

THIS DRAWING IS UNPUBLISHED.

RELEASED FOR PUBLICATION

ALL RIGHTS RESERVED.

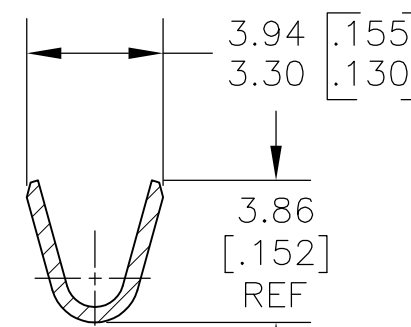
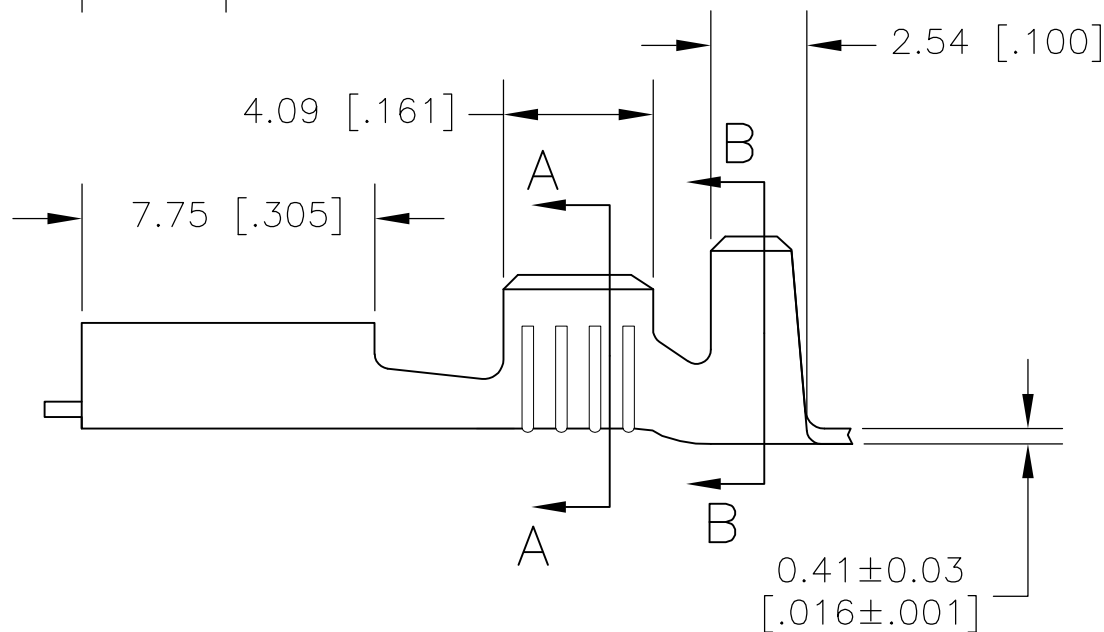
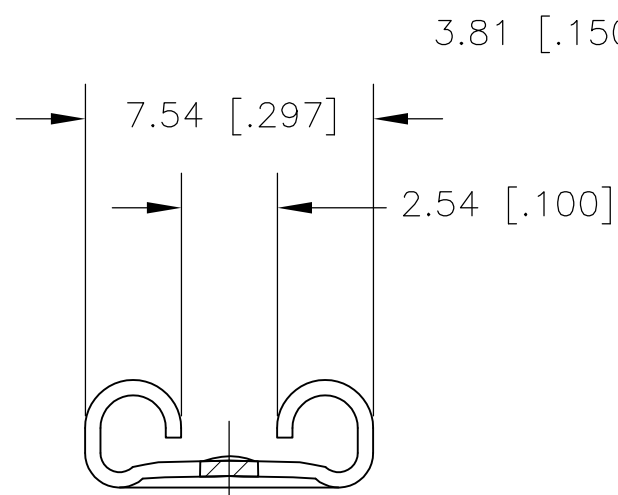
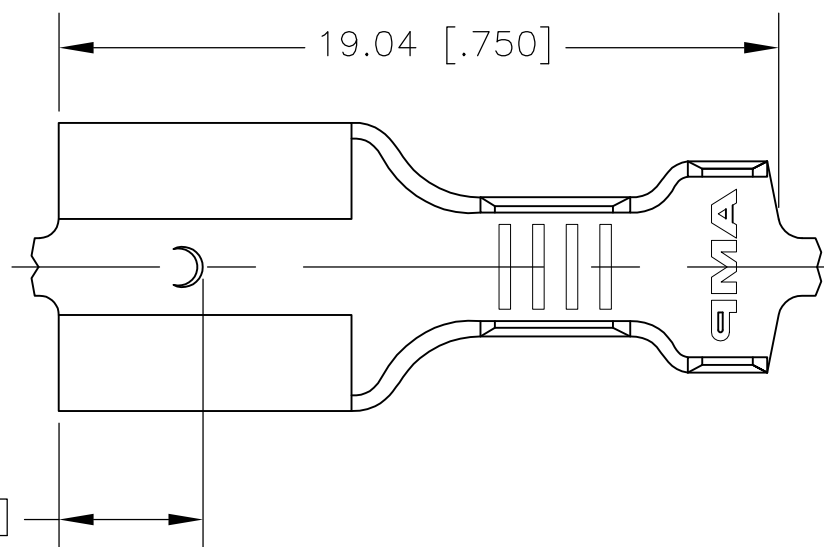
© COPYRIGHT - By -

LOC AF DIST 50

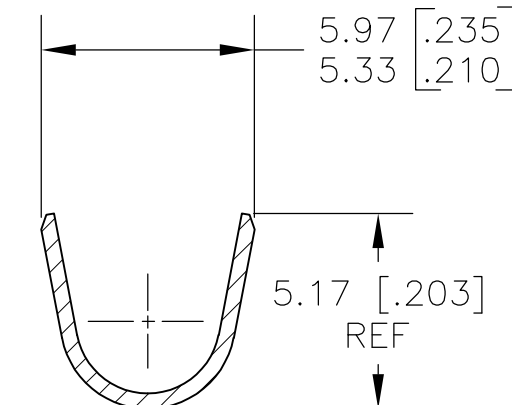
REVISIONS

P	LTR	DESCRIPTION	DATE	DWN	APVD
J		REVISED PER ECO-13-017339	05NOV13	JR	PD

- 1 CONTINUOUS STRIP ON REELS AT A FEED OF 21.33 ± 0.13 [$.840 \pm .005$].
- 2 MATING TAB THK IS 0.81 ± 0.03 [$.032 \pm .001$]
- 3 WIRE SIZE IS #18-#14 AWG
- 4 INSULATION RANGE IS 3.05-4.32 [$.120-.170$] DIA




SECTION A-A



SECTION B-B

TIN	60650-2
-	60650-1
FINISH	PART NO

THIS DRAWING IS A CONTROLLED DOCUMENT.		DWN jr_ruth 30JAN08	 TE Connectivity RECEPTACLE, FASTON, .250 SERIES			
DIMENSIONS: MM [INCHES]		CHK P_DESANTIS 30JAN08				NAME
TOLERANCES UNLESS OTHERWISE SPECIFIED:		APVD P_DESANTIS 30JAN08				SIZE
0 PLC ± - 1 PLC ± - 2 PLC ± 0.38 [.015] 3 PLC ± - 4 PLC ± - ANGLES ± 5°		PRODUCT SPEC				CAGE CODE
MATERIAL BRASS		FINISH SEE TABLE	APPLICATION SPEC	DRAWING NO	RESTRICTED TO	
			WEIGHT -	A300779	C-60650	
			CUSTOMER DRAWING	SCALE 5:1	SHEET 1 OF 1	
					REV J	