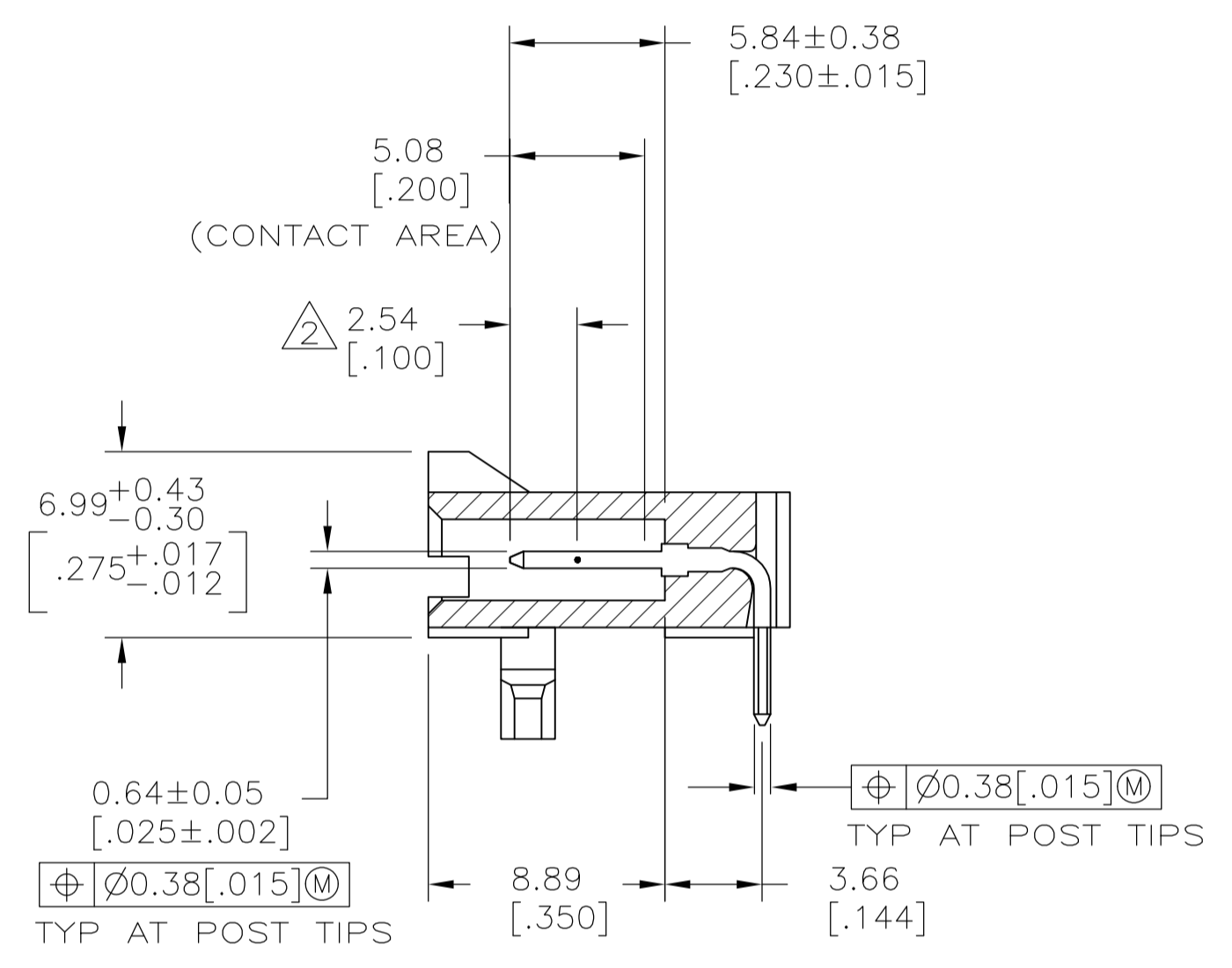
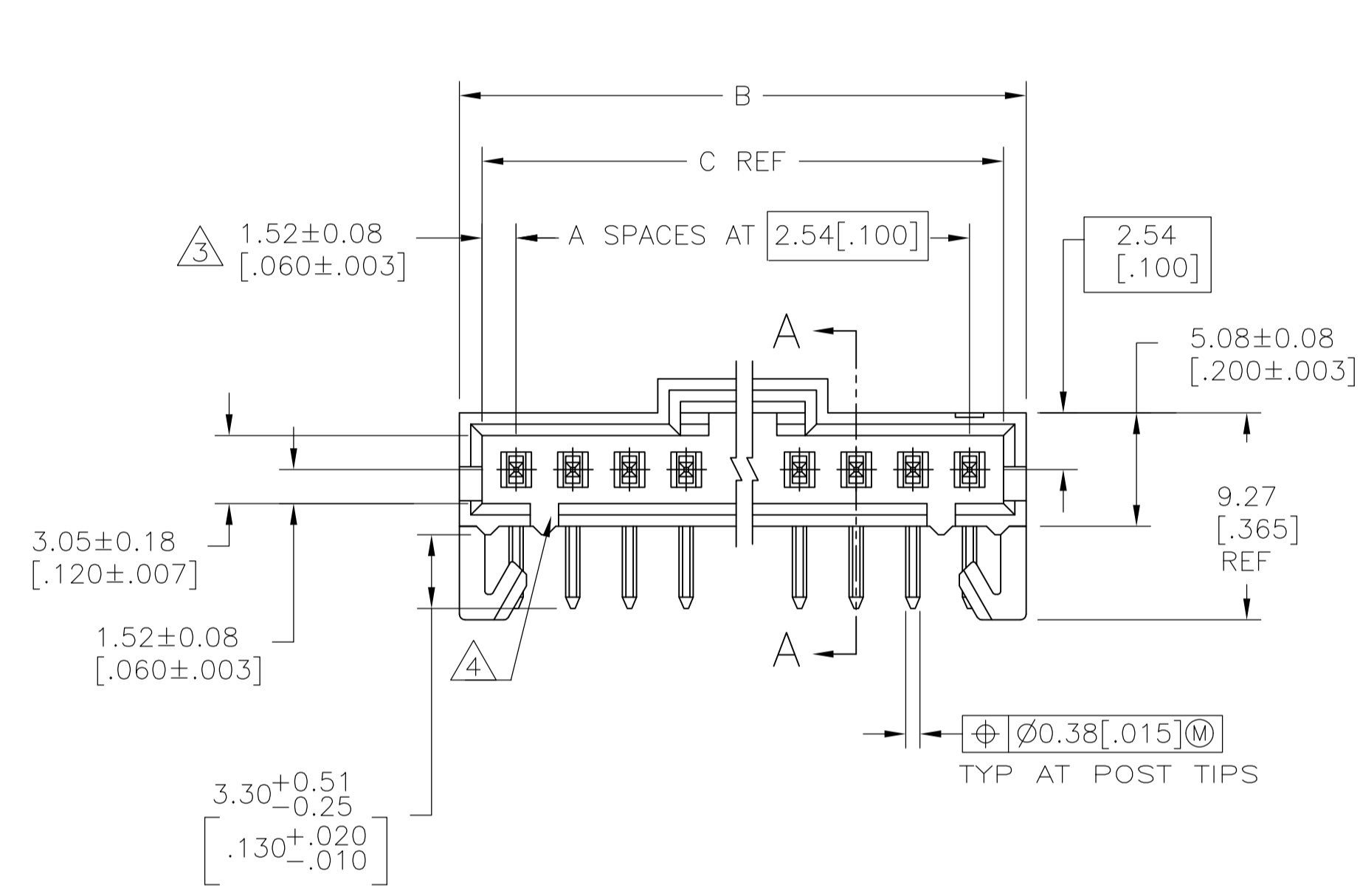
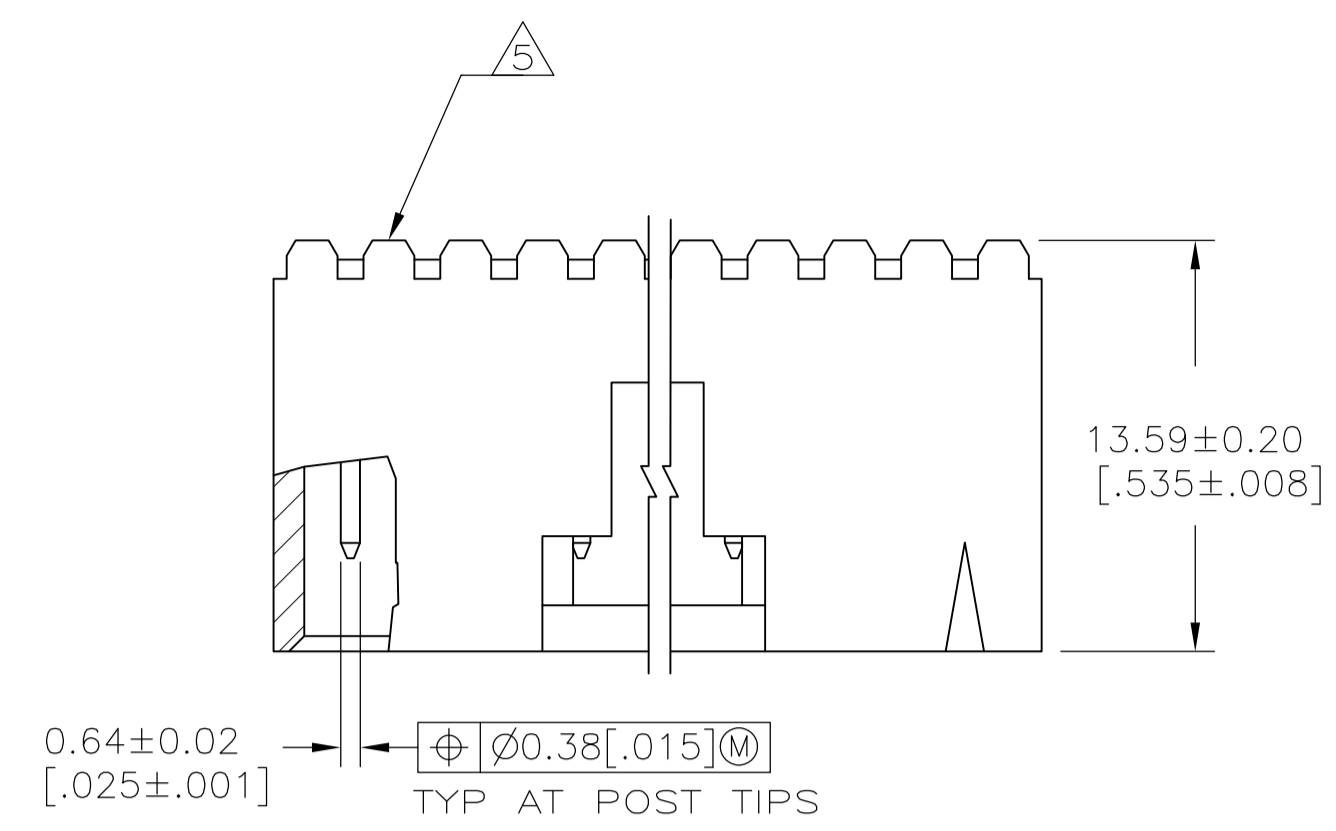
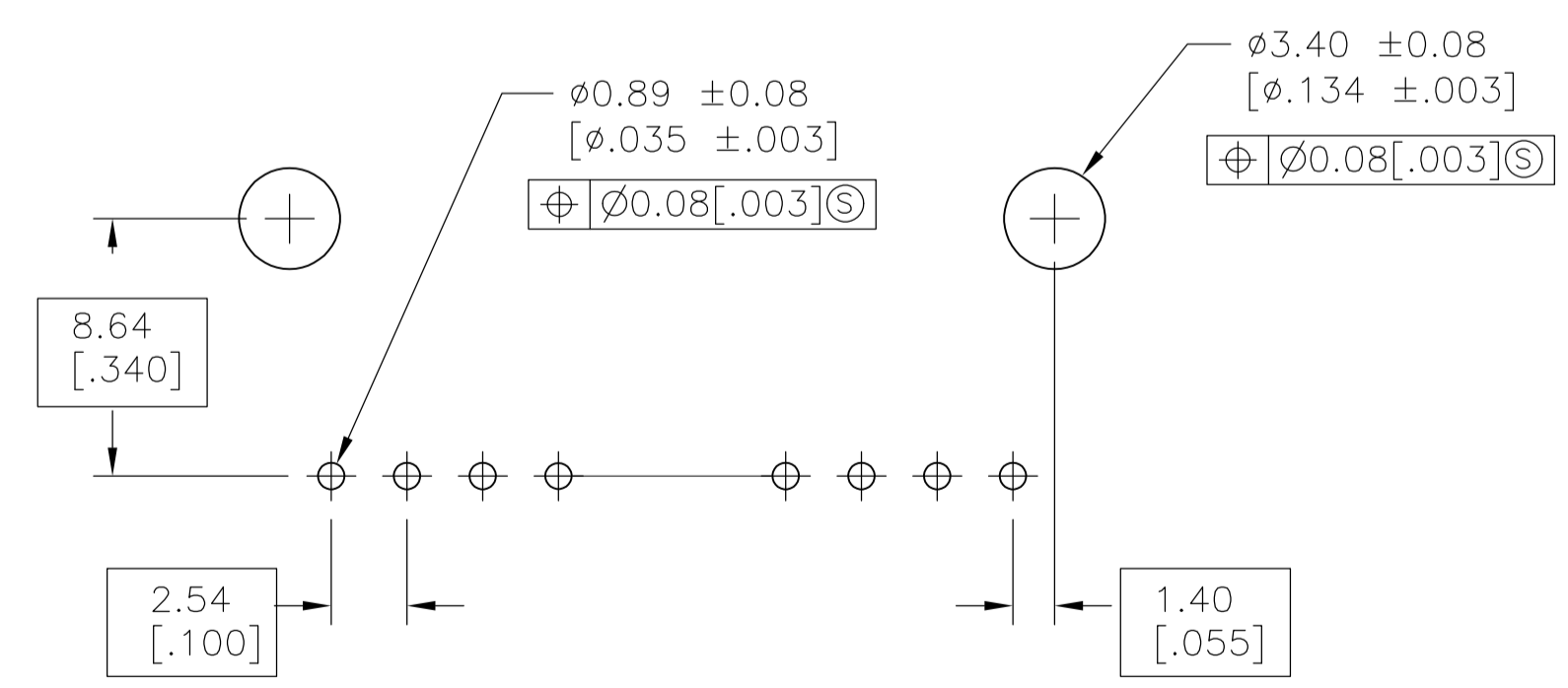


| REVISIONS |             |               |           |     |      |
|-----------|-------------|---------------|-----------|-----|------|
| P         | LTR         | DESCRIPTION   | DATE      | DMN | APVD |
| AC3       | REVISED PER | ECO-11-004587 | 11MAR11   | RK  | HMR  |
| AD        | REVISED PER | ECO-17-002583 | 08APR2017 | RS  | MM   |



SECTION A-A



RECOMMENDED HOLE LAYOUT

|  |                  |                       |                                    |
|--|------------------|-----------------------|------------------------------------|
| THIS DRAWING IS A CONTROLLED DOCUMENT. |                  | DIN R BROWN 09FEB01   | <br>TE Connectivity                |
| DIMENSIONS: mm                         |                  | CHK K WRIGHT 09FEB01  |                                    |
| TOLERANCES UNLESS OTHERWISE SPECIFIED: |                  | APVD K WRIGHT 09FEB01 | NAME                               |
| 0. PLC ± -                             |                  |                       | HDR ASSY, RTANG, SINGLE ROW        |
| 1. PLC ± -                             |                  |                       | 2.54[.100] CL, 0.64[.025] SQ POST, |
| 2. PLC ± 0.13[.005]                    |                  |                       | 108-25034                          |
| 3. PLC ± -                             |                  |                       | APPLICATION SPEC                   |
| 4. PLC ± -                             |                  |                       | 114-25026                          |
| ANGLES ± -                             |                  |                       | SIZE CAGE CODE DRAWING NO          |
| MATERIAL                               | FINISH SEE TABLE | WEIGHT                | A1 00779 C=103672                  |
|  |                  | CUSTOMER DRAWING      | SCALE 4:1 SHEET 1 OF 2 REV AD      |

| REVISIONS |     |             |      |     |      |
|-----------|-----|-------------|------|-----|------|
| P         | LTR | DESCRIPTION | DATE | DMN | APVD |
|           |     | SEE SHEET 1 | -    | -   | -    |

- ① .000100 BRIGHT TIN-LEAD OVER .000050 NICKEL.
- ② POINT OF MEASUREMENT FOR PLATING THICKNESS.
- ③ THE NOTED DIMENSIONS APPLY AT THE INTERSECTION OF THE POST AND THE HOUSING.
- ④ ON ASSEMBLIES WITH FOUR OR MORE POSITIONS, TWO POLARIZATION SLOTS.  
ON ASSEMBLIES WITH TWO OR THREE POSITIONS, ONE POLARIZATION SLOT.
- ⑤ AMP TRADEMARK MOLDED ON THIS SURFACE.
- 6. FOR USE WITH 1.57±0.20[.062±.008] PRINTED CIRCUIT BOARD.
- △ MATERIAL: HOUSING- FLAME RETARDANT LCP, COLOR-BLACK.  
POSTS- BRASS.
- ⑧ .000100 BRIGHT TIN OVER .000050 NICKEL.
- ⑨ PRELIMINARY PART - NOT RELEASED FOR PRODUCTION.
- ⑩ .000100 MATTE TIN OVER .000050 NICKEL.
- ⑪ HIGH TEMPERATURE CONFIGURATION
- ⑫ OBSOLETE PARTS: OBSOLETE CIS STREAMLINING PER D.RENAUD/D.SINISI

|         |         |                  |                  |    |             |              |
|---------|---------|------------------|------------------|----|-------------|--------------|
|         |         | 64.01<br>[2.520] | 65.91<br>[2.595] | 24 | 25          | ⑫ 7-103672-4 |
|         |         | 61.47<br>[2.420] | 63.37<br>[2.495] | 23 | 24          | ⑫ 7-103672-3 |
|         |         | 58.93<br>[2.320] | 60.83<br>[2.395] | 22 | 23          | ⑫ 7-103672-2 |
|         |         | 56.39<br>[2.220] | 58.29<br>[2.295] | 21 | 22          | ⑫ 7-103672-1 |
|         |         | 53.85<br>[2.120] | 55.75<br>[2.195] | 20 | 21          | ⑫ 7-103672-0 |
|         |         | 51.31<br>[2.020] | 53.21<br>[2.095] | 19 | 20          | 6-103672-9   |
|         |         | 48.77<br>[1.920] | 50.67<br>[1.995] | 18 | 19          | ⑫ 6-103672-8 |
|         |         | 46.23<br>[1.820] | 48.13<br>[1.895] | 17 | 18          | ⑫ 6-103672-7 |
|         |         | 43.69<br>[1.720] | 45.59<br>[1.795] | 16 | 17          | ⑫ 6-103672-6 |
|         |         | 41.15<br>[1.620] | 43.05<br>[1.695] | 15 | 16          | 6-103672-5   |
|         |         | 38.61<br>[1.520] | 40.51<br>[1.595] | 14 | 15          | ⑫ 6-103672-4 |
|         |         | 36.07<br>[1.420] | 37.97<br>[1.495] | 13 | 14          | ⑫ 6-103672-3 |
|         |         | 33.53<br>[1.320] | 35.43<br>[1.395] | 12 | 13          | ⑫ 6-103672-2 |
|         |         | 30.99<br>[1.220] | 32.89<br>[1.295] | 11 | 12          | 6-103672-1   |
|         |         | 28.45<br>[1.120] | 30.35<br>[1.195] | 10 | 11          | ⑫ 6-103672-0 |
|         |         | 25.91<br>[1.020] | 27.81<br>[1.095] | 9  | 10          | 5-103672-9   |
|         |         | 23.37<br>[.920]  | 25.27<br>[0.995] | 8  | 9           | ⑫ 5-103672-8 |
|         |         | 20.83<br>[.820]  | 22.73<br>[.895]  | 7  | 8           | 5-103672-7   |
|         |         | 18.29<br>[.720]  | 20.19<br>[.795]  | 6  | 7           | 5-103672-6   |
|         |         | 15.75<br>[.620]  | 17.65<br>[.695]  | 5  | 6           | 5-103672-5   |
|         |         | 13.21<br>[.520]  | 15.11<br>[.595]  | 4  | 5           | 5-103672-4   |
|         |         | 10.67<br>[.420]  | 12.57<br>[.495]  | 3  | 4           | 5-103672-3   |
|         |         | 8.13<br>[.320]   | 10.03<br>[.395]  | 2  | 3           | 5-103672-2   |
|         |         | 5.59<br>[.220]   | 7.49<br>[.295]   | 1  | 2           | 5-103672-1   |
| REMARKS | PLATING | C                | B                | A  | NO. OF POSN | PART NO.     |

|         |         |                  |                  |    |             |              |
|---------|---------|------------------|------------------|----|-------------|--------------|
|         |         | 25.91<br>[1.020] | 27.81<br>[1.095] | 9  | 10          | 3-103672-0   |
|         |         | 15.75<br>[.620]  | 17.65<br>[.695]  | 5  | 6           | 2-103672-9   |
|         |         | 5.59<br>[.220]   | 7.49<br>[.295]   | 1  | 2           | 2-103672-8   |
|         |         | 13.21<br>[.520]  | 15.11<br>[.595]  | 4  | 5           | 2-103672-7   |
|         |         | 10.67<br>[.420]  | 12.57<br>[.495]  | 3  | 4           | 2-103672-6   |
|         |         | 8.13<br>[.320]   | 10.03<br>[.395]  | 2  | 3           | 2-103672-5   |
|         |         | 64.01<br>[2.520] | 65.91<br>[2.595] | 24 | 25          | ⑫ 2-103672-4 |
|         |         | 61.47<br>[2.420] | 63.37<br>[2.495] | 23 | 24          | ⑫ 2-103672-3 |
|         |         | 58.93<br>[2.320] | 60.83<br>[2.395] | 22 | 23          | ⑫ 2-103672-2 |
|         |         | 56.39<br>[2.220] | 58.29<br>[2.295] | 21 | 22          | ⑫ 2-103672-1 |
|         |         | 53.85<br>[2.120] | 55.75<br>[2.195] | 20 | 21          | ⑫ 2-103672-0 |
|         |         | 51.31<br>[2.020] | 53.21<br>[2.095] | 19 | 20          | ⑫ 1-103672-9 |
|         |         | 48.77<br>[1.920] | 50.67<br>[1.995] | 18 | 19          | ⑫ 1-103672-8 |
|         |         | 46.23<br>[1.820] | 48.13<br>[1.895] | 17 | 18          | ⑫ 1-103672-7 |
|         |         | 43.69<br>[1.720] | 45.59<br>[1.795] | 16 | 17          | ⑫ 1-103672-6 |
|         |         | 41.15<br>[1.620] | 43.05<br>[1.695] | 15 | 16          | 1-103672-5   |
|         |         | 38.61<br>[1.520] | 40.51<br>[1.595] | 14 | 15          | 1-103672-4   |
|         |         | 36.07<br>[1.420] | 37.97<br>[1.495] | 13 | 14          | ⑫ 1-103672-3 |
|         |         | 33.53<br>[1.320] | 35.43<br>[1.395] | 12 | 13          | ⑫ 1-103672-2 |
|         |         | 30.99<br>[1.220] | 32.89<br>[1.295] | 11 | 12          | 1-103672-1   |
|         |         | 28.45<br>[1.120] | 30.35<br>[1.195] | 10 | 11          | 1-103672-0   |
|         |         | 25.91<br>[1.020] | 27.81<br>[1.095] | 9  | 10          | 103672-9     |
|         |         | 23.37<br>[.920]  | 25.27<br>[0.995] | 8  | 9           | 103672-8     |
|         |         | 20.83<br>[.820]  | 22.73<br>[.895]  | 7  | 8           | 103672-7     |
|         |         | 18.29<br>[.720]  | 20.19<br>[.795]  | 6  | 7           | 103672-6     |
|         |         | 15.75<br>[.620]  | 17.65<br>[.695]  | 5  | 6           | 103672-5     |
|         |         | 13.21<br>[.520]  | 15.11<br>[.595]  | 4  | 5           | 103672-4     |
|         |         | 10.67<br>[.420]  | 12.57<br>[.495]  | 3  | 4           | 103672-3     |
|         |         | 8.13<br>[.320]   | 10.03<br>[.395]  | 2  | 3           | 103672-2     |
|         |         | 5.59<br>[.220]   | 7.49<br>[.295]   | 1  | 2           | 103672-1     |
| REMARKS | PLATING | C                | B                | A  | NO. OF POSN | PART NO.     |

THIS DRAWING IS A CONTROLLED DOCUMENT.

|             |  |                      |                       |                                     |
|-------------|--|----------------------|-----------------------|-------------------------------------|
| DIMENSIONS: | TOLERANCES UNLESS OTHERWISE SPECIFIED: | DIN R BROWN 09FEB01  | APVD K WRIGHT 09FEB01 | NAME                                |
| mm          | 0 PLC ± -                              | CHK K WRIGHT 09FEB01 | APVD K WRIGHT 09FEB01 | HDR ASSY, RTANG, SINGLE ROW         |
|             | 1 PLC ± -                              |                      |                       | 2.54[.100] CL, 0.64[.025] SQ POST.  |
|             | 2 PLC ± 0.13[.005]                     |                      |                       | WITH PLZN & HOLD DOWNS, AMPMODU MTE |
|             | 3 PLC ± -                              |                      |                       | PRODUCT SPEC                        |
|             | 4 PLC ± -                              |                      |                       | 108-25034                           |
|             | ANGLES ± -                             |                      |                       | APPLICATION SPEC                    |
| MATERIAL    | FINISH SEE TABLE                       | SIZE 114-25026       | SCALE CODE DRAWING NO | RESTRICTED TO                       |
| △           |  | WEIGHT A1            | 00779                 | 103672                              |
|             |  | CUSTOMER DRAWING     | SCALE 4:1             | SHEET 2 OF 2                        |

STE TE Connectivity