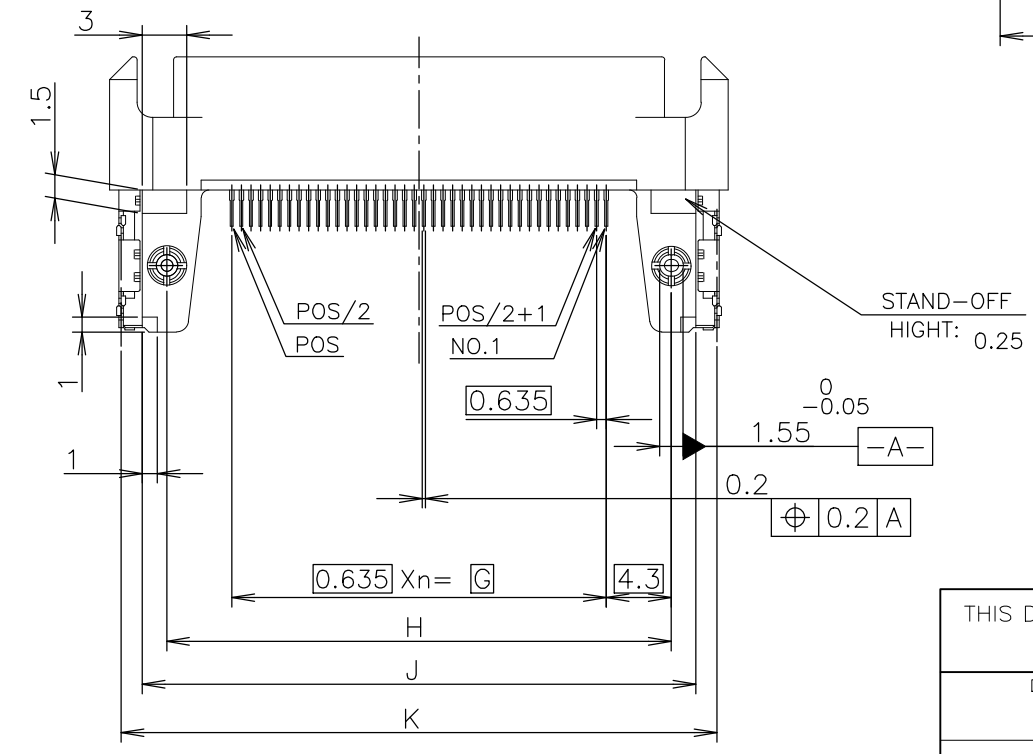
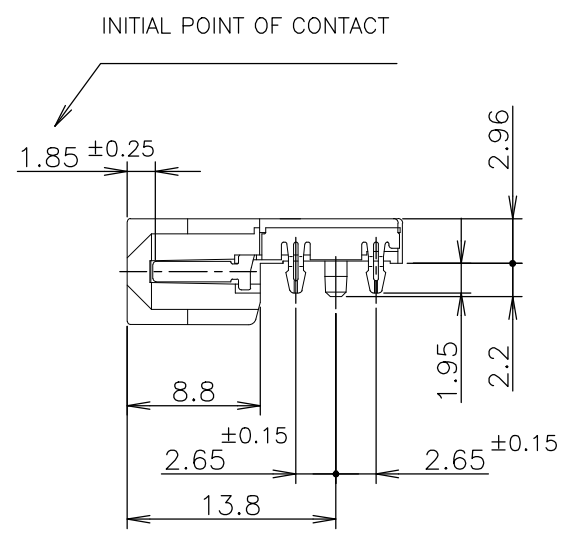
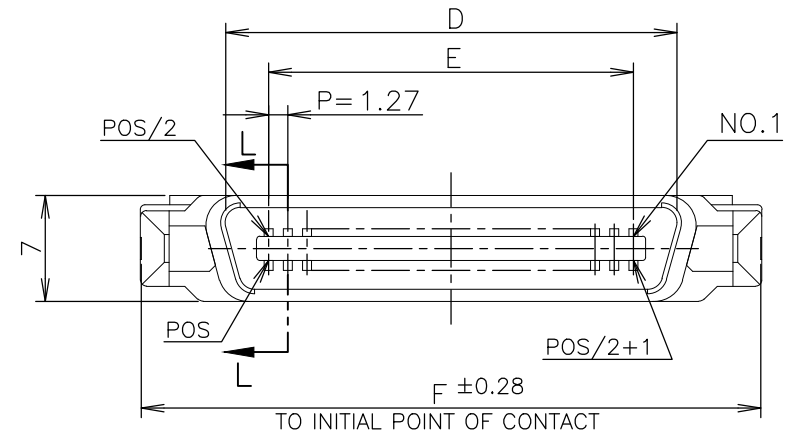
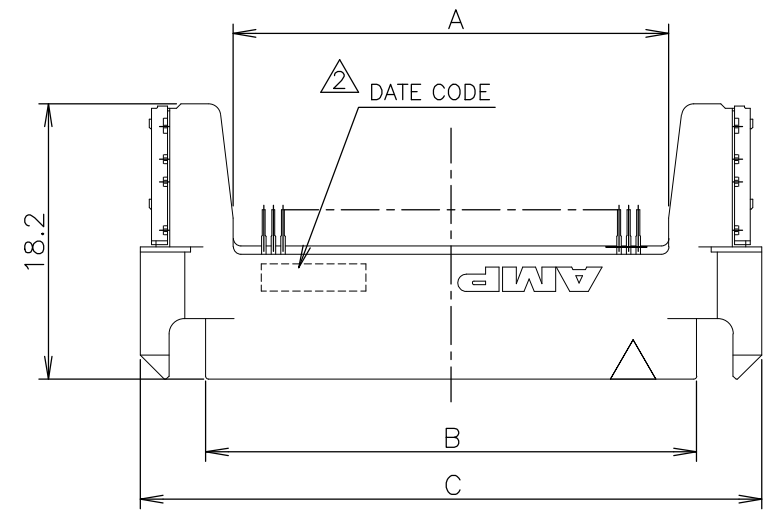


THIS DRAWING IS UNPUBLISHED. RELEASED FOR PUBLICATION .OCT 1997
 © COPYRIGHT 1997 By - ALL RIGHTS RESERVED.

LOC	DIST	REVISIONS			
P	LTR	DESCRIPTION	DATE	DWN	APVD
J		B	REVISED PER ECO-19-004724	22APR19	SH SH



- ① MATERIAL
 - (1) HOUSING: LCP(UL94V-0, BLACK)
 - (2) CONTACT: PHOSPHOR BRONZE
FINISH: CONTACT AREA: Au PL. OVER 0.001 MIN. Ni PL.
SOLDERING AREA: 0.001 MIN. TIN OVER 0.001 MIN. Ni PL.
 - (3) G-CONT. WITH RETENTION-LEG: BRASS
FINISH: 0.001 MIN. TIN PL. OVER 0.001 MIN. Ni PL.
- ② INDICATE DATE CODE.
- ③ THIS DIM. IS 1.6±0.08 WHEN THE CONTACT PUSH TO HOUSING.

OBSELETE	PART NO.	Au PL.	POS	n	A	B	C	D	E	F	G	H	J	K
	6123283-9	0.0002	80	79	54.2	57.87	66.5	55.27	49.53	66.4	50.165	58.765	62.0	64.7
	5-6123283-5	0.00076	40	39	28.8	32.47	41.1	29.87	24.13	41.0	24.765	33.365	36.6	39.3
	6123283-5	0.0002	40	39	28.8	32.47	41.1	29.87	24.13	41.0	24.765	33.365	36.6	39.3

GENERAL TOLERANCE
 10 ≥ * : ± 0.2
 30 ≥ * > 10 : ± 0.25
 100 ≥ * > 30 : ± 0.3
 ANGLES: ± 3°

THIS DRAWING IS A CONTROLLED DOCUMENT.

DIMENSIONS: mm

TOLERANCES UNLESS OTHERWISE SPECIFIED:

0 PLC	±
1 PLC	±
2 PLC	±
3 PLC	±
4 PLC	±
ANGLES	±
FINISH	±

MATERIAL ①

FINISH ①

DWN WENKE HE 9MAR05
 CHK STEVEN YAO 9MAR05
 APVD I.ENOMOTO 9MAR05
 NAME I.ENOMOTO
 PRODUCT SPEC
 APPLICATION SPEC
 WEIGHT

STE TE Connectivity

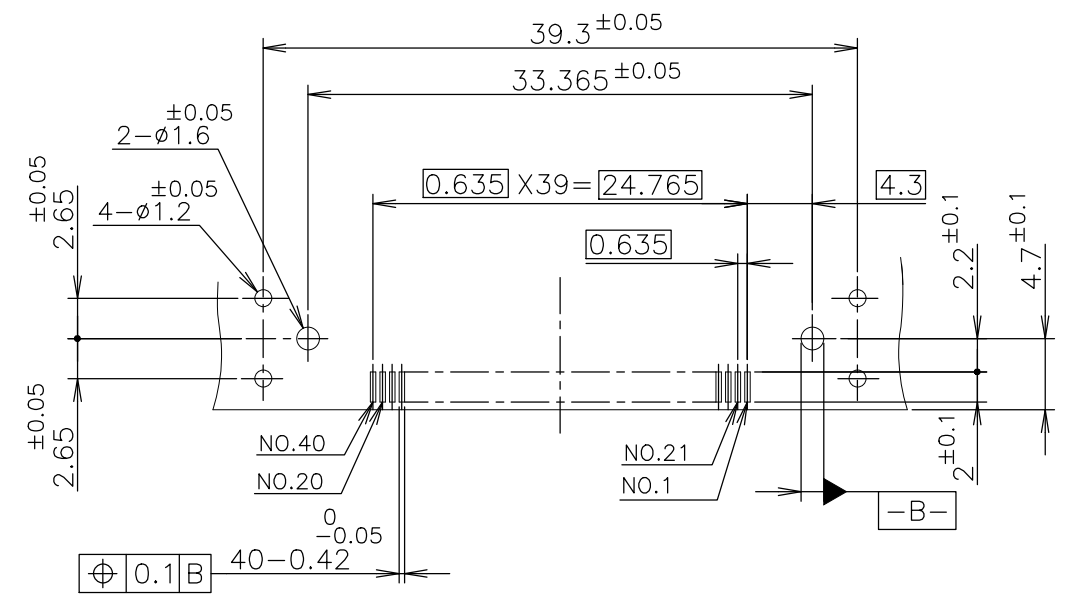
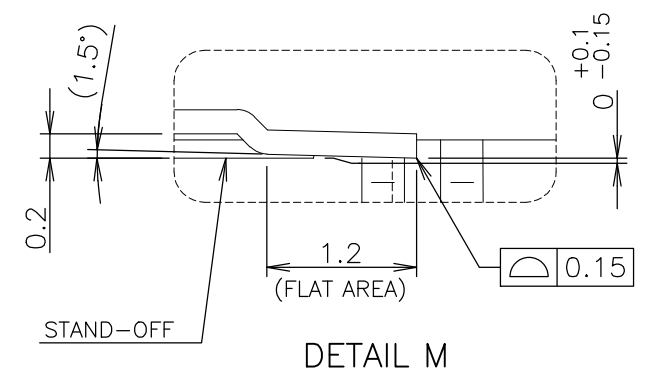
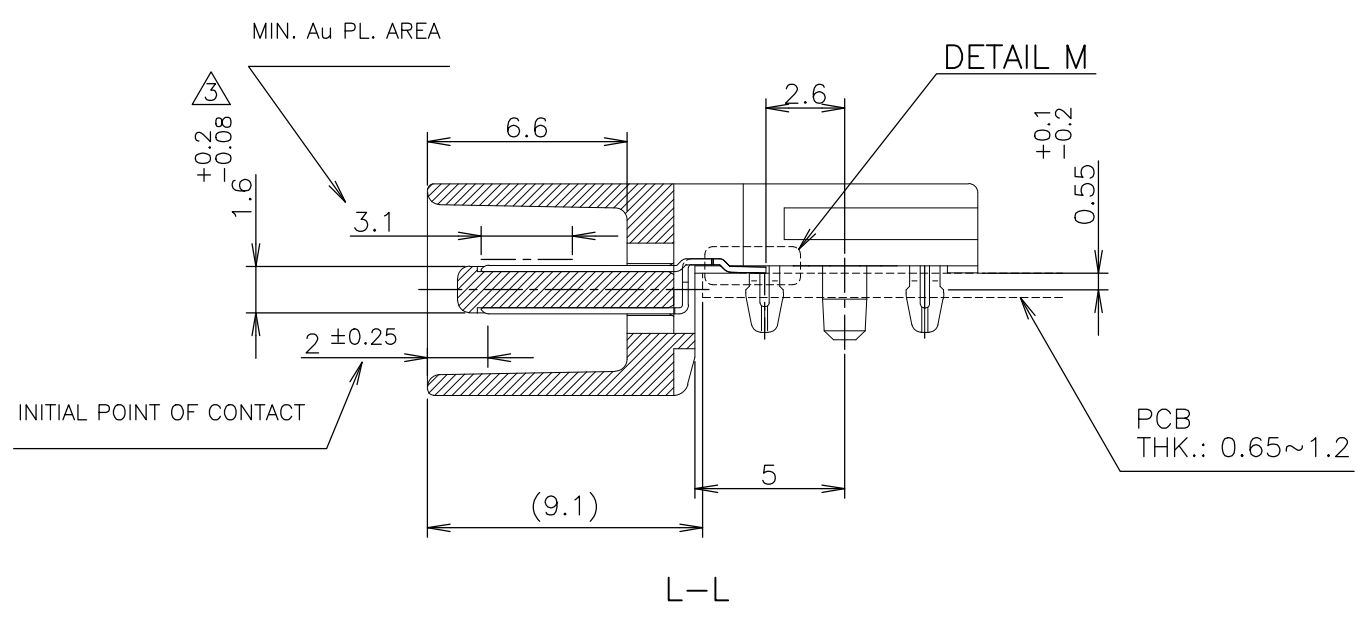
PLUG ASSY SMT TYPE, CHAMP.050 I
 BLINDMATE WITH G-CONT. P.C.B. t=0.8mm

SIZE	CAGE CODE	DRAWING NO	RESTRICTED TO
A3	00779	C-6123283	

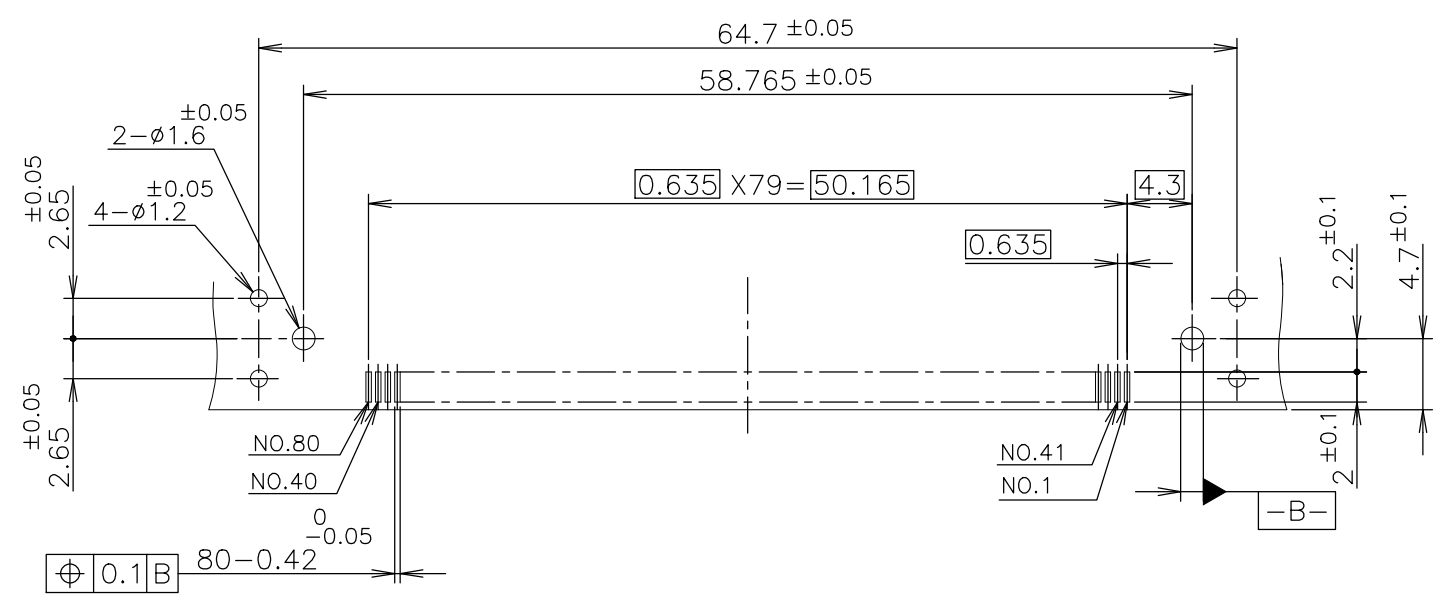
CUSTOMER DRAWING SCALE NTS SHEET 1 OF 2 REV B

THIS DRAWING IS UNPUBLISHED. RELEASED FOR PUBLICATION .OCT 1997
 © COPYRIGHT 1997 By - ALL RIGHTS RESERVED.

LOC	DIST	REVISIONS			
P	LTR	DESCRIPTION	DATE	DWN	APVD
		SEE SHEET 1	-	-	-



40P



80P

RECOMMENDED PCB LAYOUT

GENERAL TOLERANCE
 $10 \geq * : \pm 0.2$
 $30 \geq * > 10 : \pm 0.25$
 $100 \geq * > 30 : \pm 0.3$
 ANGLES: $\pm 3^\circ$

THIS DRAWING IS A CONTROLLED DOCUMENT.	
DIMENSIONS: mm	TOLERANCES UNLESS OTHERWISE SPECIFIED:
	0 PLC \pm
	1 PLC \pm
	2 PLC \pm
	3 PLC \pm
	4 PLC \pm
	ANGLES \pm
MATERIAL	FINISH \pm

DWN	TE Connectivity		
CHK			
APVD	NAME		
PRODUCT SPEC	PLUG ASSY SMT TYPE, CHAMP.050 I BLINDMATE WITH G-CONT. P.C.B. t=0.8mm		
APPLICATION SPEC	SIZE	CAGE CODE	DRAWING NO
WEIGHT	A3	00779	G-6123283
CUSTOMER DRAWING	SCALE	SHEET	REV
	NTS	2 OF 2	A1