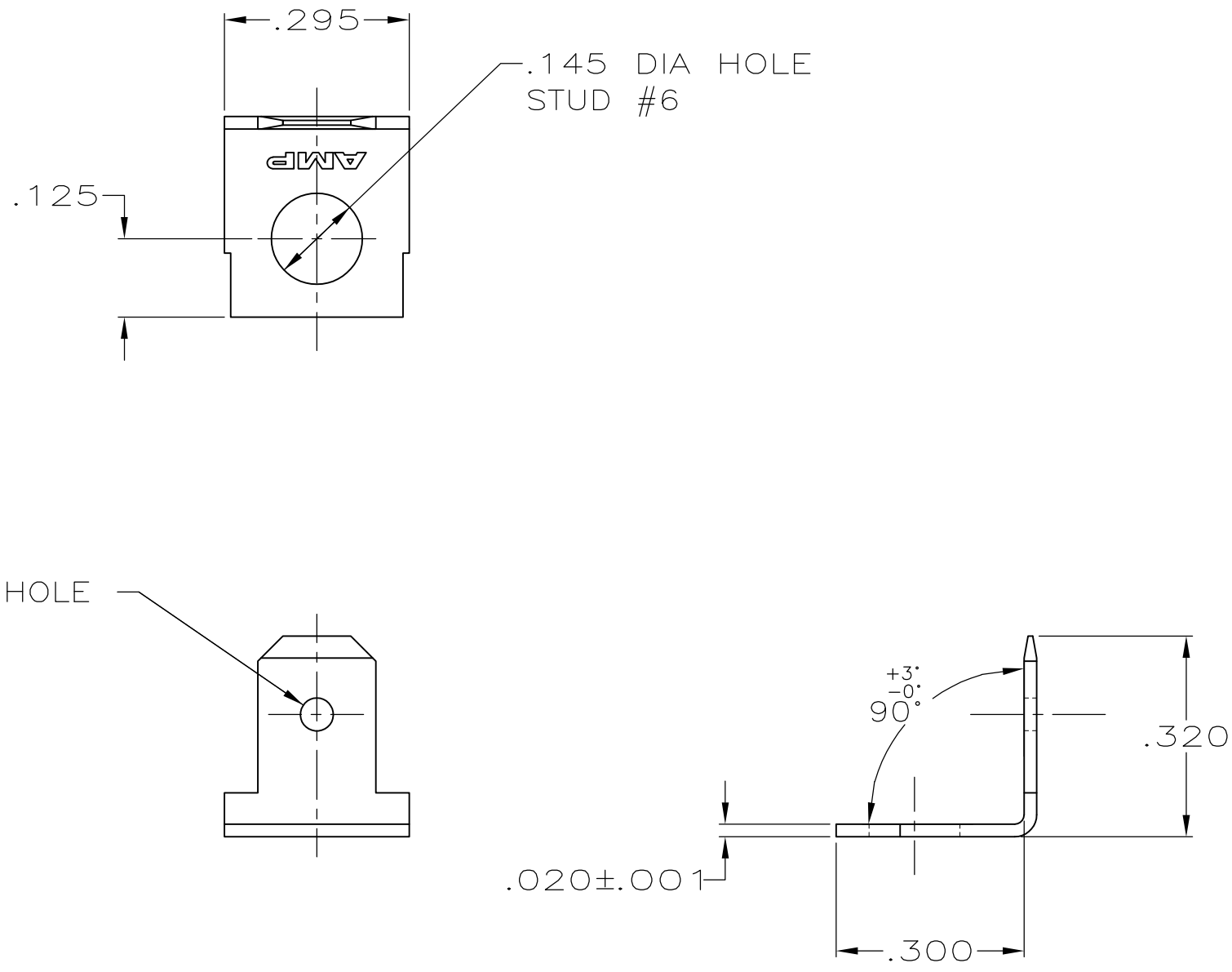



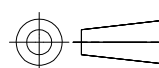
THIS DRAWING IS UNPUBLISHED. RELEASED FOR PUBLICATION
 © COPYRIGHT - By - ALL RIGHTS RESERVED.

LOC	DIST	REVISIONS			
P	LTR	DESCRIPTION	DATE	DWN	APVD
AF	50	M	REVISED PER ECR-13-011489	05DEC2013	KH PD

1 SUPPLIED IN LOOSE PIECE.



61407-3
PART NO.

THIS DRAWING IS A CONTROLLED DOCUMENT.		DWN	JR RUTH	3/6/97	 TE Connectivity							
DIMENSIONS: INCHES		CHK	MS FEHER	3/6/97								
		APVD	P DESANTIS	3/6/97								
TOLERANCES UNLESS OTHERWISE SPECIFIED: 0 PLC ± - 1 PLC ± - 2 PLC ± - 3 PLC ± .015 4 PLC ± - ANGLES ± -		PRODUCT SPEC	NAME									
MATERIAL	BRASS	FINISH	TIN	APPLICATION SPEC	TAB, FASTON, .187 SERIES							
CUSTOMER DRAWING		WEIGHT	-		SIZE	A3	CAGE CODE	00779	DRAWING NO	C-61407	RESTRICTED TO	-
		SCALE		4:1	SHEET	1	OF	1	REV	M		