

THIS DRAWING IS UNPUBLISHED.

RELEASED FOR PUBLICATION

ALL RIGHTS RESERVED.

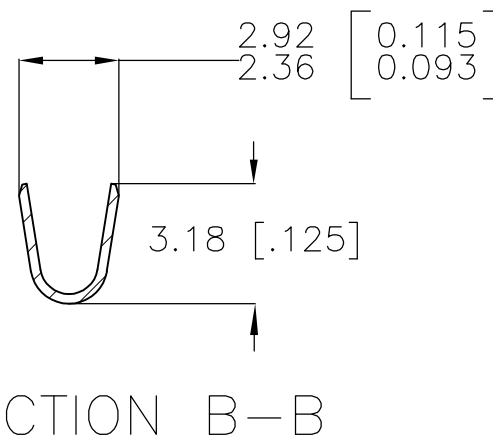
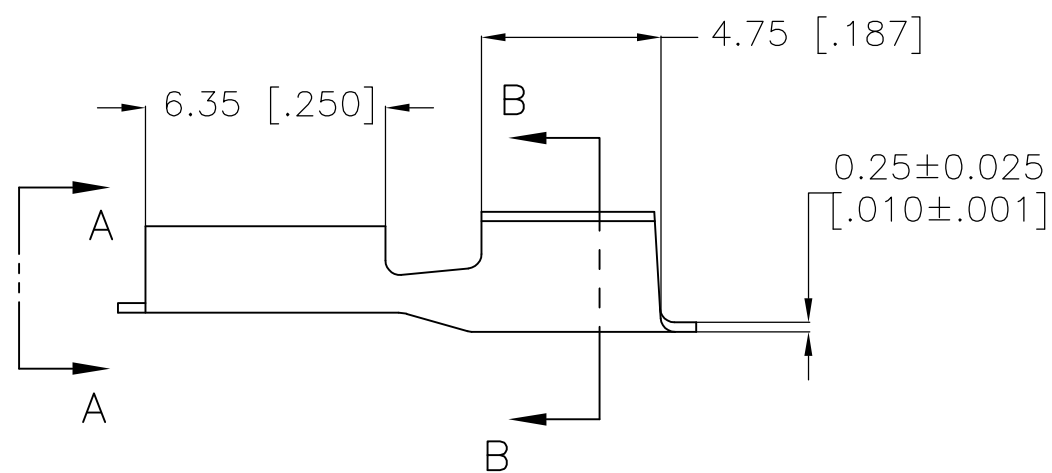
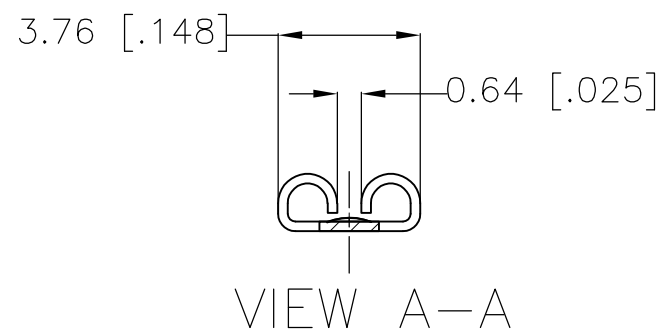
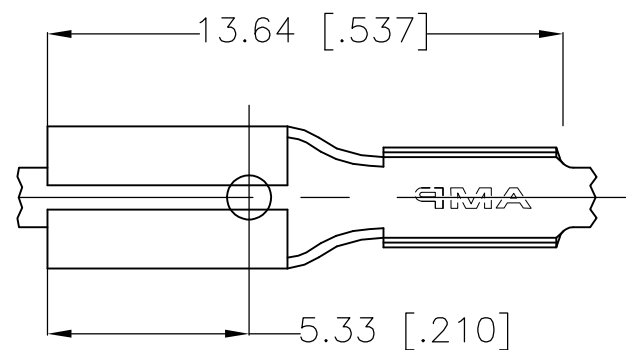
© COPYRIGHT - By -

LOC AF DIST 50

REVISIONS

P	LTR	DESCRIPTION	DATE	DWN	APVD
	D1	REVISED PER ECR-14-004075	24MAR2014	NK	RL

- △1 CONTINUOUS STRIP ON REELS
- △2 REELED ON PLASTIC REELS
- △3 FINISH LEAD-FREE, MATTE TIN OVER NICKEL



[20-16] AWG	0.41±0.025 [.016±.001]	△3	61457-3
		PRE-TIN	△2 61457-2
		PRE-TIN	61457-1
WIRE SIZE	MATING TAB THK	FINISH	PART NO.

THIS DRAWING IS A CONTROLLED DOCUMENT.		DWN JR RUTH 30NOV00	TE Connectivity RECEPTACLE, FASTON, 2.79 [.110] SERIES				
DIMENSIONS: mm [INCHES]		CHK MS FEHER 30NOV00				NAME	RESTRICTED TO
TOLERANCES UNLESS OTHERWISE SPECIFIED:		APVD P DESANTIS 30NOV00				SIZE	CAGE CODE
0 PLC ± - 1 PLC ± - 2 PLC ± 0.38 [.015] 3 PLC ± - 4 PLC ± - ANGLES ± -		PRODUCT SPEC				DRAWING NO	REV
MATERIAL BRASS	FINISH SEE TABLE	APPLICATION SPEC	WEIGHT -	A300779	C-61457		
CUSTOMER DRAWING			SCALE 5:1	SHEET 1 OF 1	REV D1		