

THIS DRAWING IS UNPUBLISHED.

RELEASED FOR PUBLICATION

---

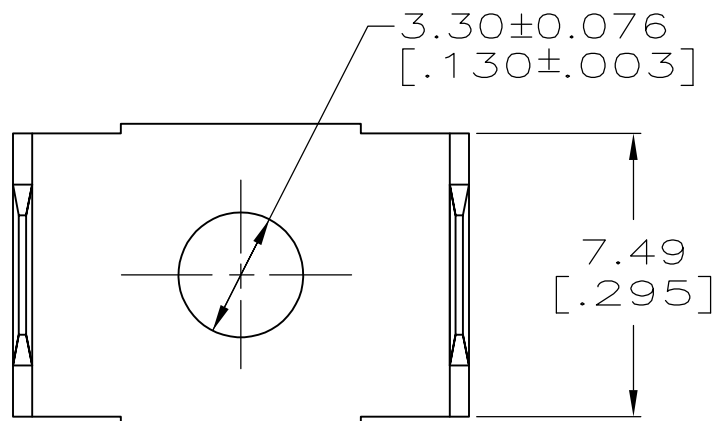
© COPYRIGHT - By -

ALL RIGHTS RESERVED.

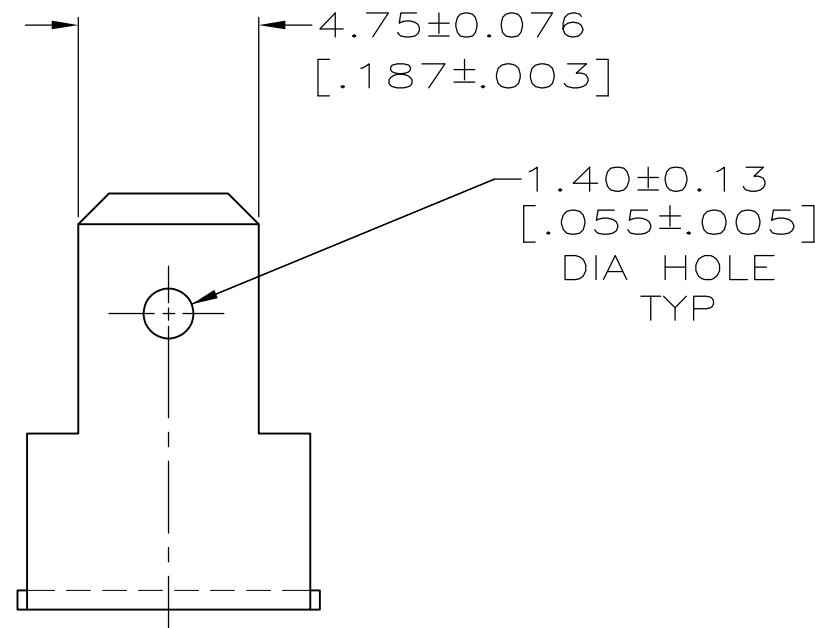
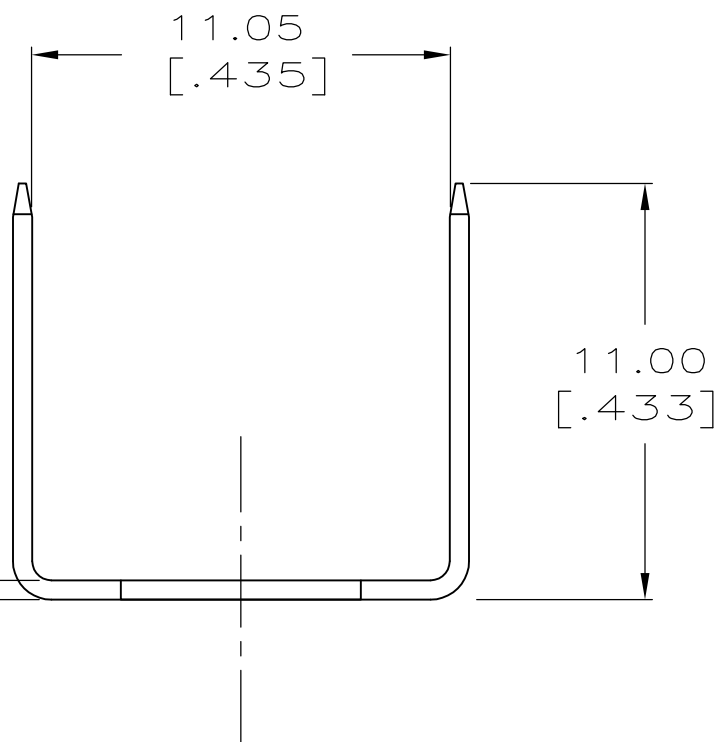
LOC  
AF DIST  
50

REVISIONS

P	LTR	DESCRIPTION	DATE	DWN	APVD
	D	REVISED PER ECR-13-011489	05DEC2013	KH	PD




1 CONTINUOUS STRIP ON REELS.



61951-1

PART NO.

THIS DRAWING IS A CONTROLLED DOCUMENT.		DWN JR RUTH 30JUN99	 <b>TE Connectivity</b>														
DIMENSIONS: mm [INCHES]		CHK MS FEHER 30JUN99															
TOLERANCES UNLESS OTHERWISE SPECIFIED:		APVD P DESANTIS 30JUN99	NAME														
<table border="0"> <tr><td>0 PLC</td><td>± -</td></tr> <tr><td>1 PLC</td><td>± -</td></tr> <tr><td>2 PLC</td><td>± 0.38 [.015]</td></tr> <tr><td>3 PLC</td><td>± -</td></tr> <tr><td>4 PLC</td><td>± -</td></tr> <tr><td>ANGLES</td><td>± -</td></tr> </table>		0 PLC	± -	1 PLC	± -	2 PLC	± 0.38 [.015]	3 PLC	± -	4 PLC	± -	ANGLES	± -	PRODUCT SPEC -	TAB, FASTON, .187 SERIES		
0 PLC	± -																
1 PLC	± -																
2 PLC	± 0.38 [.015]																
3 PLC	± -																
4 PLC	± -																
ANGLES	± -																
MATERIAL BRASS		FINISH TIN	APPLICATION SPEC -	SIZE A3	CAGE CODE 00779	DRAWING NO C-61951	RESTRICTED TO -										
CUSTOMER DRAWING			WEIGHT -	SCALE 5:1	SHEET 1 OF 1	REV D											