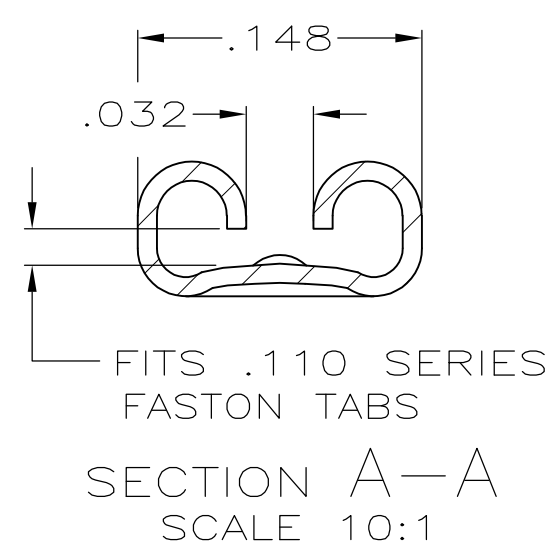
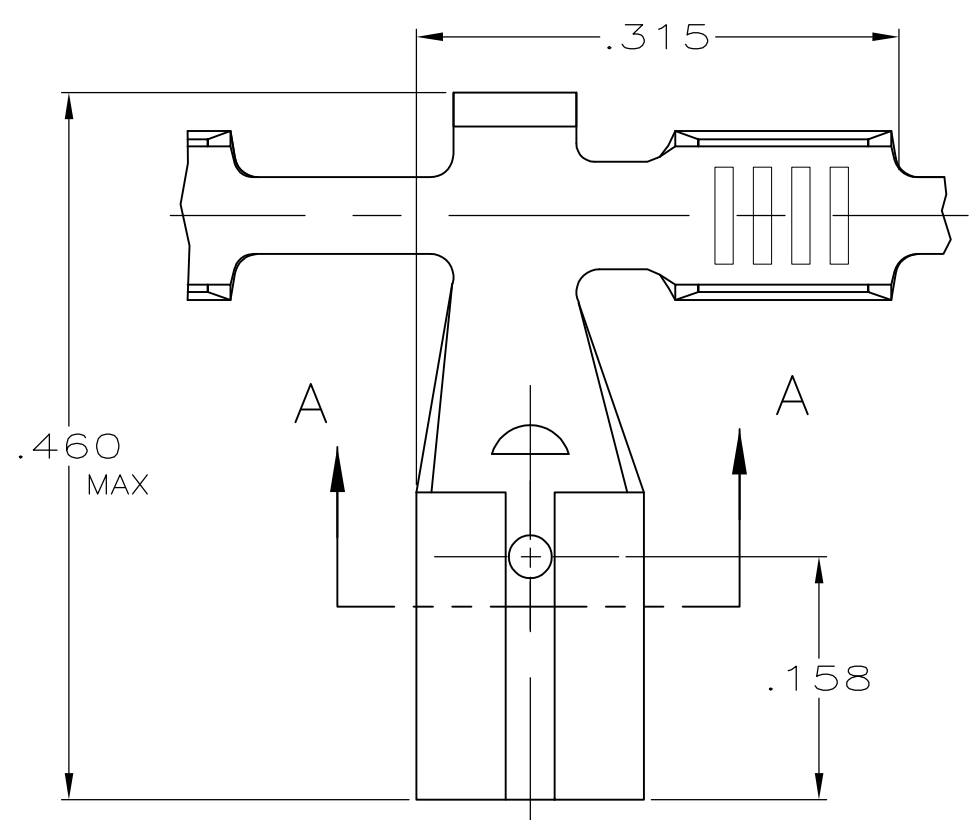
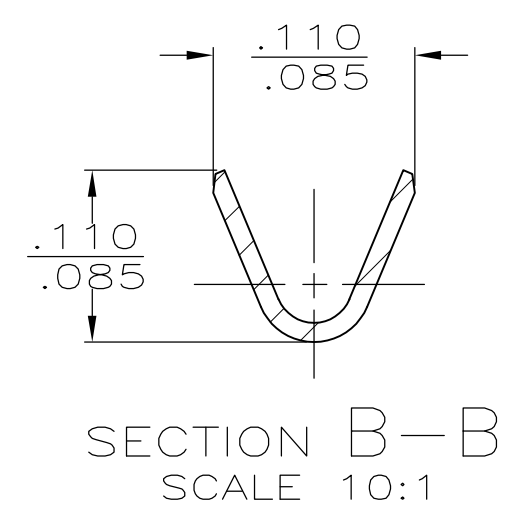
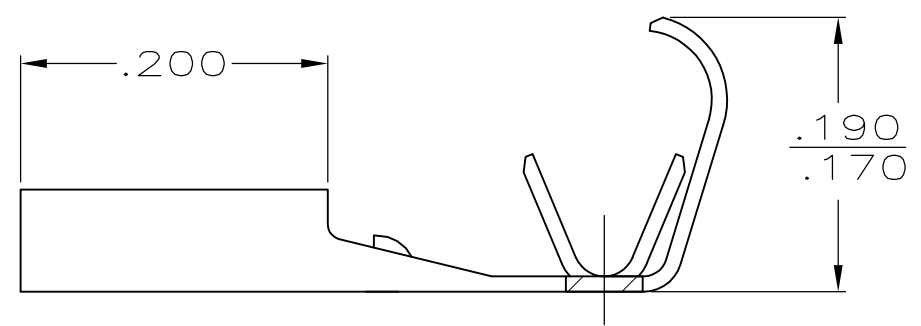
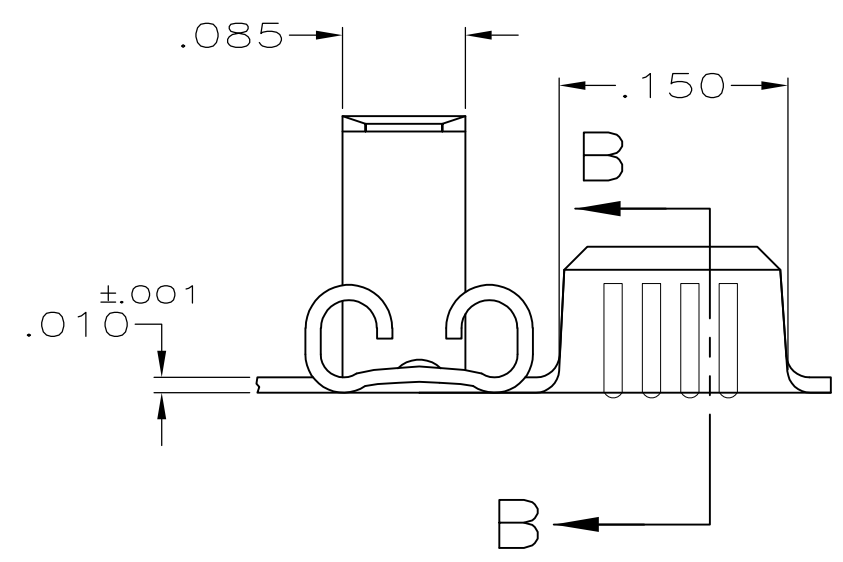


THIS DRAWING IS UNPUBLISHED. RELEASED FOR PUBLICATION  
 © COPYRIGHT - By - ALL RIGHTS RESERVED.

LOC	DIST	REVISIONS					
AF	50	P	LTR	DESCRIPTION	DATE	DWN	APVD
		L		REVISED PER ECR-12-013459	28NOV2012	KH	PD



1 CONTINUOUS STRIP ON REELS  
 2 TO BE REELED WITH PAPER.



OBSOLETE	#4H BRASS				-61971-3-2
OBSOLETE	T4 PHOS BRZ.	.065-.100 DIA	22-18 AWG	.032	-61971-2-
	BRASS				61971-1
	MATERIAL	INSULATION RANGE	WIRE SIZE	MATING TAB THK ±.001	PART NO

THIS DRAWING IS A CONTROLLED DOCUMENT.		DWN	JR RUTH	4/24/91	TE Connectivity RECEPTACLE, FASTON, FLAG, .110 SERIES												
DIMENSIONS: INCHES		CHK	MS FEHER	4/24/91				NAME									
TOLERANCES UNLESS OTHERWISE SPECIFIED:		APVD	C MEYERS	4/24/91				PRODUCT SPEC									
0 PLC ± - 1 PLC ± - 2 PLC ± - 3 PLC ± .015 4 PLC ± - ANGLES ± -		APPLICATION SPEC		RESTRICTED TO													
MATERIAL	SEE TABLE	FINISH	PRE-TIN	WEIGHT	-	SIZE	A3	CAGE CODE	00779	DRAWING NO	C-61971	SCALE	8:1	SHEET	1 OF 1	REV	L
CUSTOMER DRAWING												SCALE	8:1	SHEET	1 OF 1	REV	L