

THIS DRAWING IS UNPUBLISHED.

RELEASED FOR PUBLICATION

ALL RIGHTS RESERVED.

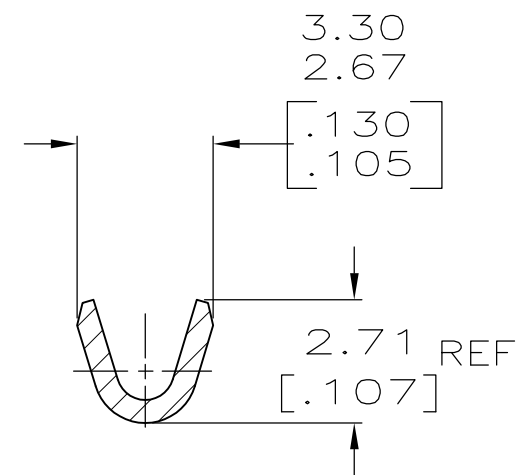
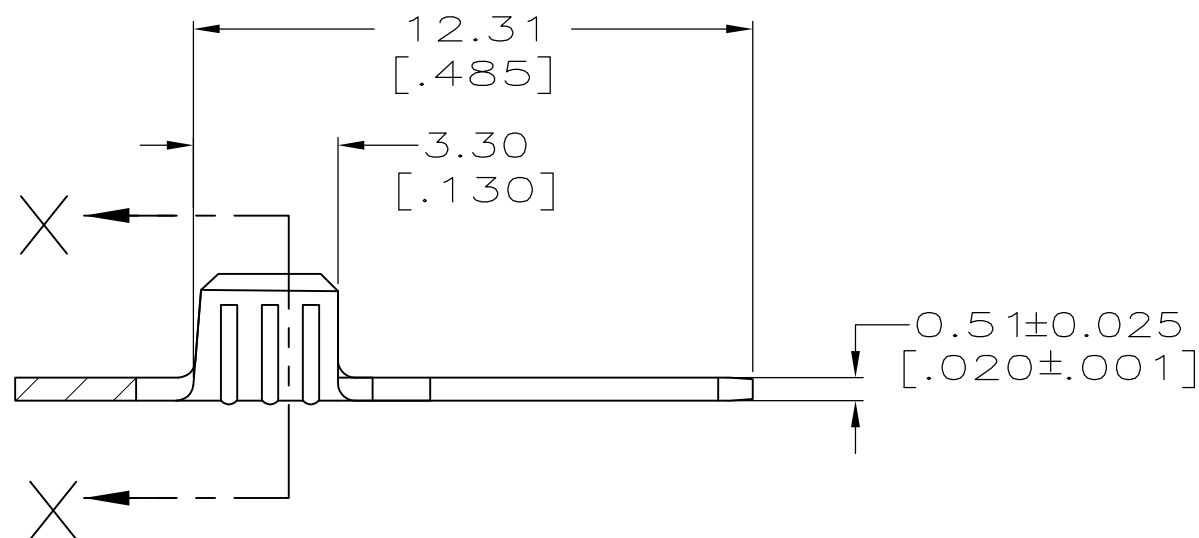
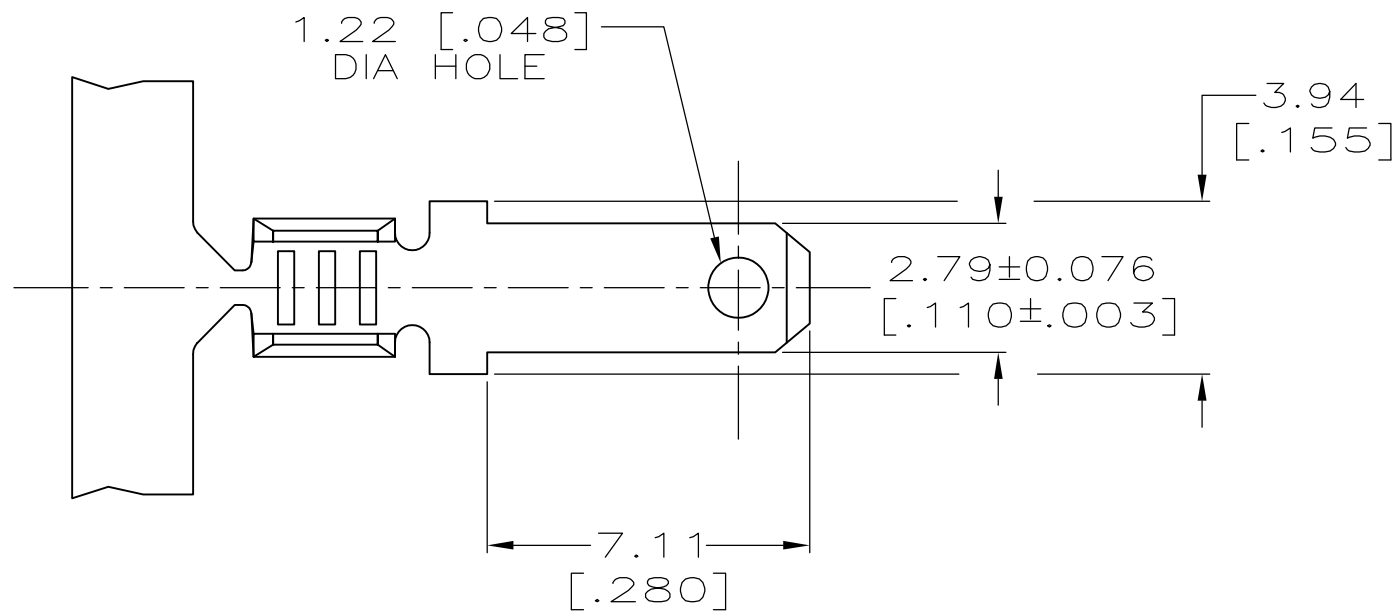
© COPYRIGHT - By -

LOC AF DIST 50

REVISIONS


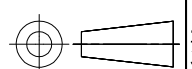
P	LTR	DESCRIPTION	DATE	DWN	APVD
L		REVISED PER ECR-13-011489	05DEC2013	KH	PD

- 1 CONTINUOUS STRIP ON REELS.
- 2 WIRE SIZE IS [#22-#18] AWG.



SECTION X-X

62122-1
PART NO.

THIS DRAWING IS A CONTROLLED DOCUMENT.		DWN JR RUTH 8/26/97	 TE Connectivity				
DIMENSIONS: mm [INCHES]		CHK P FORTNEY 8/26/97					
TOLERANCES UNLESS OTHERWISE SPECIFIED: 0 PLC ± - 1 PLC ± - 2 PLC ± 0.38 [.015] 3 PLC ± - 4 PLC ± - ANGLES ± -		APVD P DESANTIS 8/26/97	NAME				
		PRODUCT SPEC	TAB, FASTON, 2.79 [.110] SERIES				
MATERIAL BRASS		FINISH PRE-TIN	APPLICATION SPEC	SIZE A3	CAGE CODE 00779	DRAWING NO C-62122	RESTRICTED TO
CUSTOMER DRAWING			WEIGHT -	SCALE 6:1	SHEET 1 OF 1	REV L	