

THIS DRAWING IS UNPUBLISHED.

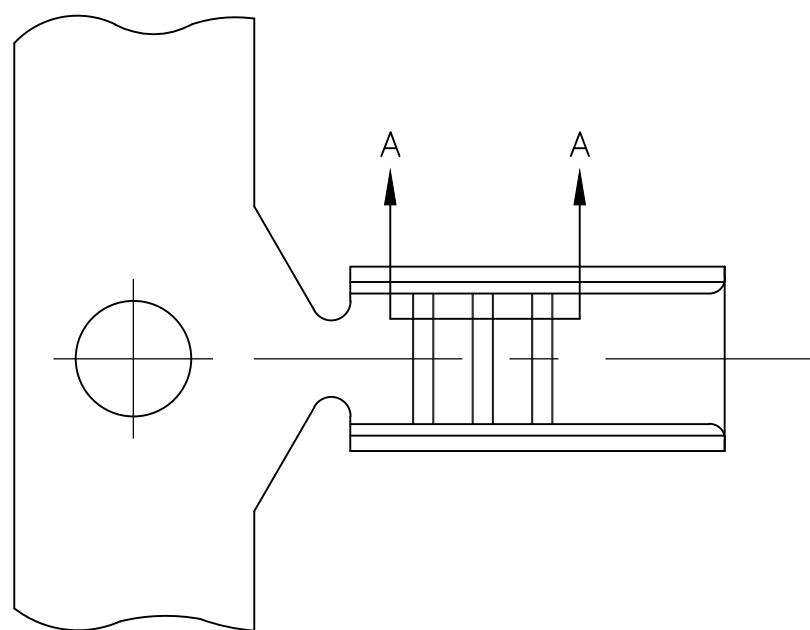
RELEASED FOR PUBLICATION

ALL RIGHTS RESERVED.

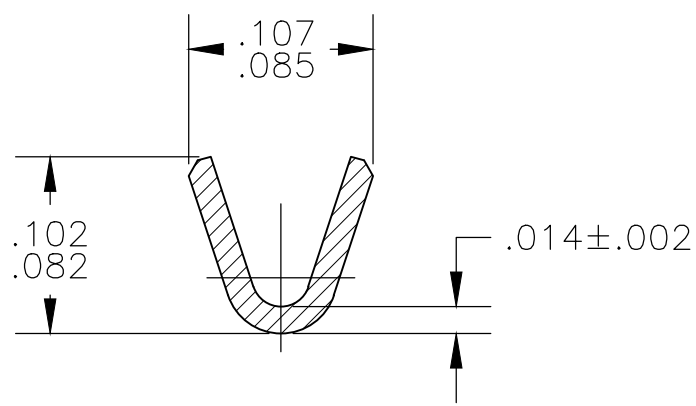
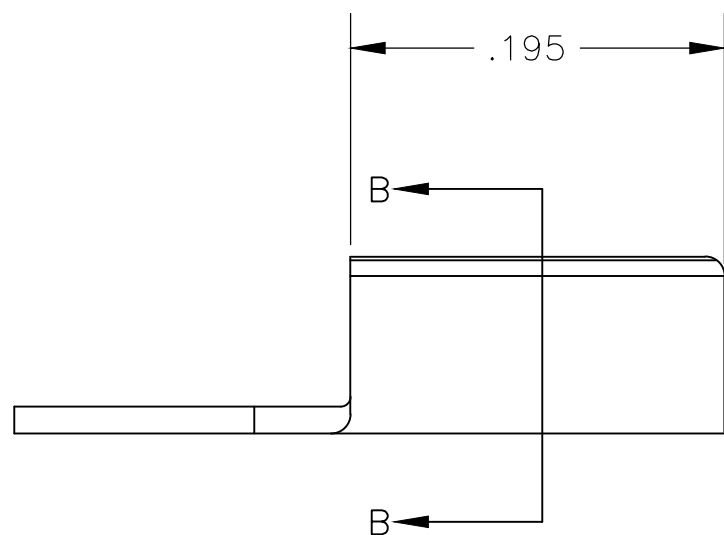
© COPYRIGHT - TE Connectivity

REVISIONS

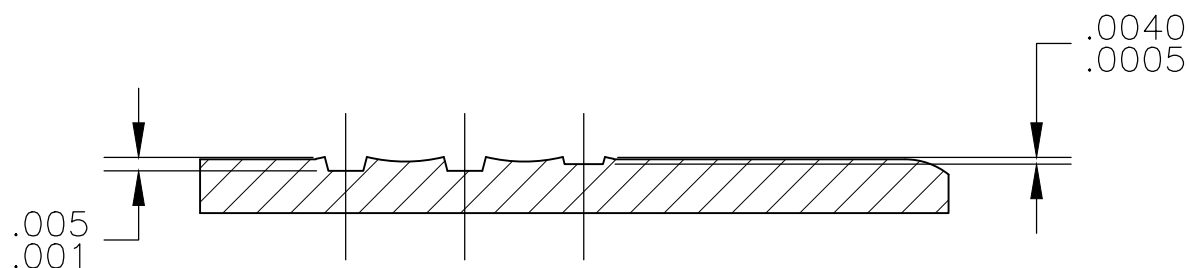
P	LTR	DESCRIPTION	DATE	DWN	APVD
	E2	REVISED PER ECR-12-009678	31JUL2018	BDA	KR



- 1 CONTINUOUS STRIP ON REELS
- 2 P/N 62341-3 SAME AS P/N 62341-1 EXCEPT REVERSE REELED
- 3 CRIMP WIDTH: .070 F
CRIMP HEIGHT: $(\pm.002)=(\text{TOTAL CMA} + 4,000)/128,000$



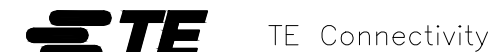
SECTION B-B



SECTION A-A
SCALE 20:1

	480-1500 CMA	TIN	2	62341-3
OBSOLETE	480-1500 CMA	NONE	2	62341-2
	480-1500 CMA	TIN		62341-1
	WIRE RANGE	FINISH		PART NO

THIS DRAWING IS A CONTROLLED DOCUMENT.		DWN	11OCT2006	
		CHK	RAGHAVENDRA	
DIMENSIONS: INCHES		APVD	G.D.PORTA	
		PRODUCT SPEC	G.D.PORTA	
TOLERANCES UNLESS OTHERWISE SPECIFIED:		APPLICATION SPEC	114-2016	
0 PLC ± -		WEIGHT	SIZE	A3
1 PLC ± -			CAGE CODE	00779
2 PLC ± -			DRAWING NO	C-62341
3 PLC ± .015			RESTRICTED TO	-
4 PLC ± -			SCALE	10:1
ANGLES ± 1° 0'			SHEET	1 OF 1
MATERIAL	FINISH	CUSTOMER DRAWING		
BRASS	SEE TABLE	REV E2		



MINIATURE AMPLIVAR SPLICE