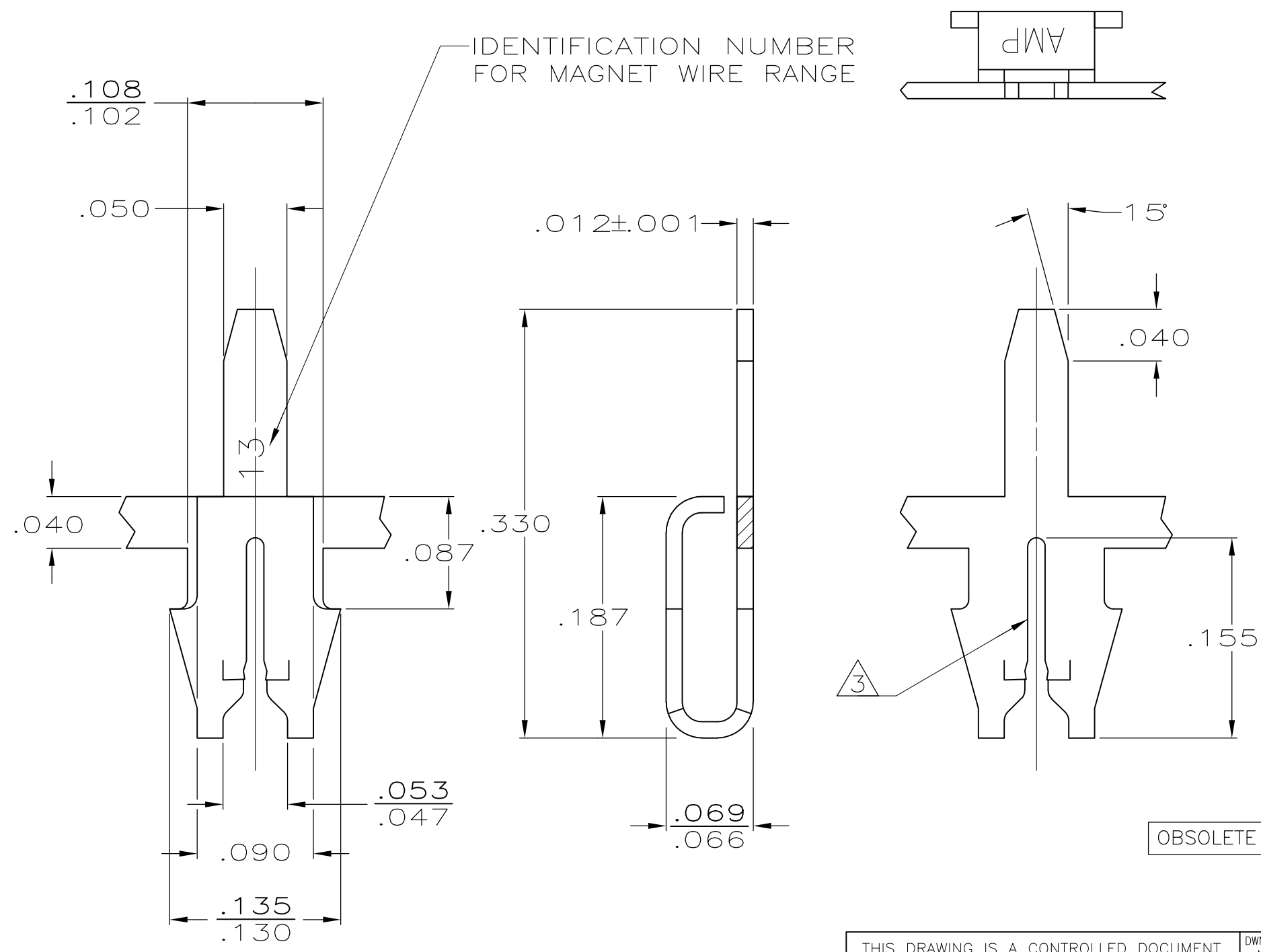


THIS DRAWING IS UNPUBLISHED. RELEASED FOR PUBLICATION
 © COPYRIGHT - By - ALL RIGHTS RESERVED.

LOC	DIST	REVISIONS					
AF	50	P	LTR	DESCRIPTION	DATE	DWN	APVD
			L2	ECO-14-002653	24FEB14	PKS	RRP



- ① MAG-MATE CAVITY SPECIFICATION.
- ② CONTINUOUS STRIP ON REELS WITH TERMINALS LOCATED ON .200 CENTERS.
- ③ SLOT ACCEPTS #24-#22 AWG COPPER MAGNET WIRE.
- ④ .000040 MIN TIN PLATE.
- ⑤ .000040 MIN TIN PLATE OVER .000050 MIN NICKEL UNDERPLATE.
- ⑥ REELED FOR APPLICATION THROUGH MAG-MATE INSERTION MACHINE
- ⑦ REELED FOR INSERTION INTO PRINTED CIRCUIT BOARD

OBSOLETE	⑦	④	62439-3
	⑥	⑤	62439-2
	⑥	④	62439-1
	REELING	FINISH	PART NO.

THIS DRAWING IS A CONTROLLED DOCUMENT.		DWN	M.S. FEHER	11/21/88	STE TE Connectivity		
DIMENSIONS: INCHES		CHK	JR RUTH	11/27/88			
TOLERANCES UNLESS OTHERWISE SPECIFIED:		APVD	NELSON E NEFF	11/28/88	NAME		
0 PLC ± -		PRODUCT SPEC		TERMINAL, POSTED, MAG-MATE™			
1 PLC ± -		APPLICATION SPEC		-			
2 PLC ± -		114-2069 ①		SIZE	CAGE CODE	DRAWING NO	RESTRICTED TO
3 PLC ± .010		WEIGHT		A3 00779		C-62439	-
4 PLC ± -		MATERIAL		CUSTOMER DRAWING			
ANGLES ± -		#4 HARD BRASS		SCALE	10:1	SHEET	1 OF 1
FINISH		SEE TABLE		REV		L2	