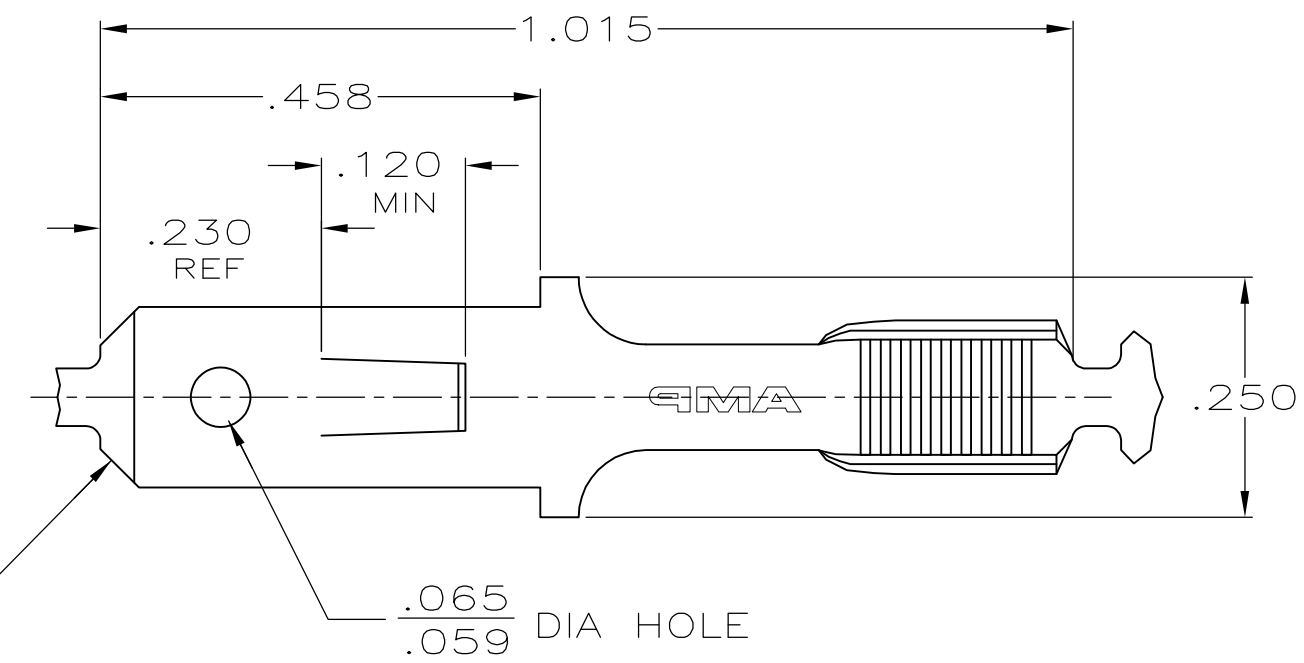


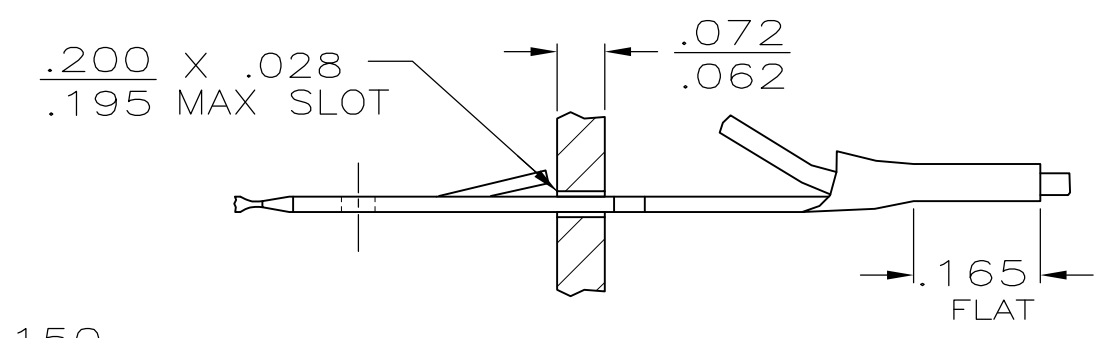
THIS DRAWING IS UNPUBLISHED. RELEASED FOR PUBLICATION
 © COPYRIGHT - By - ALL RIGHTS RESERVED.

LOC	DIST	REVISIONS			
P	LTR	DESCRIPTION	DATE	DWN	APVD
AF	50	K1	REVISED PER ECR-15-004720	08JUN2015	GRZ RP

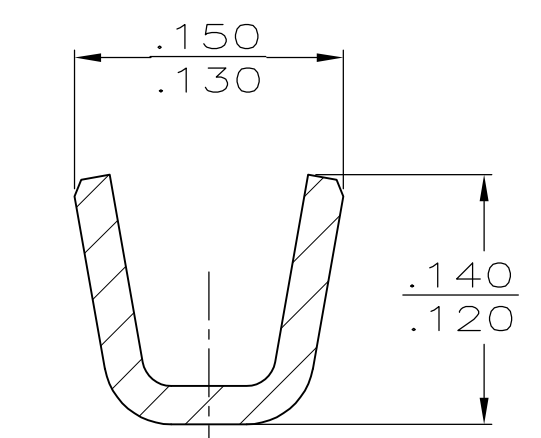
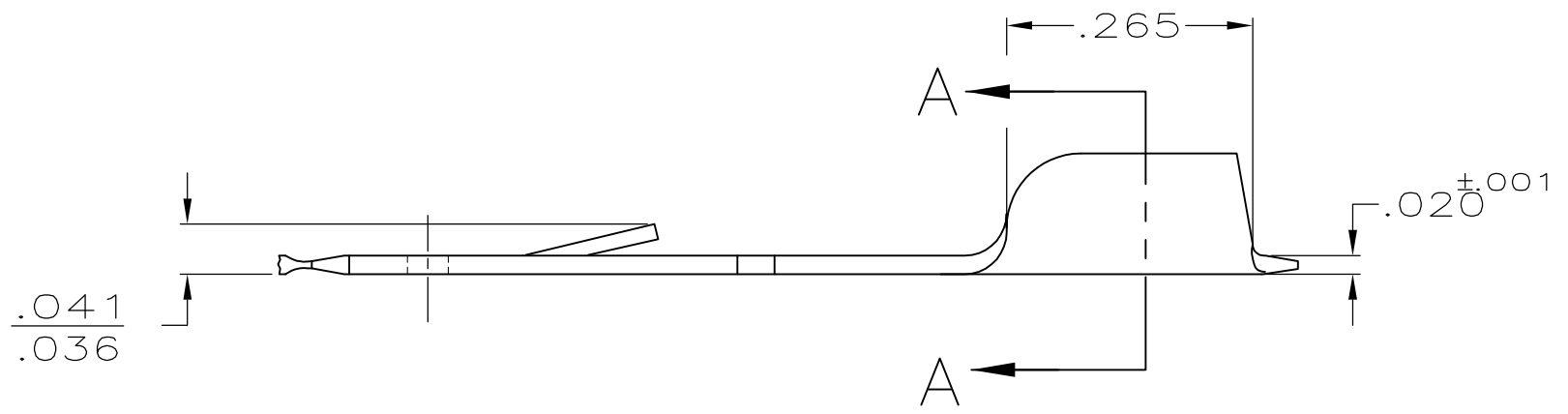
- 1 CONTINUOUS STRIP ON REELS
- 2 REVERSE REELING OF 62447-1
- 3 VARNISH RESIST



FITS .187 SERIES FASTON RECEPTACLE



INSTALLED VIEW PIGTAIL CRIMP



SECTION A-A

OBSOLETE

#22-16 MAGNET WIRE 600 - 3000 CMA	2	62447-4	
		62447-3	3
	2	62447-2	3
		62447-1	
WIRE SIZE	PART NO		

THIS DRAWING IS A CONTROLLED DOCUMENT.		DWN	JR RUTH	2/19/92	STE TE Connectivity		
DIMENSIONS: INCHES		CHK	MS FEHER	2/19/92			
TOLERANCES UNLESS OTHERWISE SPECIFIED:		APVD	J GILLESPIE	2/19/92	NAME		
0 PLC ± -		PRODUCT SPEC		TAB, AMPLIVAR, FASTON-			
1 PLC ± -		APPLICATION SPEC		FASTON, .187 SERIES			
2 PLC ± -		SIZE	A3	CAGE CODE	00779	DRAWING NO	C-62447
3 PLC ± .015		WEIGHT		RESTRICTED TO		-	
4 PLC ± -		CUSTOMER DRAWING					
ANGLES ± -		SCALE	5:1	SHEET	1 OF 1	REV	K1
MATERIAL	BRASS	FINISH	TIN .000080 MIN				