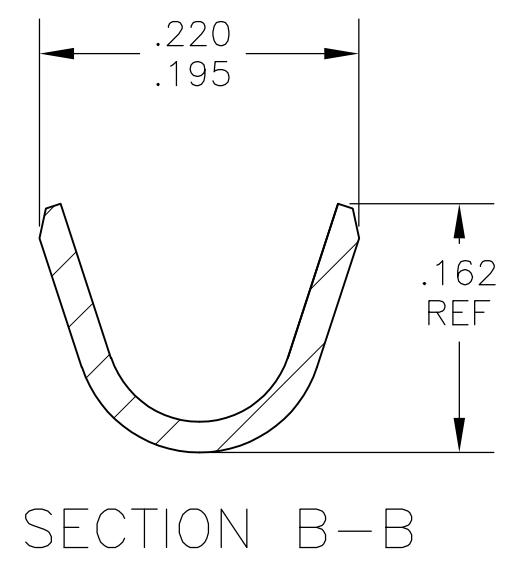
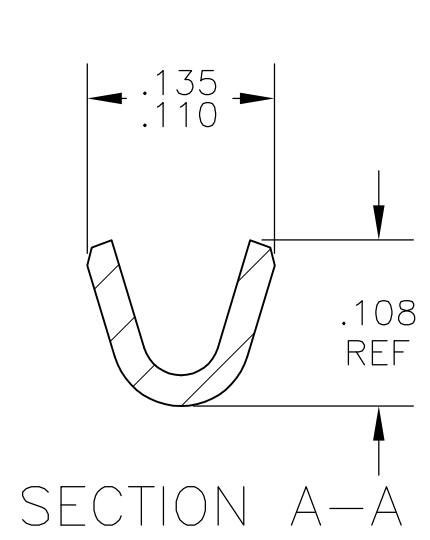
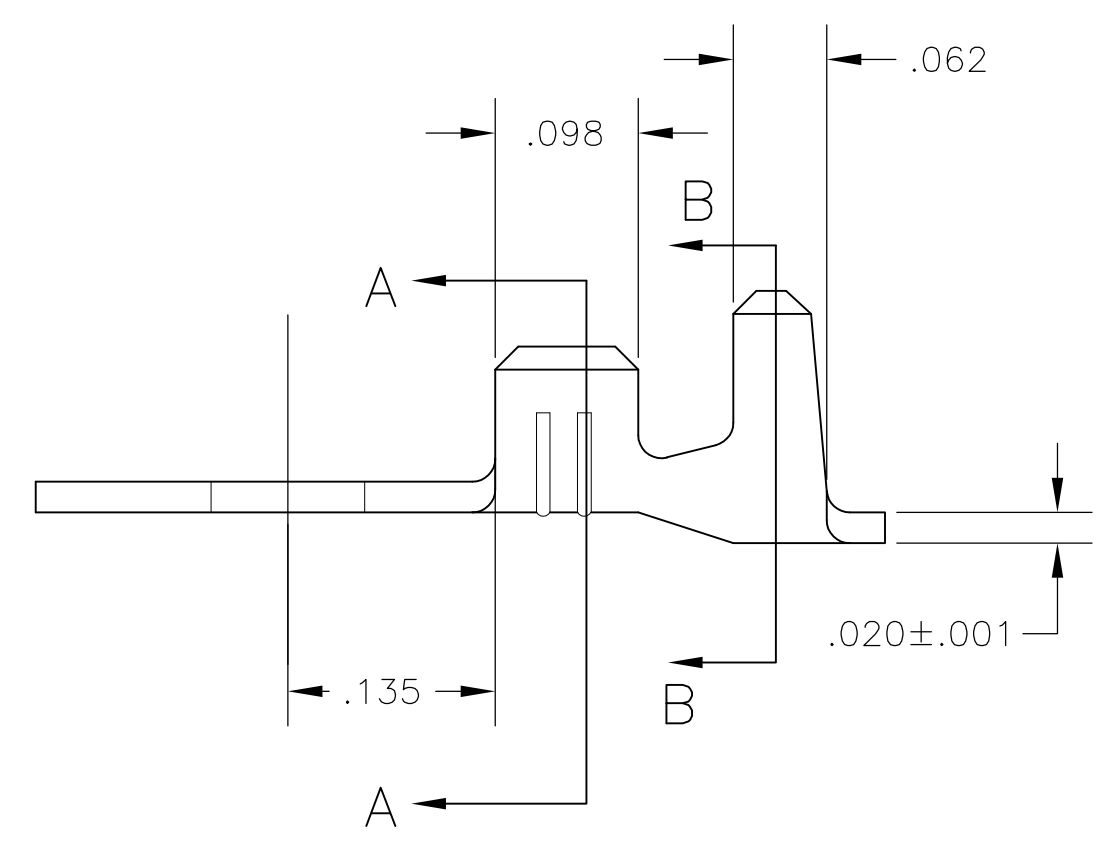
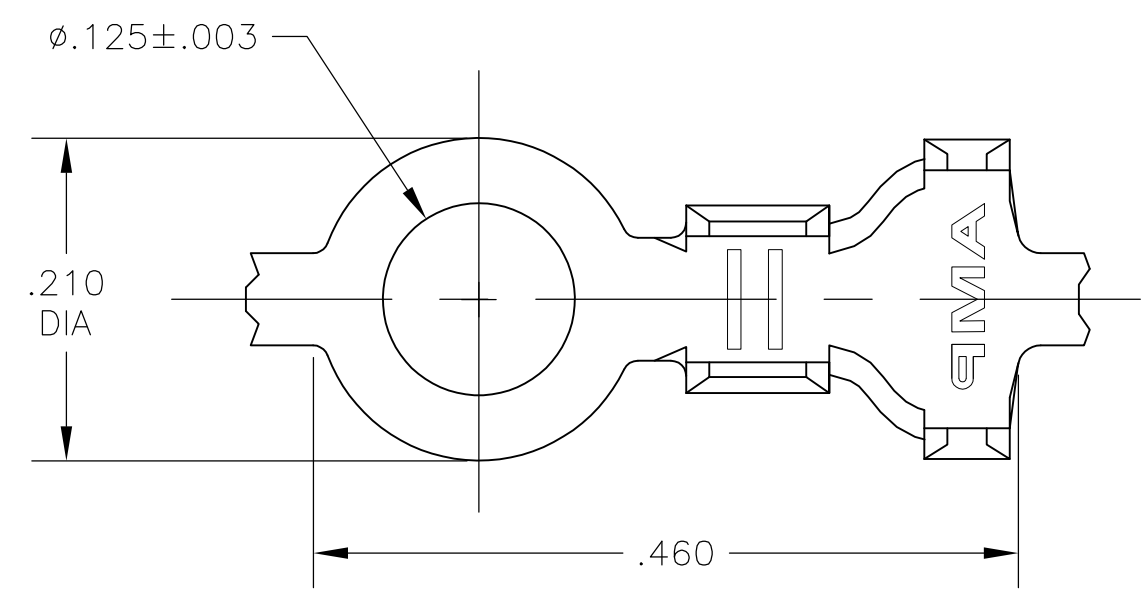


THIS DRAWING IS UNPUBLISHED. RELEASED FOR PUBLICATION  
 © COPYRIGHT BY TYCO ELECTRONICS CORPORATION. ALL INTERNATIONAL RIGHTS RESERVED.

LOC	DIST	REVISIONS			
P	LTR	DESCRIPTION	DATE	DWN	APVD
AF	50	C	REVISED PER ECR-08-008189	24NOV08	HMR DD

- 1 CONTINUOUS STRIP ON REELS
- 2 WIRE SIZE IS 22-20 AWG
- 3 INSULATION RANGE IS .070-.120 DIA



62638-1  
PART NO

THIS DRAWING IS A CONTROLLED DOCUMENT.		DWN	JR RUTH	19FEB03	Tyco Electronics Corporation Harrisburg, PA 17105-3608	
DIMENSIONS: INCHES		CHK	D DECKER	19FEB03		
		APVD		D DECKER	19FEB03	NAME
TOLERANCES UNLESS OTHERWISE SPECIFIED:		PRODUCT SPEC		RING TONGUE		
0 PLC ± -		APPLICATION SPEC		SIZE		
1 PLC ± -		—		CAGE CODE		DRAWING NO
2 PLC ± -		—		A3		00779
3 PLC ± .010		—		C-		62638
4 PLC ± -		—		RESTRICTED TO		—
ANGLES ± 1°		WEIGHT		—		
MATERIAL		FINISH		CUSTOMER DRAWING		
082 BRASS		TIN		SCALE		8:1
				SHEET		1 OF 1
				REV		C