

4

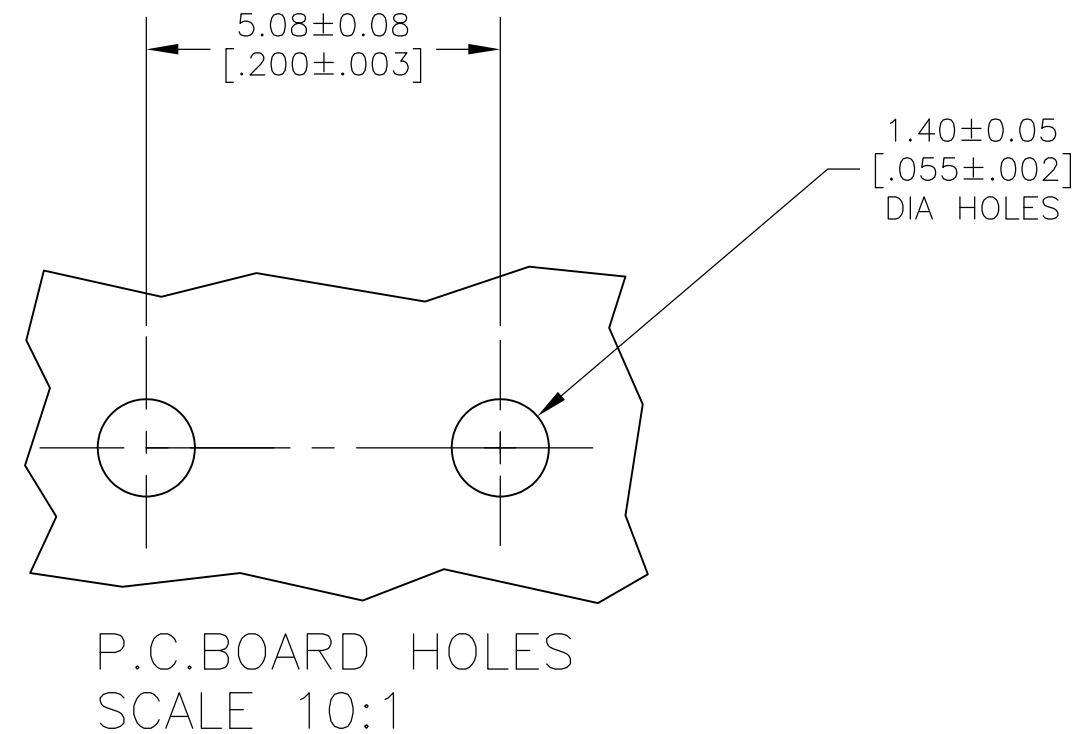
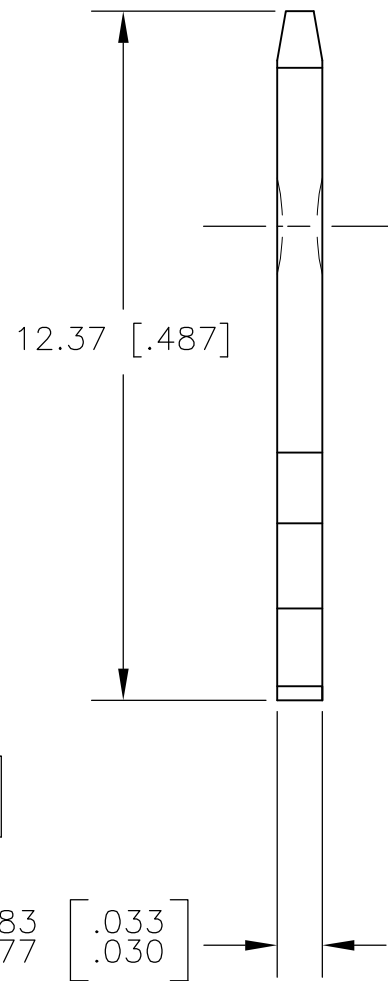
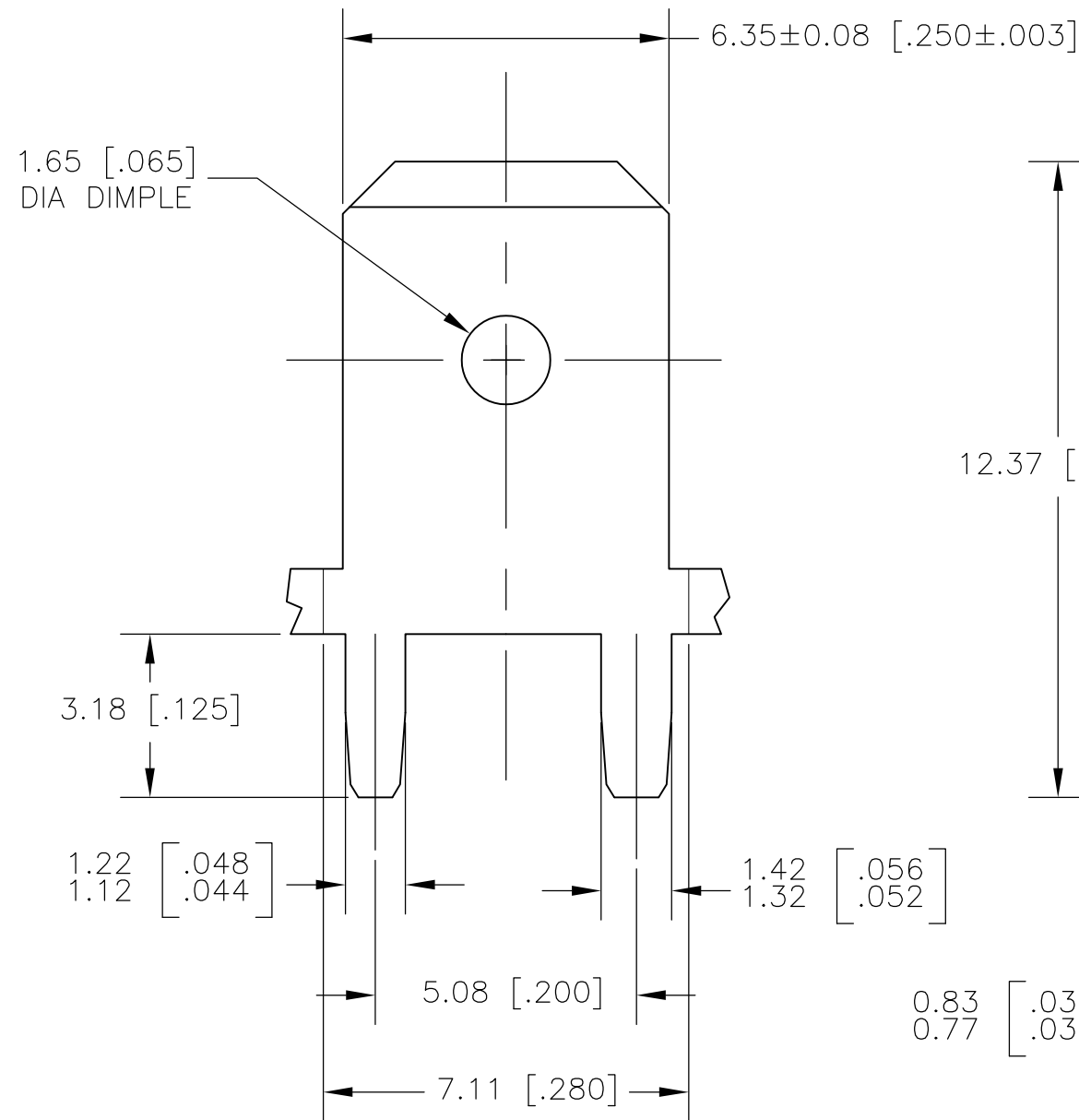
3

2

1

THIS DRAWING IS UNPUBLISHED. RELEASED FOR PUBLICATION - , - .  
 © COPYRIGHT - By - ALL RIGHTS RESERVED.

LOC	DIST	REVISIONS			
P	LTR	DESCRIPTION	DATE	DWN	APVD
AF	50	J	REVISED PER ECR-13-001204	04JUN13	KH PD



1 CONTINUOUS STRIP ON REELS.  
 2 0.00381 [.000150] MIN TIN OVER  
 0.00254 [.000100] MIN THK COPPER.

62650-1  
 PART NUMBER

THIS DRAWING IS A CONTROLLED DOCUMENT.		DWN JR RUTH 30NOV00	TE Connectivity				
DIMENSIONS: MM [INCHES]		CHK MS FEHER 30NOV00					
TOLERANCES UNLESS OTHERWISE SPECIFIED:		APVD G PORTA 30NOV00	NAME				
0 PLC ± - 1 PLC ± - 2 PLC ± 0.38 [.015] 3 PLC ± - 4 PLC ± - ANGLES ± -		PRODUCT SPEC	TAB, FASTON, PC BOARD, 6.35 [.250] SERIES				
MATERIAL BRASS		FINISH TIN OVER COPPER	APPLICATION SPEC 114-2112	SIZE A3	CAGE CODE 00779	DRAWING NO C-62650	RESTRICTED TO
CUSTOMER DRAWING			WEIGHT -	SCALE 8:1	SHEET 1 OF 1	REV J	