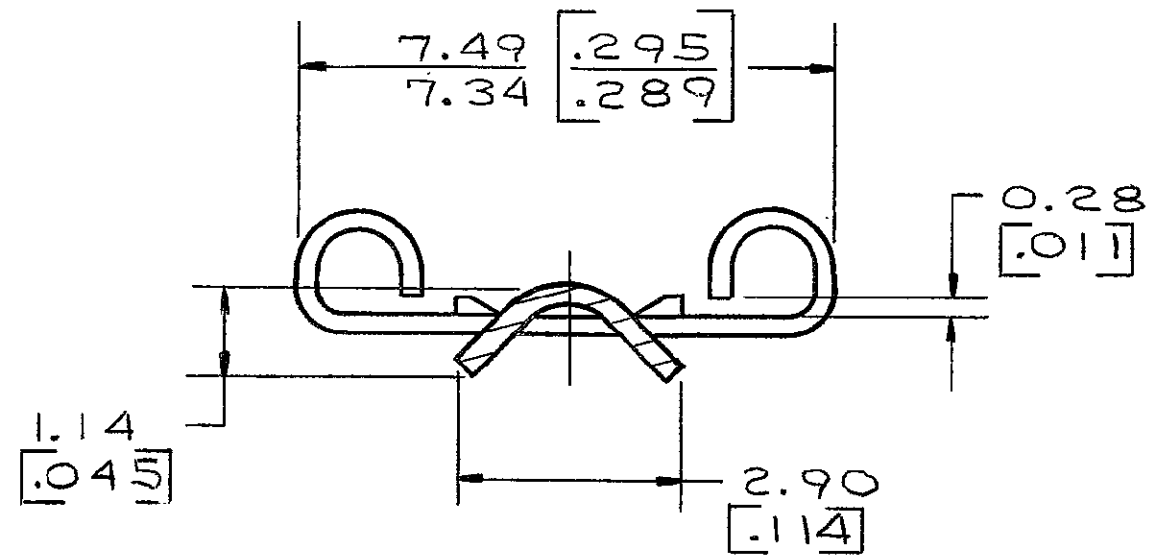
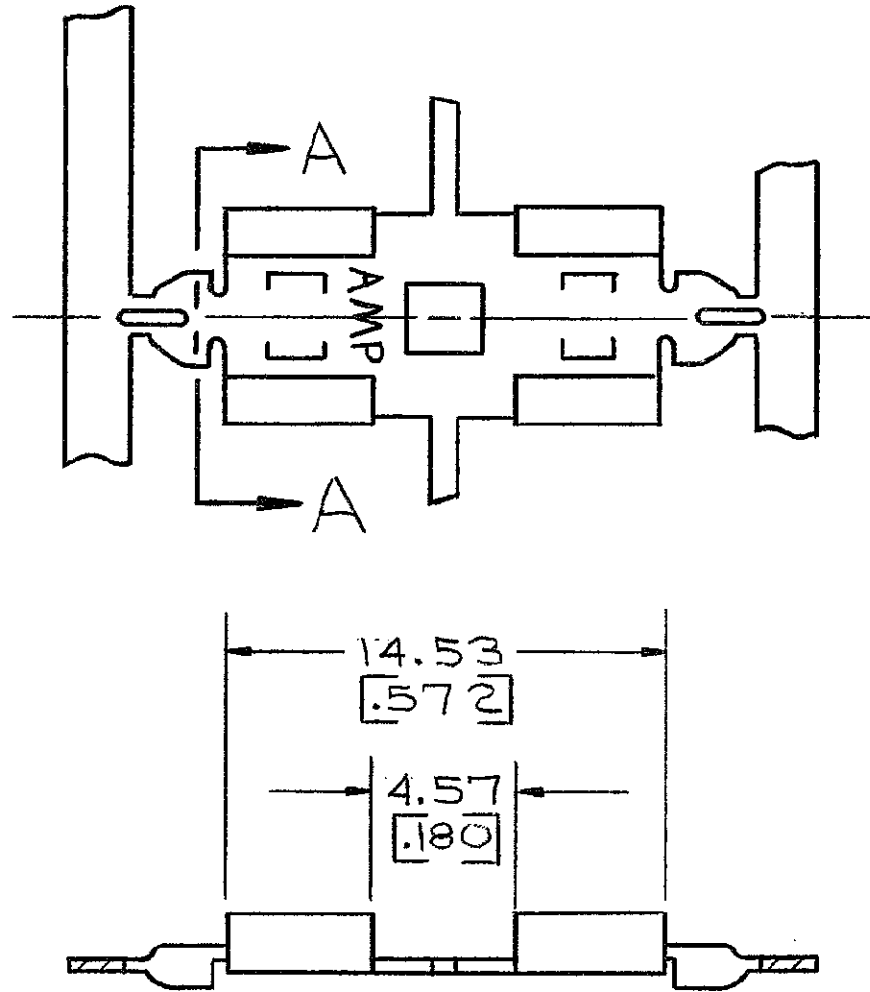



REVISIONS						
P	F	ZONE	LTR	DESCRIPTION	DATE	APPROVED
			D1	REVISED PER ECO-11-005294	11APR11	HMR



1. DIMENSIONS IN BRACKETS ARE IN INCHES.
2. CONTINUOUS STRIP ON REELS.
3. TO BE MOUNTED IN 2.54 ± 0.05 $.100 \pm .002$ DIA HOLE.

METRIC

		NONE	62751-2
62806-1		TIN OVER Cu	62751-1
LOOSE PIECE NUMBER		FINISH	PART NO
UNLESS OTHERWISE SPECIFIED DIMENSIONS ARE IN INCHES. TOLERANCES ON DECIMALS ± 0.30 ANGLES \pm		 TE Connectivity	
CONTRACT NO		NAME	
DR W.S.DAVIS 2-23-78		P.C.B. RECEPTACLE	
CHK G YETTER 2-23-78		(.250x.016 SPADE)	
MATERIAL 0.25 BRASS		SIZE B	CODE IDENT NO 00779
FINISH SEE TABLE		DRAWING NO 62751	
OTHER APPD		SCALE	SHEET