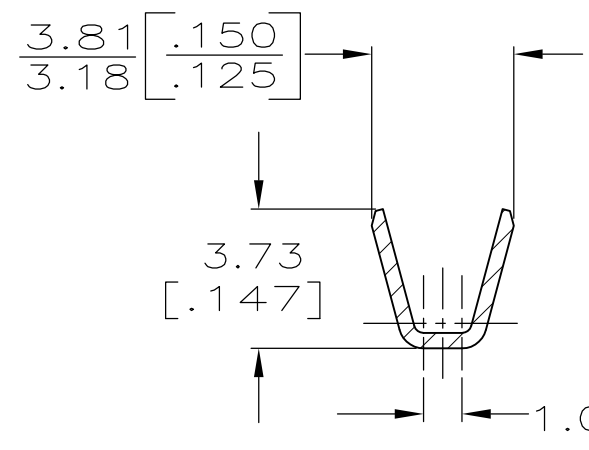
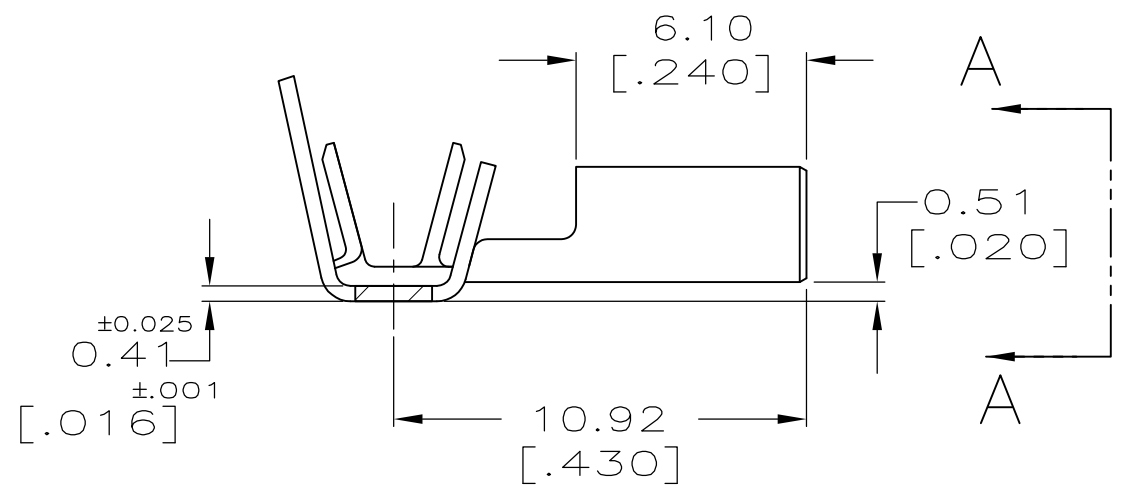
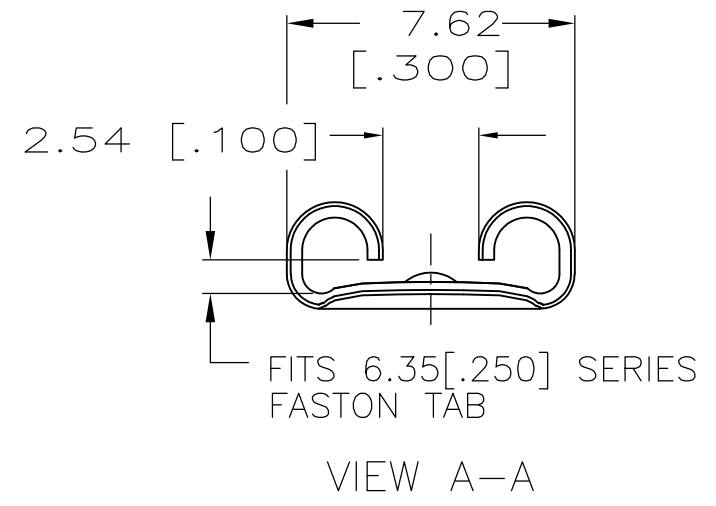
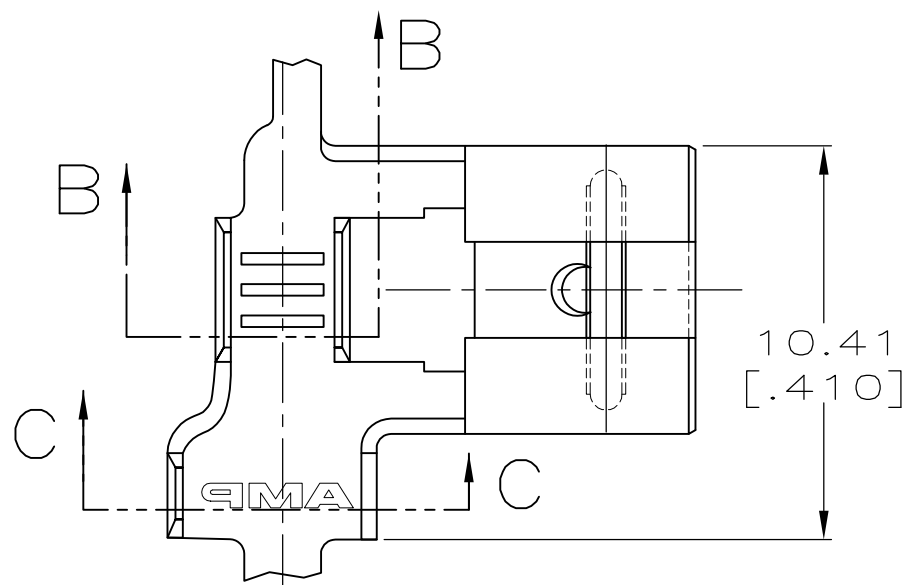


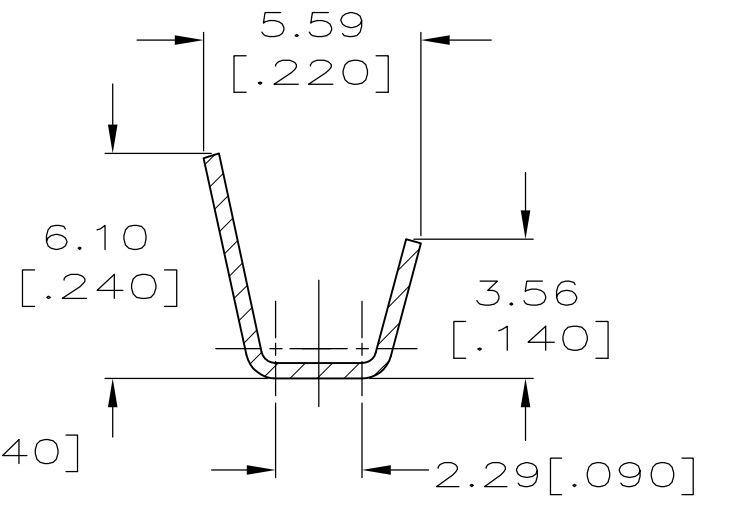
THIS DRAWING IS UNPUBLISHED. RELEASED FOR PUBLICATION
 © COPYRIGHT - By - ALL RIGHTS RESERVED.

LOC	DIST	REVISIONS					
AF	50	P	LTR	DESCRIPTION	DATE	DWN	APVD
			H1	REVISED PER ECO-15-000201	07JAN15	JR	DH

1 CONTINUOUS STRIP ON REELS.



SECTION B-B



SECTION C-C

TIN	2.79-4.06 [.110-.160] DIA	0.8-2.0mm ² [18-14] AWG	0.81 [.032]	63010-2 63010-1
FINISH	INSUL RANGE	WIRE SIZE	MATING TAB THK ±0.025 [.001]	PART NO

THIS DRAWING IS A CONTROLLED DOCUMENT.		DWN	JR RUTH	4/9/91	TE Connectivity RECEPTACLE, FASTON, FLAG, 6.35 [.250] SERIES								
DIMENSIONS: mm [INCHES]		CHK	MS FEHER	4/9/91									
TOLERANCES UNLESS OTHERWISE SPECIFIED:		APVD	C MEYERS	4/9/91									
0 PLC ± - 1 PLC ± - 2 PLC ± - 3 PLC ± 0.38 [.015] 4 PLC ± - ANGLES ± -		PRODUCT SPEC		NAME									
MATERIAL	BRASS	FINISH	SEE TABLE	WEIGHT	-	SIZE	A3	CAGE CODE	00779	DRAWING NO	C-63010	RESTRICTED TO	-
CUSTOMER DRAWING						SCALE	5:1	SHEET	1 OF 1	REV	H1		