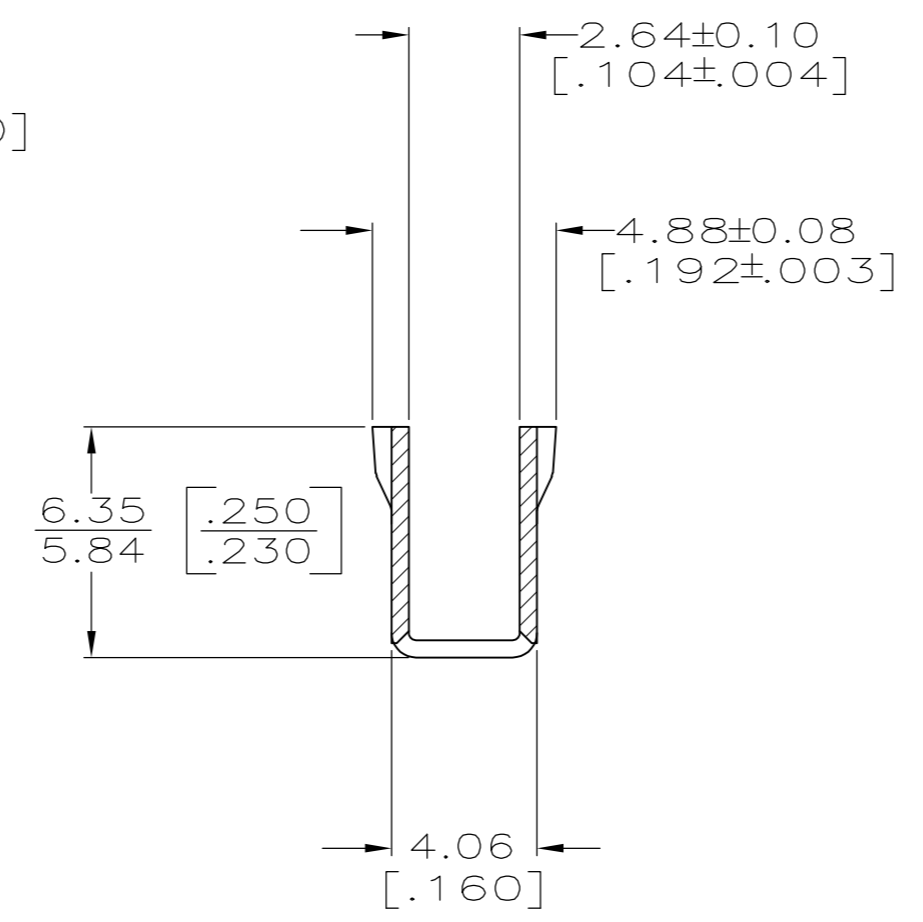
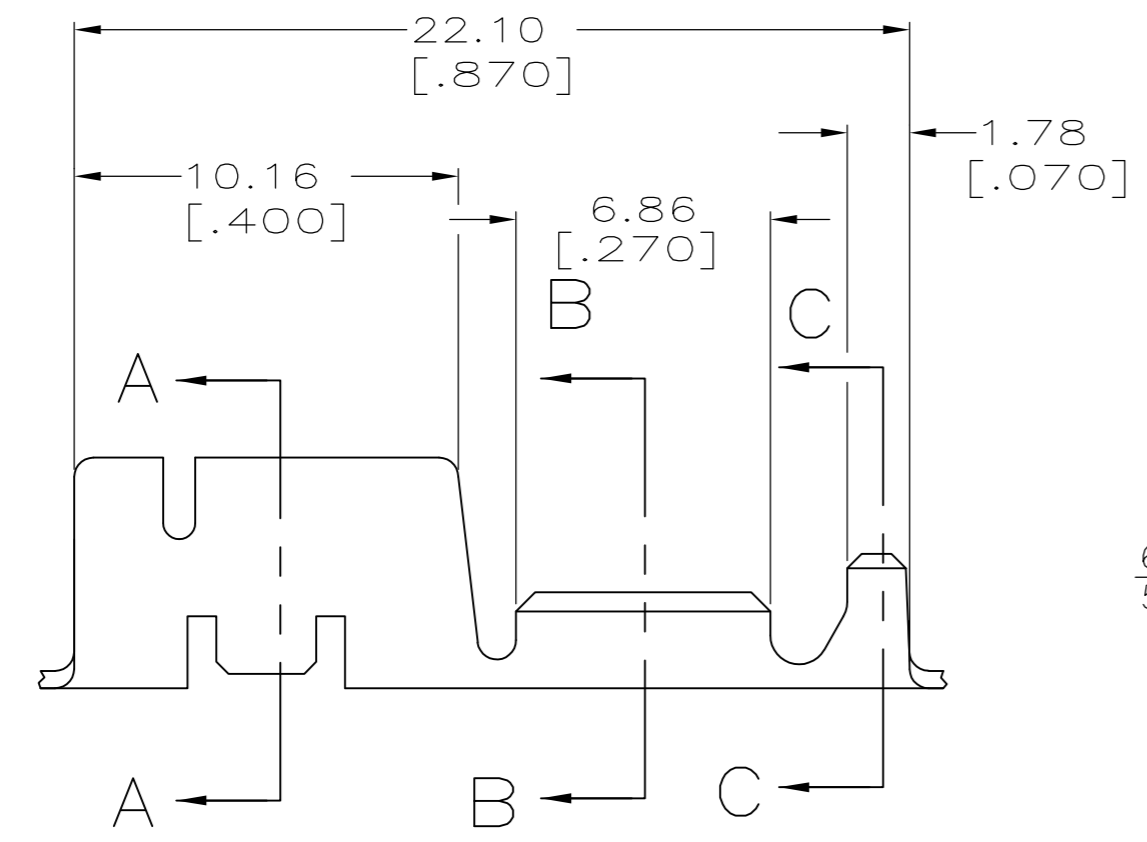
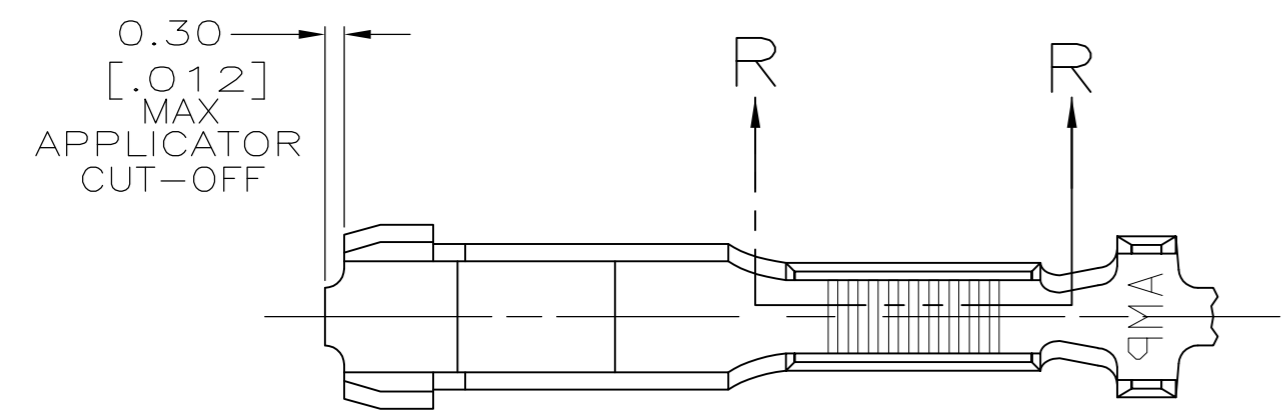


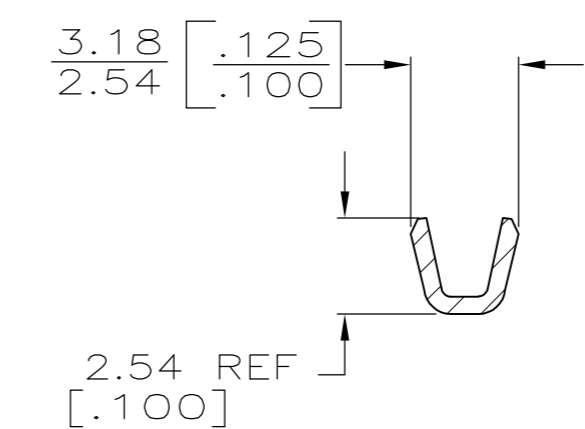
THIS DRAWING IS UNPUBLISHED. RELEASED FOR PUBLICATION
 © COPYRIGHT - By - ALL RIGHTS RESERVED.

LOC	DIST	REVISIONS			
P	LTR	DESCRIPTION	DATE	DWN	APVD
AF	50	N	REVISED PER ECR-14-006300	28AUG2014	MKD/RRP

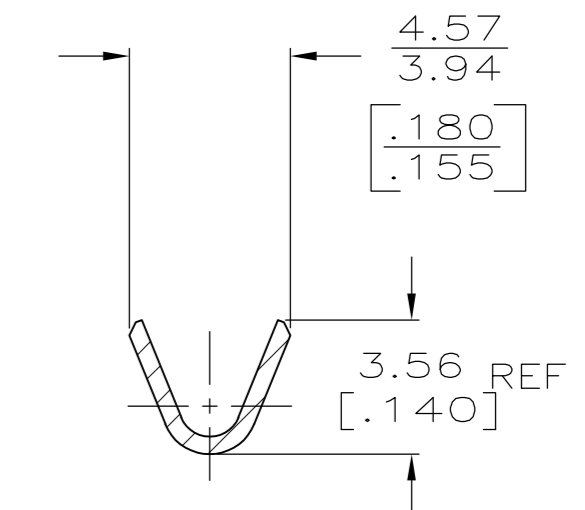
- 1 CONTINUOUS STRIP ON REELS WITH TERMINALS LOCATED ON 23.75 [.935] CENTERS.
- 2 STANDARD RETENTION TYPE



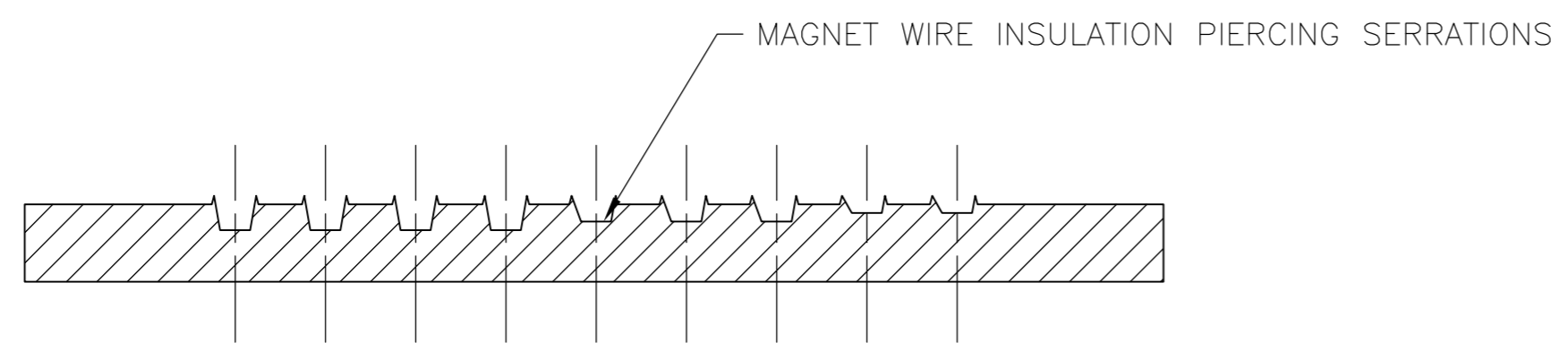
SECTION A-A



SECTION B-B



SECTION C-C



SECTION R-R
SCALE 25:1

1.52-2.54 DIA [.060-.100]	400-1600 CMA	63453-1
INSULATION RANGE	WIRE RANGE	PART NO.

THIS DRAWING IS A CONTROLLED DOCUMENT.		DWN MS FEHER 11/12/87	TE Connectivity			
DIMENSIONS: mm [INCHES]		CHK G YETTER 11/17/87				
TOLERANCES UNLESS OTHERWISE SPECIFIED:		APVD J SWARTZ 11/17/87				
0 PLC ± - 1 PLC ± - 2 PLC ± 0.25 [.010] 3 PLC ± - 4 PLC ± - ANGLES ± -		PRODUCT SPEC 108-2008 APPLICATION SPEC 114-2009				
MATERIAL H03 TIN-BRASS	FINISH POST TIN	WEIGHT -	SIZE A2	CAGE CODE 00779	DRAWING NO C=63453	RESTRICTED TO -
CUSTOMER DRAWING			SCALE 5:1	SHEET 1 of 1	REV N	