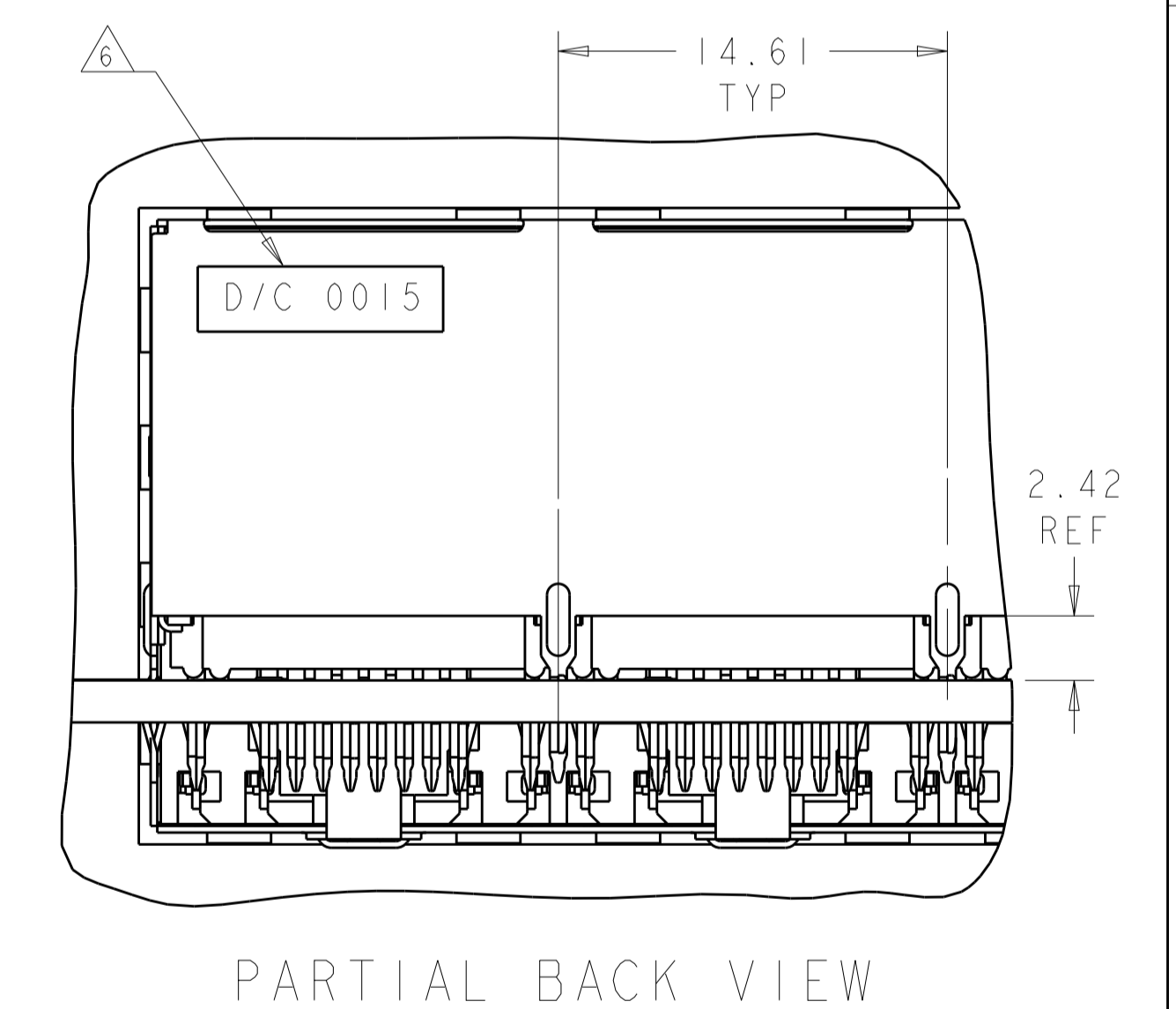
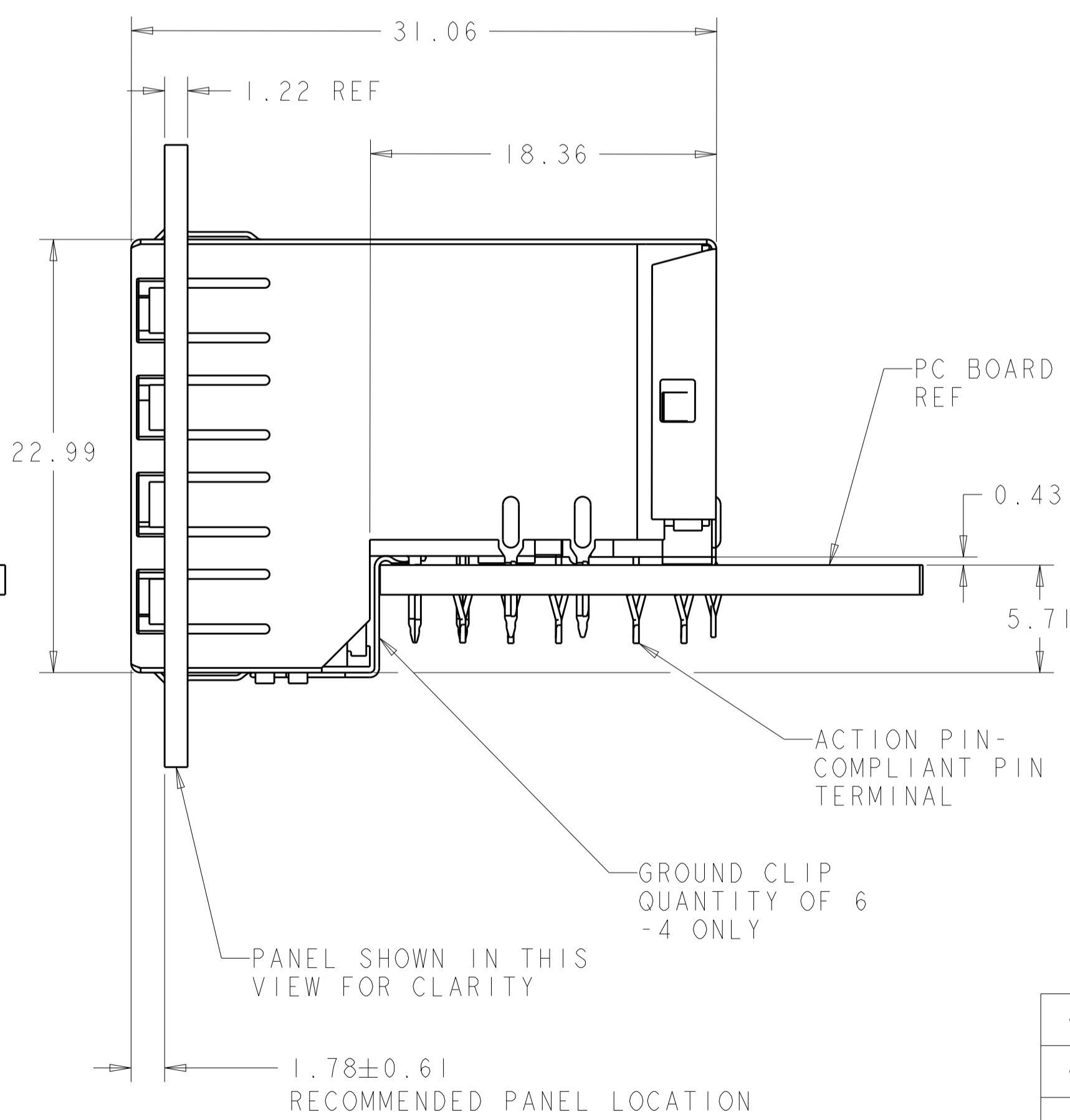
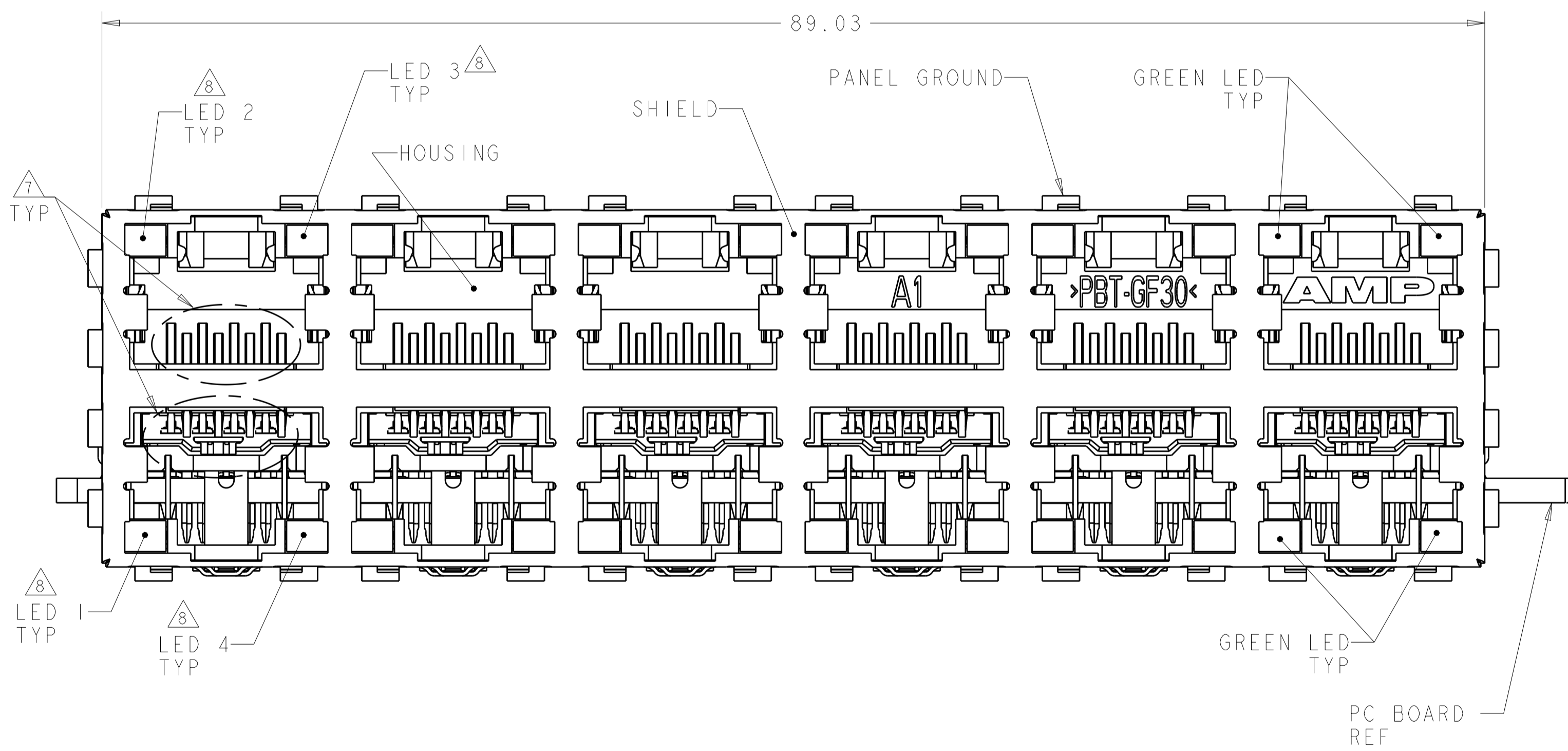


| REVISIONS | | | | |
|-----------|-----|---------------|-----------|----------|
| P | LTN | DESCRIPTION | DATE | OWN APVD |
| B | | ECO-15-006810 | 29DEC2015 | LL SH |

- MATERIAL:
 - HOUSING: PBT POLYESTER, BLACK, UL 94V-0.
 - TERMINALS: 0.33 THICK PHOSPHOR BRONZE PLATED WITH 1.27µm MINIMUM THICK HARD GOLD IN LOCALIZED AREA AND 2µm MINIMUM THICK MATTE TIN IN ACTION PIN COMPLIANT PIN TERMINAL AREA OVER 1.27µm MINIMUM THICK NICKEL UNDERPLATE.
 - SHIELD: 0.25 THICK COPPER ALLOY PLATED WITH 2.03µm MINIMUM BRIGHT TIN OVER 1.27µm MINIMUM NICKEL.
 - LIGHT EMITTING DIODE (LED): DIFFUSED EPOXY LENS, 12.95 CARBON STL WIREFRAME LEADS PREPLATED WITH 2.29µm SILVER OVER 1.02µm NICKEL UNDERPLATE OVER 2.03µm COPPER UNDERPLATE.
 - LED ACTION PIN - COMPLIANT PIN CONTACTS 0.3 THICK BRASS PLATED WITH 2µm MINIMUM MATTE TIN OVER 1.27µm MINIMUM NICKEL UNDERPLATE.
- JACK CAVITY CONFORMS TO FCC RULES AND REGULATIONS, PART 68 SUBPART F.
- ALL DIMENSIONS ARE NOMINAL UNLESS OTHERWISE SPECIFIED.
 - 4 DRILLED HOLE DIA = 1.02±.025. COPPER THICKNESS = 0.025-0.075. TIN THICKNESS = 0.008 MIN.
 - 5 DATUMS AND BASIC DIMENSIONS ESTABLISHED BY CUSTOMER.
 - 6 DATE CODE LOCATED ON REAR OF PART APPROXIMATELY AS SHOWN.
 - 7 CONTACTS ARE NOT INTENDED TO BE ALIGNED WITH EACH OTHER.
 - 8 SUGGESTED OPERATING CURRENT FOR LEDS IS 20 mA.



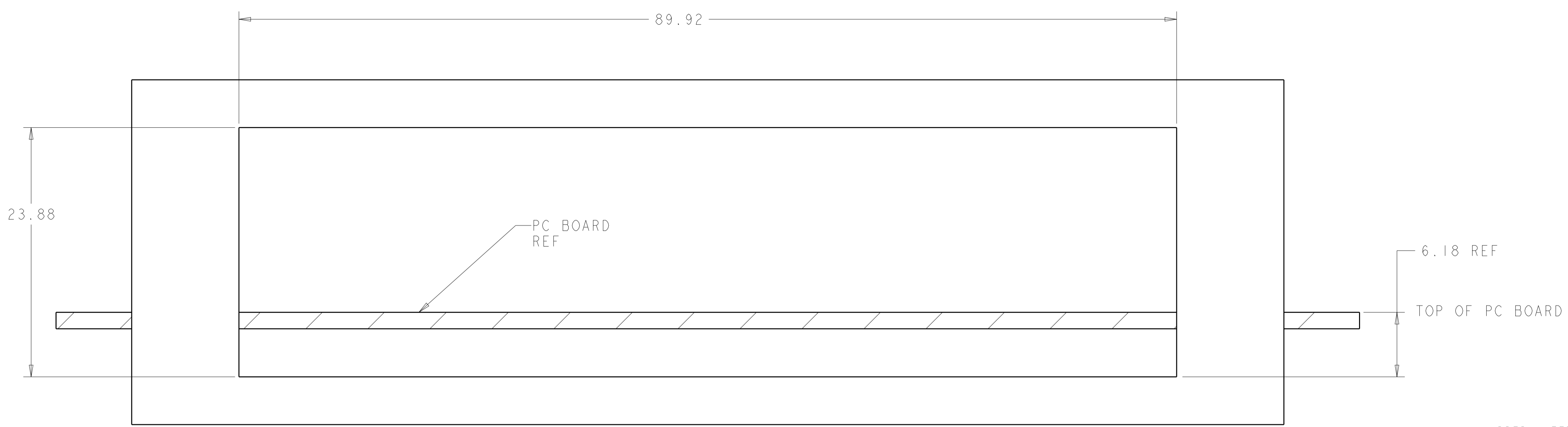
| LED COLOR | DESCRIPTION | PART NUMBER |
|--------------|---------------------|-------------|
| GREEN/YELLOW | WITH GROUND CLIP | 6368035-4 |
| GREEN/YELLOW | WITHOUT GROUND CLIP | 6368035-3 |
| GREEN | WITHOUT GROUND CLIP | 6368035-1 |

THIS DRAWING IS A CONTROLLED DOCUMENT.

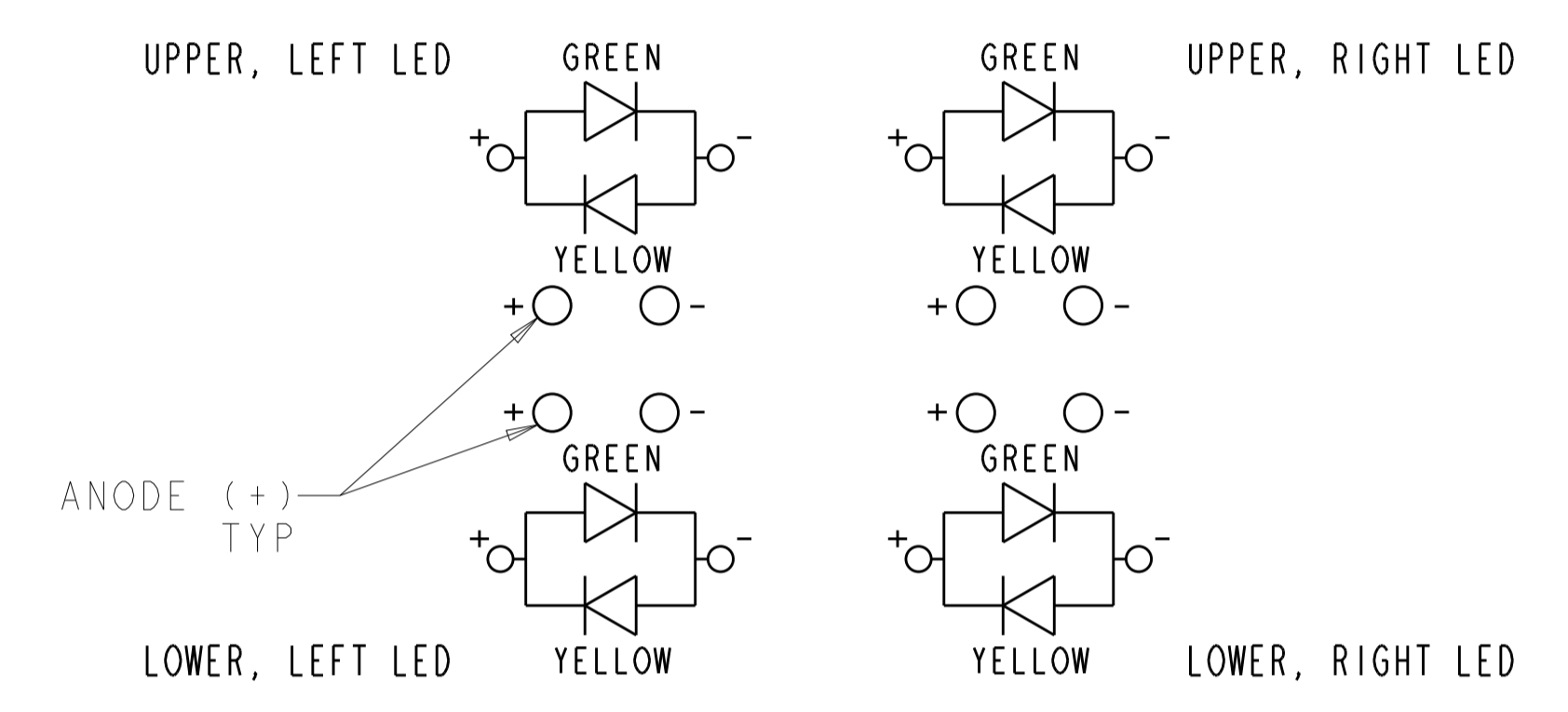
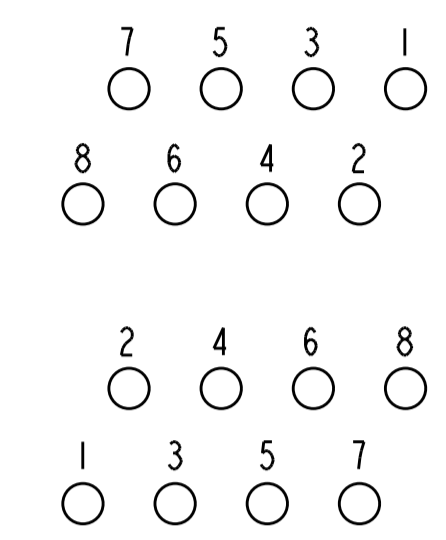
| | | | |
|-------------|--|---------------------------------|---|
| DIMENSIONS: | TOLERANCES UNLESS OTHERWISE SPECIFIED: | OWN: L. VARELA 29 JUL 2005 | TE Connectivity |
| mm | 0 PLC ±.13 1 PLC ±0.13 2 PLC ±0.13 3 PLC ±.13 4 PLC ±.13 ANGLES ±.1 | CHK: J. WESTMAN 29 JUL 2005 | |
| MATERIAL: | FINISH: | APVD: S. FLICKINGER 29 JUL 2005 | NAME: STACKED MODULAR JACK ASSEMBLY 2 X 6 OFFSET, W/LEDS, 8 POSN, RJ45 SHIELDED PANEL GROUND, CAT 5 |
| | | PRODUCT SPEC: 108-1854 | SIZE: 114-2160 |
| | | APPLICATION SPEC: | WEIGHT: |
| | | 114-2160 | CAGE CODE: A100779 |
| | | CUSTOMER DRAWING | DRAWING NO: C=6368035 |

SCALE 4:1 SHEET 1 OF 2 REV B

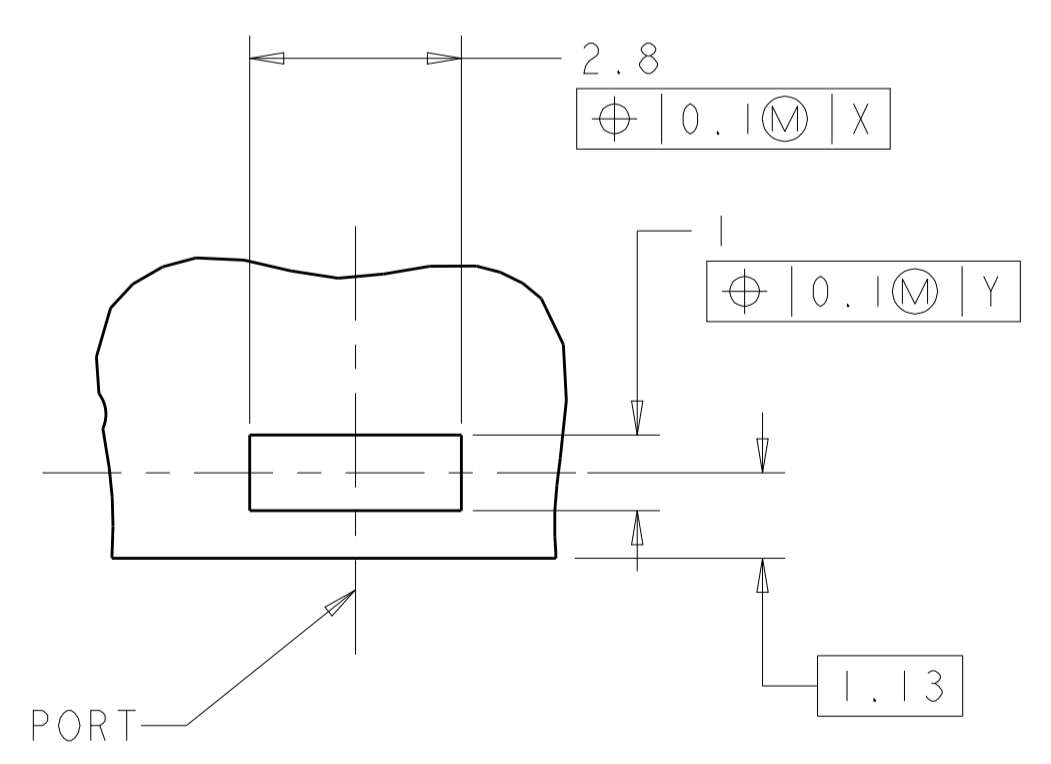
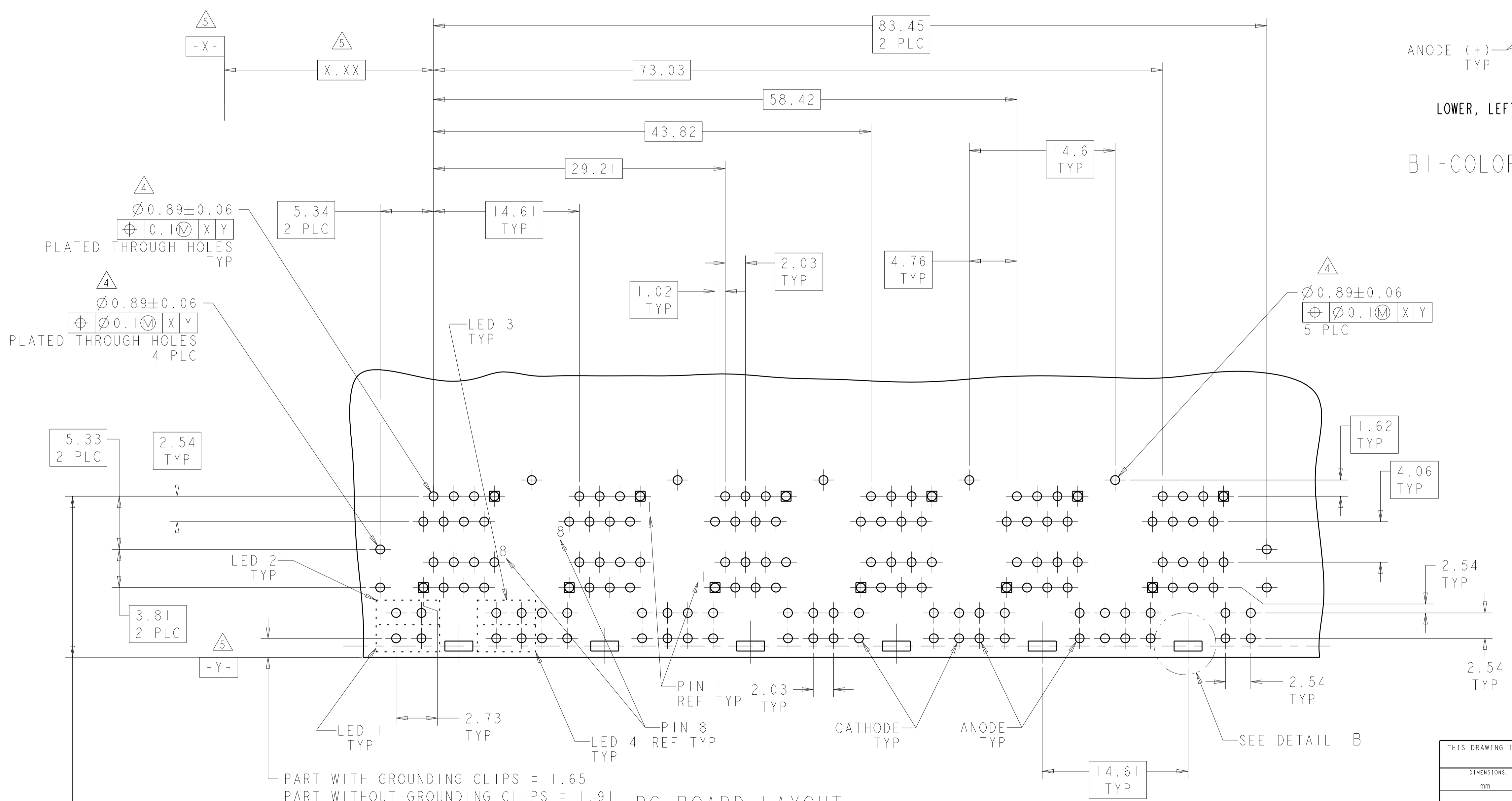
| REVISIONS | | | | |
|-----------|------|-------------|------|--------|
| P. | LTN. | DESCRIPTION | DATE | APP'D. |
| - | - | SEE SHEET 1 | - | - |
| | | | | |
| | | | | |



RECOMMENDED PANEL CUT-OUT



BI-COLOR LED SCHEMATIC FOR 6368035-3 & -4



DETAIL B
THESE PLATED PADS REQUIRED FOR 6368035-4 PRODUCTS WITH GROUNDING CLIPS
SCALE 10:1
6 PLACES

PART WITH GROUNDING CLIPS = 1.65
PART WITHOUT GROUNDING CLIPS = 1.91

PC BOARD LAYOUT (COMPONENT SIDE)

15.88 WITH GROUNDING CLIPS
16.13 WITHOUT GROUNDING CLIPS

| | | | |
|--|--|----------------------------------|---|
| THIS DRAWING IS A CONTROLLED DOCUMENT. | | OWN: J. VARELA 29 JUL 2005 | TE Connectivity |
| DIMENSIONS: mm | | CHK: J. WESTMAN 29 JUL 2005 | |
| TOLERANCES UNLESS OTHERWISE SPECIFIED: | | APP'D: S. FLICKINGER 29 JUL 2005 | NAME: STACKED MODULAR JACK ASSEMBLY 2 X 6 OFFSET, W/LEDS, 8 POSN, RJ45 SHIELDED PANEL GROUND, CAT 5 |
| 0 PLC ±0.13 | | PRODUCT SPEC: 108-1854 | |
| 1 PLC ±0.13 | | APPLICATION SPEC: 114-2160 | SIZE: A100779 CAGE CODE: 6368035 RESTRICTED TO: |
| 2 PLC ±0.13 | | WEIGHT: - | |
| 3 PLC ±0.13 | | CUSTOMER DRAWING | SCALE: 4:1 SHEET: 2 OF 2 REV: B |
| 4 PLC ±0.13 | | | |
| 5 PLC ±0.13 | | | |
| ANGLES ±1 | | | |
| MATERIAL: - | | | |
| FINISH: - | | | |