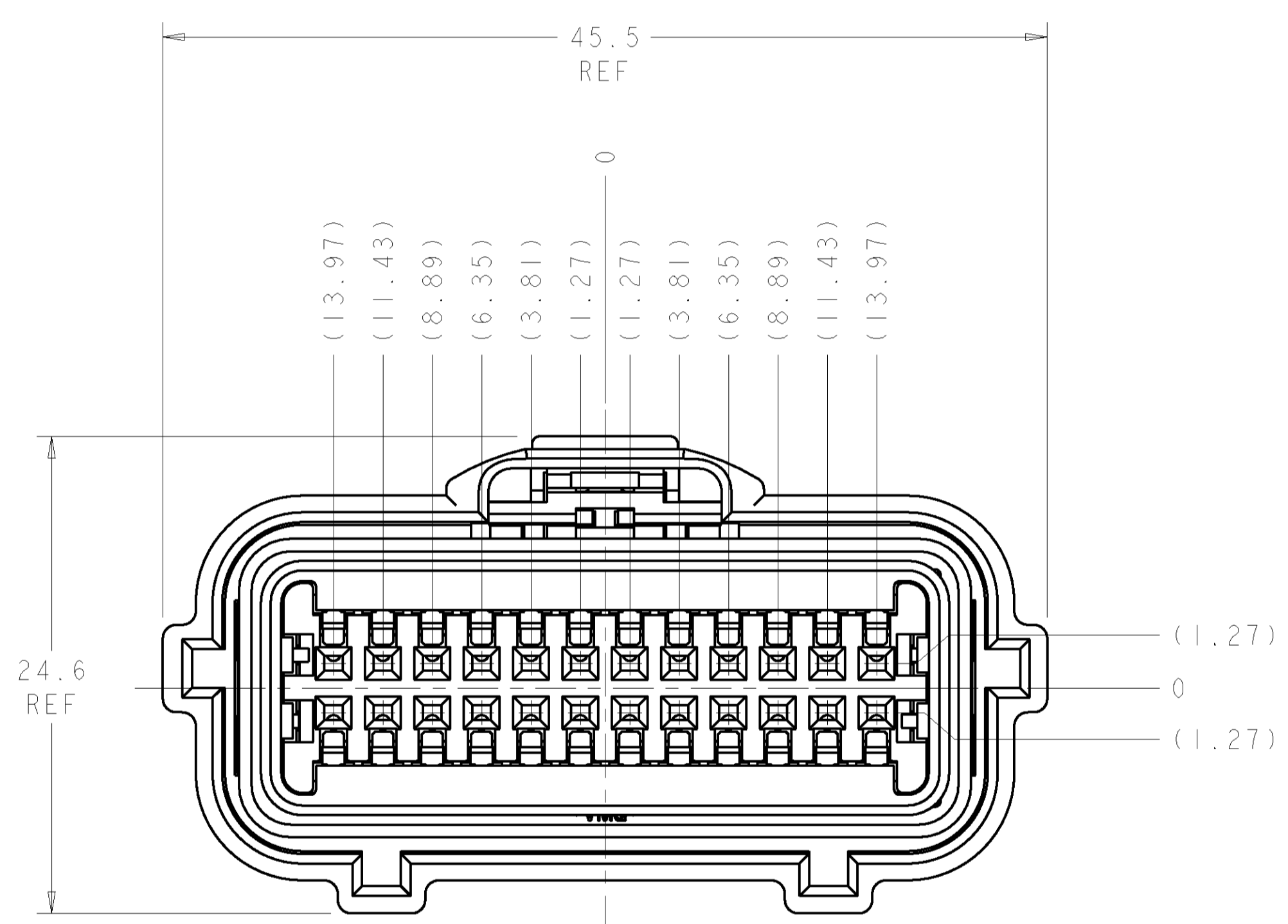
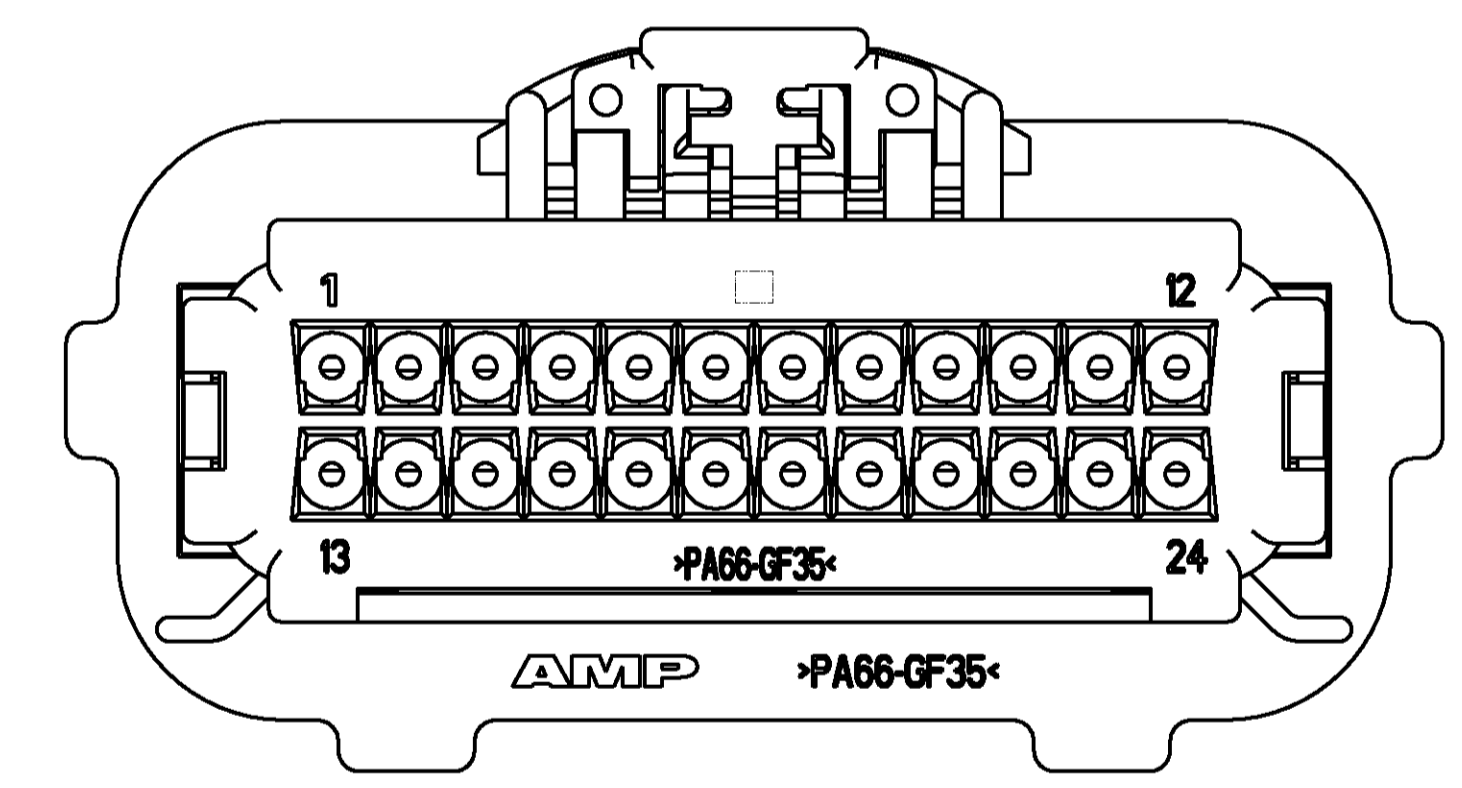
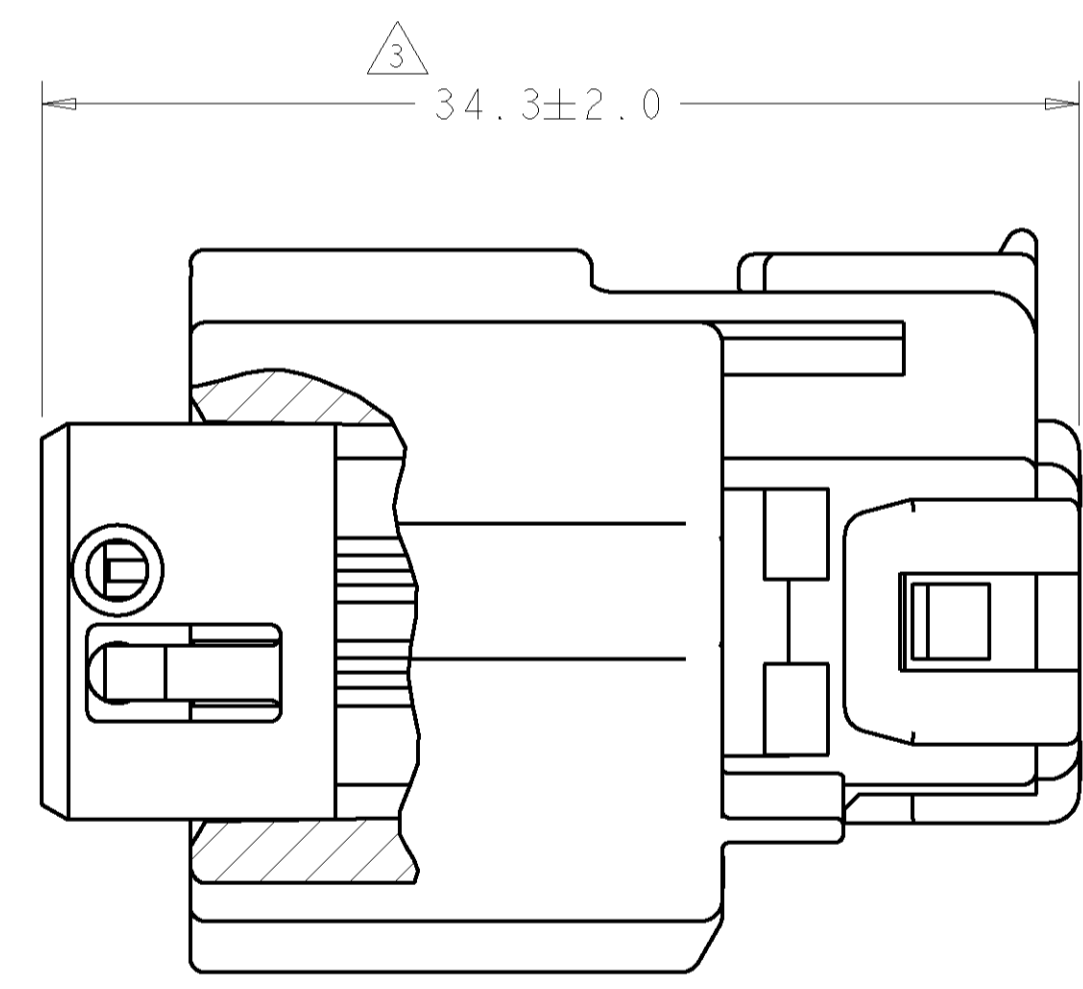
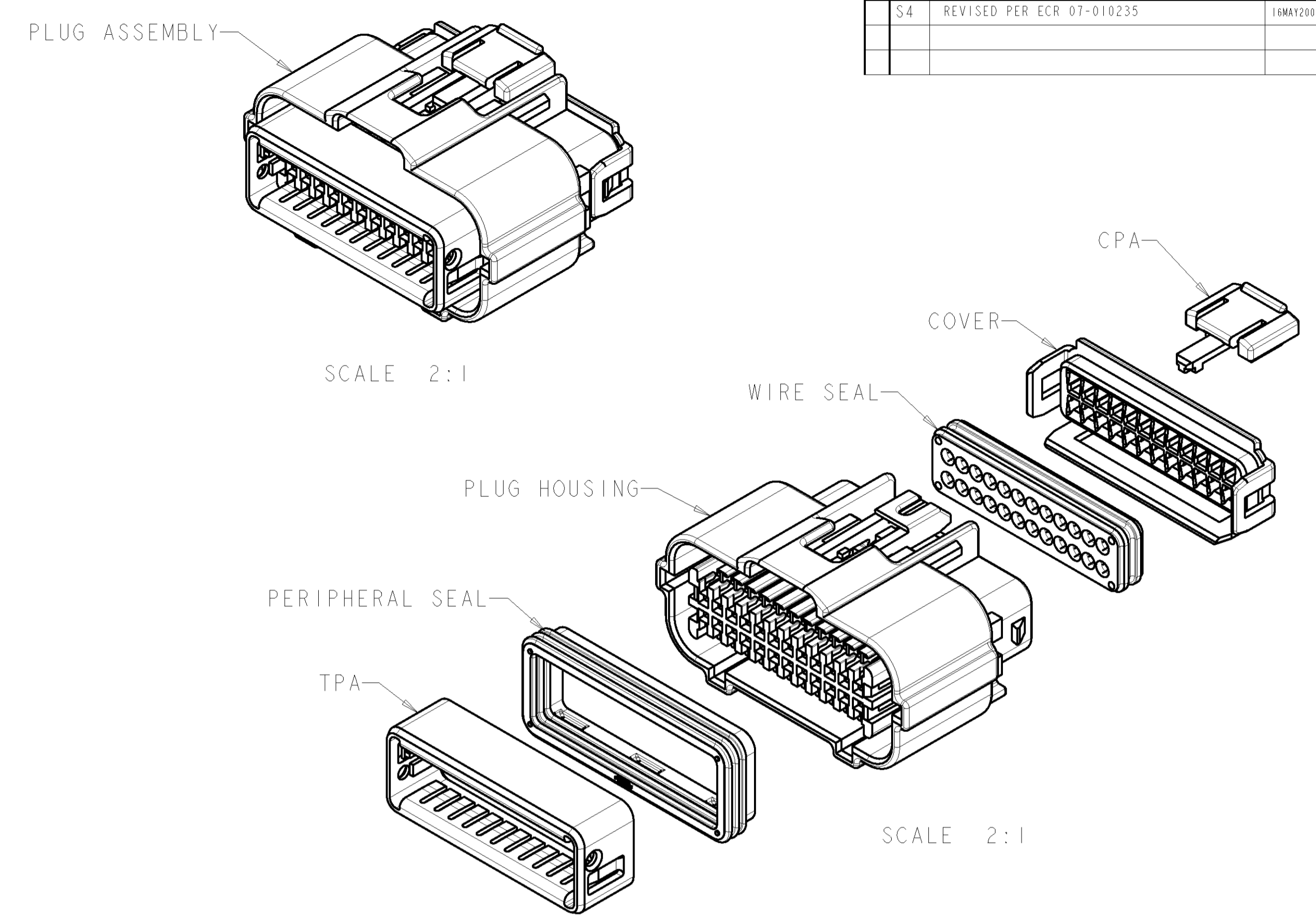
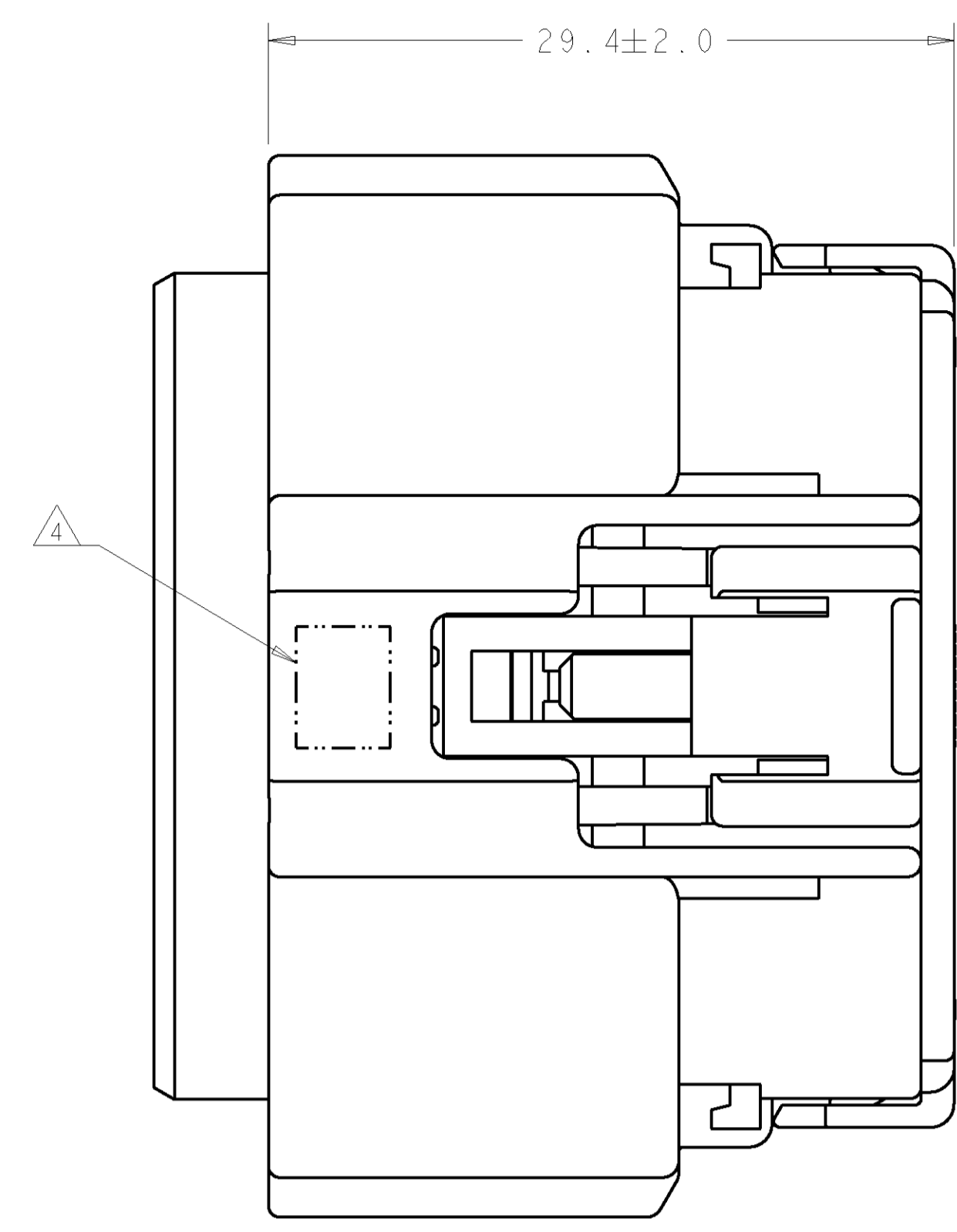


LOC	DIST	REVISIONS				
FX	00	REV	DESCRIPTION	DATE	OWN	APP'D
		S3	REVISED PER ECR 06-027790	08DEC2006	DLD	CJS
		S4	REVISED PER ECR 07-010235	16MAY2007	DLD	CJS

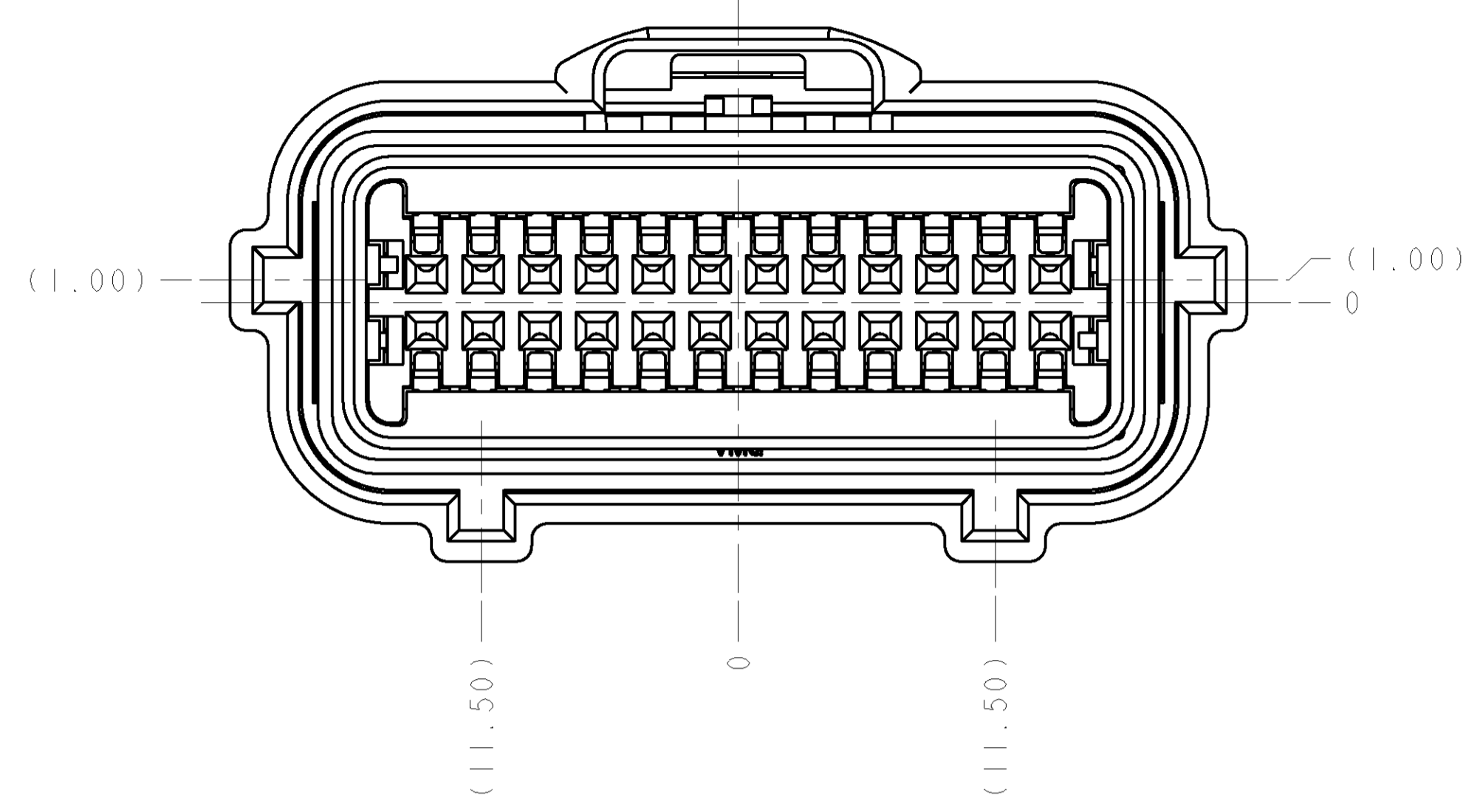


PLUG HOUSING COLOR	KEYING ARRANGEMENT (SEE SHEET 2)	PART NUMBER
BLACK	"A"	4-638849-7
BLACK	"A"	4-638849-6
BLACK	"A"	4-638849-5
BLACK	"A"	4-638849-4
BLACK	"A"	4-638849-3
BLACK	"A"	4-638849-2
BLACK	"A"	4-638849-1
BLACK	"A"	4-638849-0
BLACK	"A"	3-638849-9
BLACK	"A"	3-638849-8
BLACK	"A"	3-638849-7
BLACK	"A"	3-638849-6
BLACK	"A"	3-638849-5
BLACK	"A"	3-638849-4
BLACK	"A"	3-638849-3
BLACK	"A"	3-638849-2
BLACK	"A"	3-638849-1
BLACK	"A"	3-638849-0
BLACK	"A"	2-638849-9
BLACK	"A"	2-638849-8
BLACK	"A"	2-638849-7
BLACK	"A"	2-638849-6
BLACK	"A"	2-638849-5
BLACK	"A"	2-638849-4
BLACK	"A"	2-638849-3
BLACK	"A"	2-638849-2
BLACK	"A"	2-638849-1
BLACK	"A"	2-638849-0
TBD	"F"	1-638849-2
TBD	"E"	1-638849-1
TBD	"D"	1-638849-0
TBD	"C"	638849-9
TBD	"B"	638849-8
BLACK	"A"	638849-7

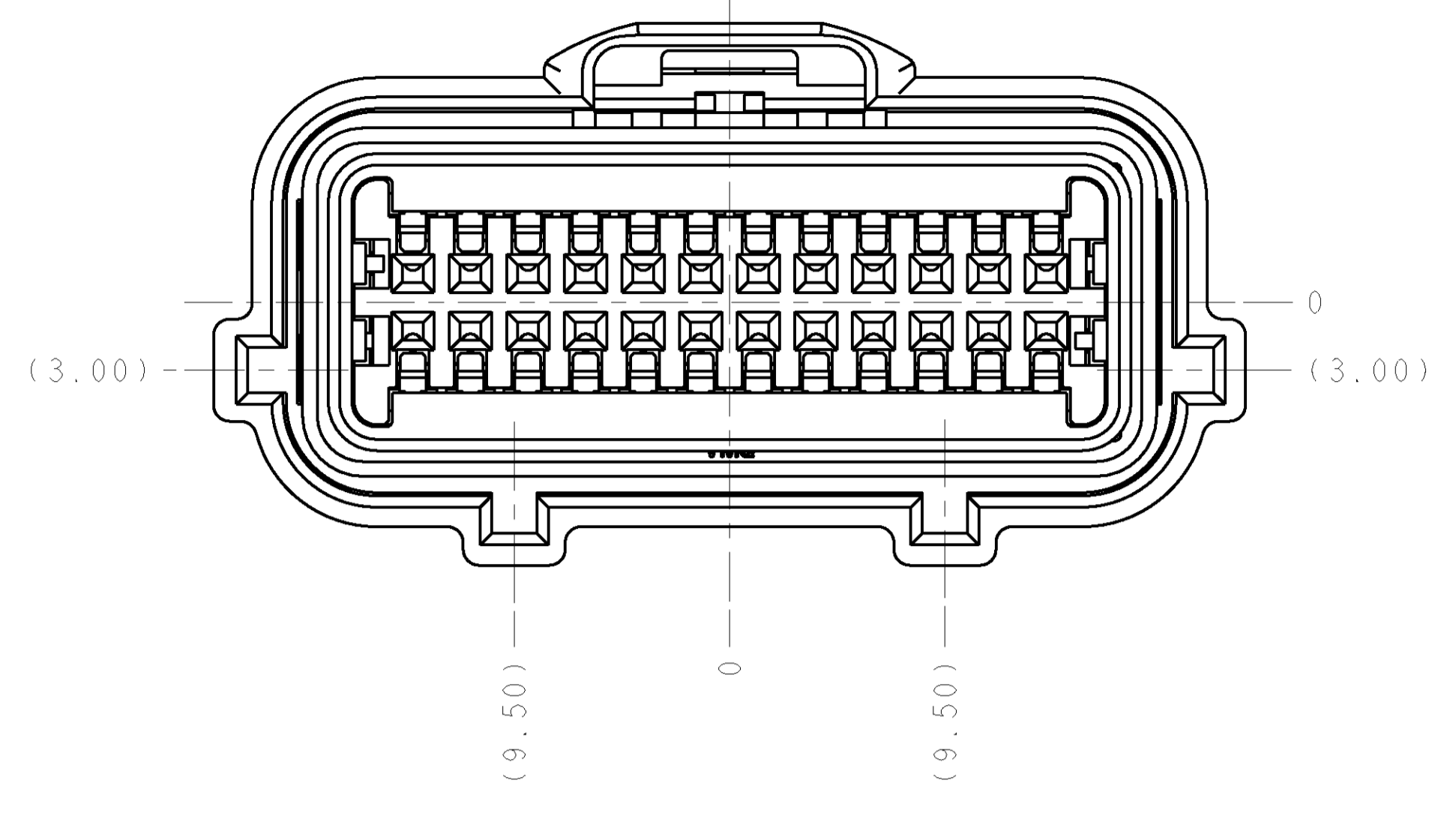
- 638849-7 SHOWN.
- PLUG HOUSING: NYLON 6/6, 35% GLASS FILLED, 25% MAX REGRIND. COLOR: SEE TABLE.  
COVER: NYLON 6/6, 35% GLASS FILLED, BLACK, 25% MAX REGRIND.  
TPA: NYLON 6/6, 35% GLASS FILLED, RED, 25% MAX REGRIND.  
PERIPHERAL SEAL AND WIRE SEAL: SILICONE RUBBER, LIGHT BLUE.  
CPA: PBT, 15% GLASS FILLED, RED
- TPA SHOWN IN PRE-LATCHED POSITION.
- MARK FOUR DIGIT JULIAN DATE CODE (DDDY), LOCATED APPROXIMATELY IN AREA SHOWN.
- TERMINALS SOLD SEPARATELY, SEE AMP RECOMMENDED P/N 1326028 (GOLD) OR 638551 (TIN) FOR TERMINATION AND REELING OPTIONS.

DIMENSIONS:		TOLERANCES UNLESS OTHERWISE SPECIFIED:		DWN: J.R. SHUEY 24MAY2000 CHK: J. HUSS 28AUG2000 AP'D: J. MYER 13NOV2000		Tyco Electronics Harrisburg, PA 17105-3608	
mm	0 PLC ±0.5 1 PLC ±0.20 3 PLC ±0.20 4 PLC ±0.20	ANGLES	FINISH	PRODUCT SPEC: SAE/USCAR-2 8/97	APPLICATION SPEC:	NAME: PLUG ASSEMBLY, 24 POSITION, 2x12, SEALED, 0.64mm CONNECTOR	RESTRICTED TO:
MATERIAL	FINISH	WEIGHT	CUSTOMER DRAWING	SIZE: A100779	SCALE: 4:1	SHEET 1 OF 3	REV: S4

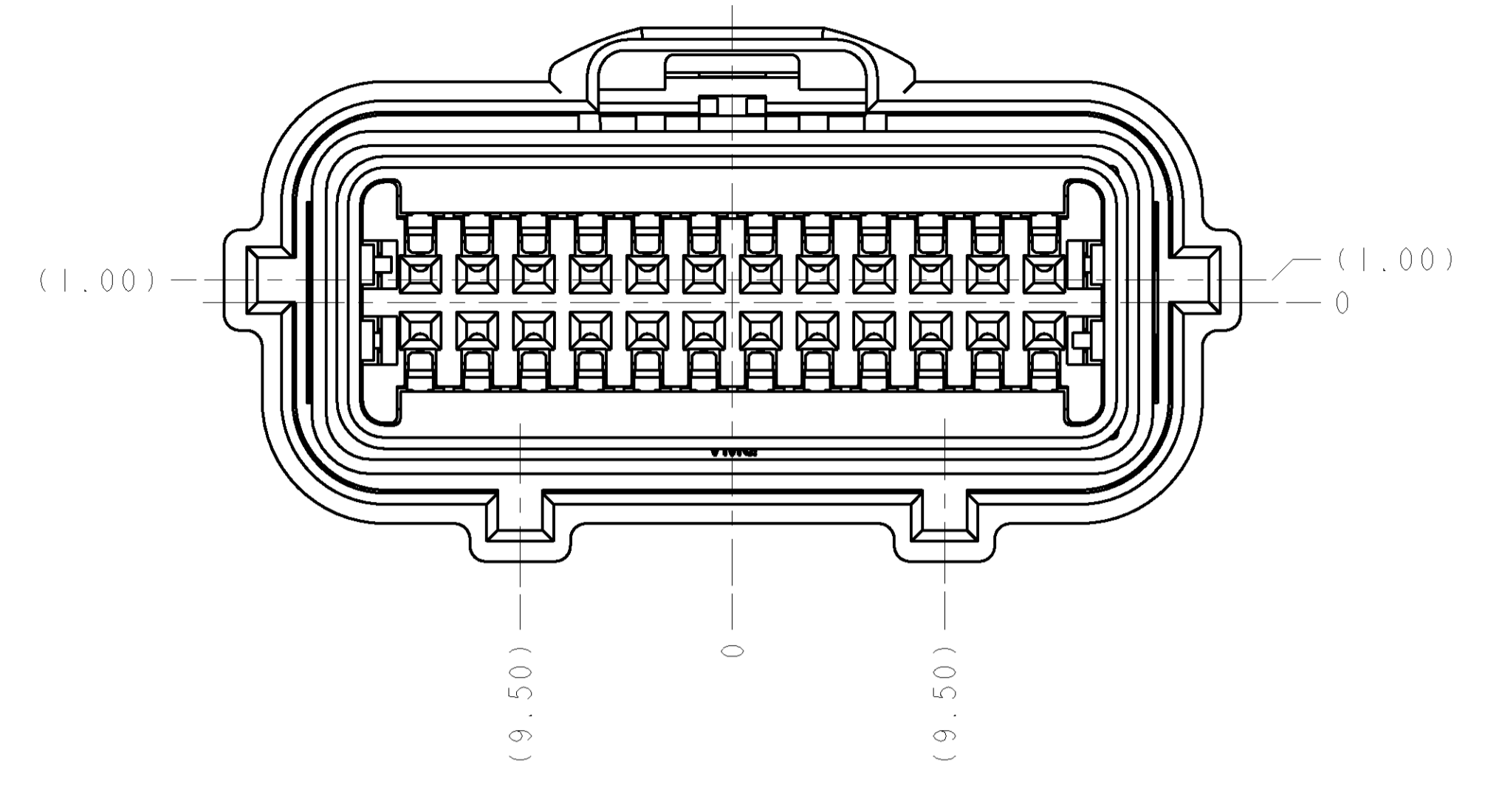
LOC		DIST		REVISIONS			
FX	00	P	LTR	DESCRIPTION	DATE	DWN	APVD
-	-	-	-	SEE SHEET 1	-	-	-



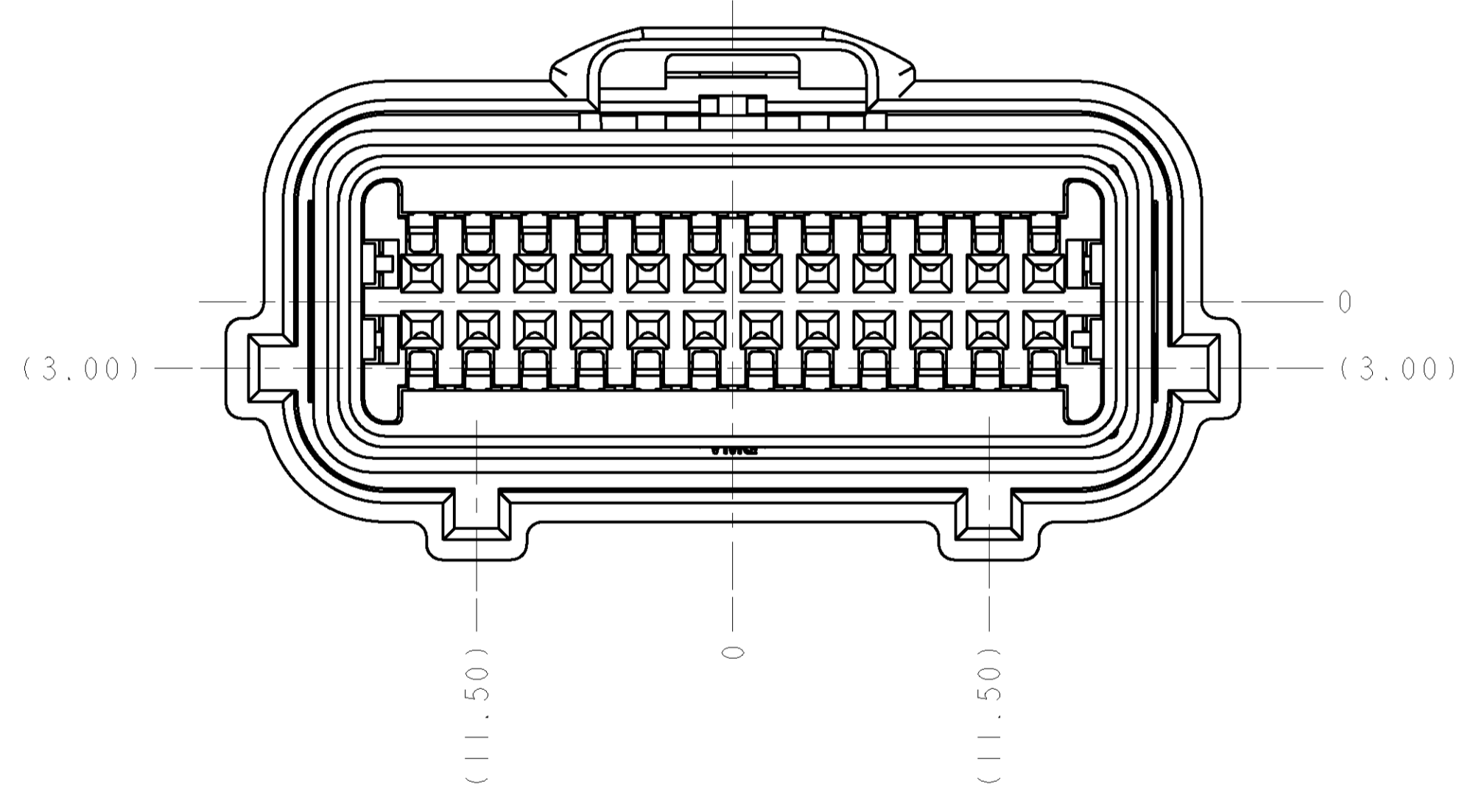
**KEY CODE "A"**  
 (APPLIES TO -1, -7, 2--1, 2--2, 2--3, 2--4, 2--5, 2--6, 2--7, 2--8, 2--9, 3--0, 3--1, 3--2, 3--3, 3--4, 3--5, 3--6, 3--7, 3--8, 3--9, 4--0, 4--1, 4--2, 4--3, 4--4, 4--5, 4--6 AND 4--7)  
 SCALE 4:1



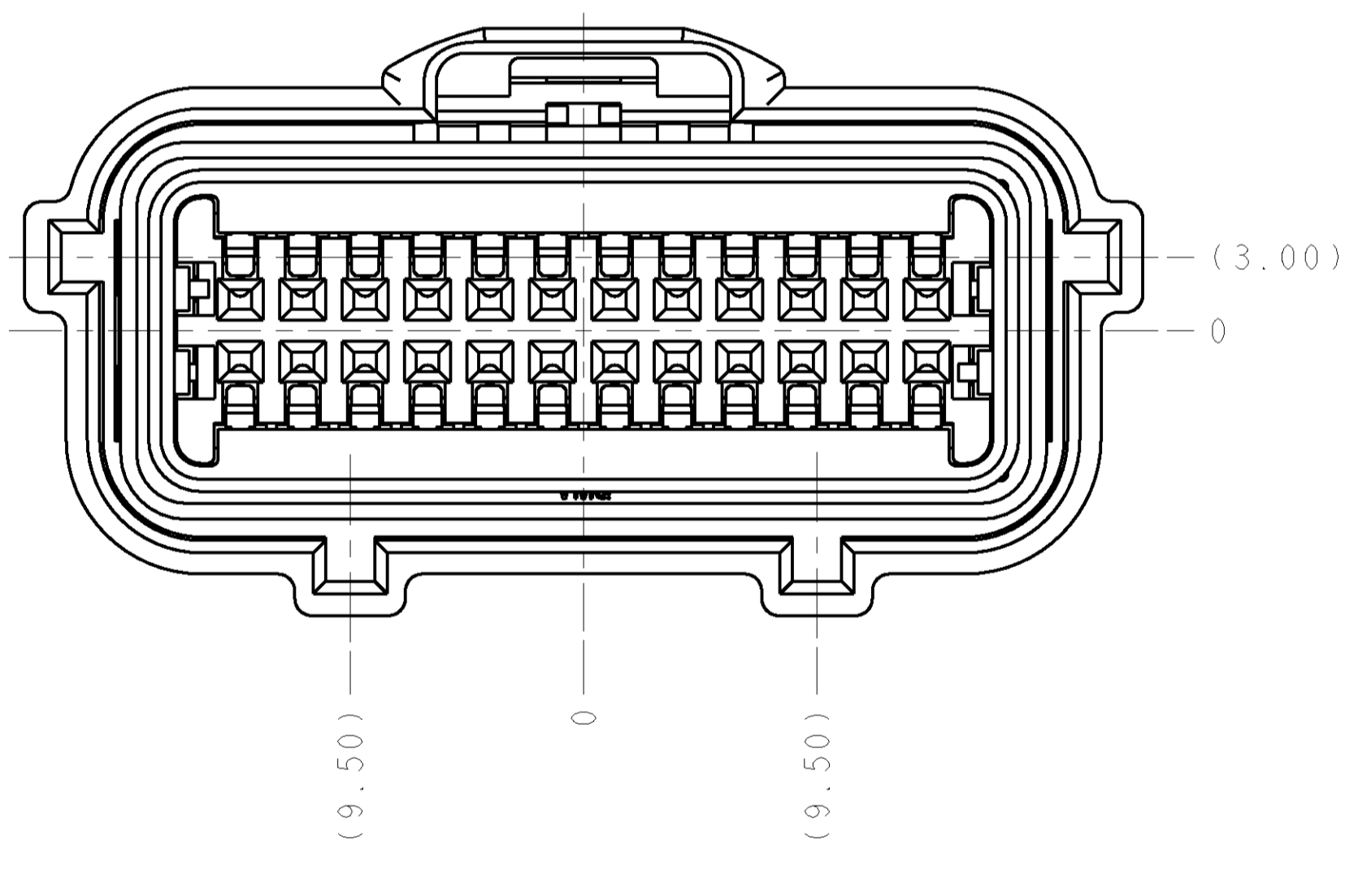
**KEY CODE "B"**  
 (APPLIES TO -2 AND -8 ONLY)  
 SCALE 4:1



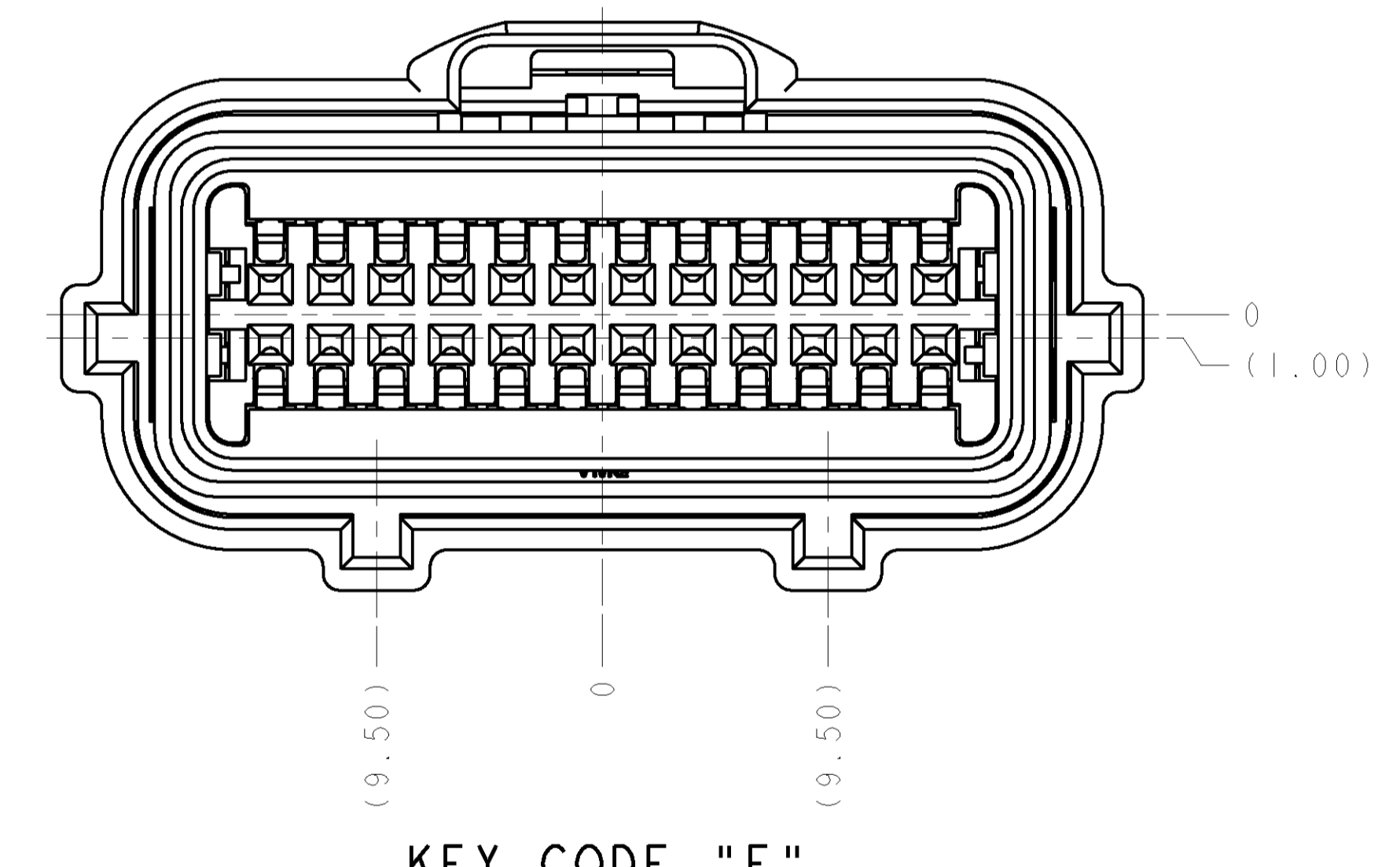
**KEY CODE "C"**  
 (APPLIES TO -3 AND -9 ONLY)  
 SCALE 4:1



**KEY CODE "D"**  
 (APPLIES TO -4 AND 1--0 ONLY)  
 SCALE 4:1



**KEY CODE "E"**  
 (APPLIES TO -5 AND 1--1 ONLY)  
 SCALE 4:1



**KEY CODE "F"**  
 (APPLIES TO -6 AND 1--2 ONLY)  
 SCALE 4:1

<small>THE INFORMATION CONTAINED HEREIN IS UNCLASSIFIED EXCEPT WHERE SHOWN OTHERWISE. IT IS SUBJECT TO CHANGE WITHOUT NOTICE AND WITHOUT OBLIGATION TO BE KEPT UP TO DATE.</small>		DWN J.R. SHUEY 24MAY2000 CHK J. HUSS 28AUG2000 APVD J. MYER 13NOV2000	Tyco Electronics Harrisburg, PA 17105-3608
DIMENSIONS: mm 	TOLERANCES UNLESS OTHERWISE SPECIFIED: 0 PLC ± 1 PLC ±0.5 2 PLC ±0.20 3 PLC ± 4 PLC ± ANGLES ±	NAME PRODUCT SPEC SAE/USCAR-2 8/97 APPLICATION SPEC	PLUG ASSEMBLY, 24 POSITION, 2x12, SEALED, 0.64mm CONNECTOR
MATERIAL	FINISH	WEIGHT CUSTOMER DRAWING	SIZE A 100779 ©=638849 SCALE 4:1 SHEET 2 OF 3 REV S4

LOC	DIST	REV	DATE	BY	APPV
FX	00				

REVISIONS				
NO.	DESCRIPTION	DATE	BY	APPV
-	SEE SHEET 1	-	-	-

24	23	22	21	20	19	18	17	16	15	14	13	12	11	10	9	8	7	6	5	4	3	2	1	ASSEMBLY PART NUMBER	PLUG KEYING OPTION
		22		20	19	18	17			14				10			7	6	5	4			1	4-638849-7	KEY "A"
	23			20	19	18	17		15	14	13	12					7							4-638849-6	KEY "A"
	23			20	19	18			15	14	13	12					7							4-638849-5	KEY "A"
				20	19		17		15	14		12					7							4-638849-4	KEY "A"
	23	22	21		19	18	17		15	14		12		10			7	6	5	4	3		1	4-638849-3	KEY "A"
	23			20	19		17		15	14	13	12					7							4-638849-2	KEY "A"
	23			20	19				15	14	13	12					7							4-638849-1	KEY "A"
	23			20	19		17		15		13	12					7							4-638849-0	KEY "A"
	23			20	19				15		13	12					7							3-638849-9	KEY "A"
	23			20	19				15	14	13	12					7							3-638849-8	KEY "A"
	23		21		19	18			15			12						6	5	4	3		1	3-638849-7	KEY "A"
	23	22	21	20	19	18	17	16	15	14		12	11	10			7	6	5	4	3		1	3-638849-6	KEY "A"
	23			20	19		17		15	14		12					7							3-638849-5	KEY "A"
	23								15		13	12					7							3-638849-4	KEY "A"
	23						17		15		13	12					7							3-638849-3	KEY "A"
	23						17		15	14	13	12					7							3-638849-2	KEY "A"
24				20	19		17		15			12					7							3-638849-1	KEY "A"
	23			20	19		17		15	14		12					7							3-638849-0	KEY "A"
				20	19		17		15	14		12					7							2-638849-9	KEY "A"
24	23			20	19		17		15	14		12					7							2-638849-8	KEY "A"
24	23			20	19		17			14							7							2-638849-7	KEY "A"
24	23			20	19		17		15			12					7							2-638849-6	KEY "A"
24	23			20	19		17										7							2-638849-5	KEY "A"
	23								15	14	13	12		10			7							2-638849-4	KEY "A"
	23								15	14	13	12		10			7							2-638849-3	KEY "A"
	23								15		13	12		10			7							2-638849-2	KEY "A"
	23						17		15		13	12		10			7							2-638849-1	KEY "A"

TERMINAL HOLE POSITION  
 CAVITIES WITH A NUMERIC SYMBOL INDICATE CLOSED TERMINAL HOLE POSITIONS  
 BLANK CAVITIES INDICATE OPEN TERMINAL HOLE POSITIONS

<small>THIS DRAWING IS UNPUBLISHED. IT IS SUBJECT TO CHANGE AND SHOULD BE USED IN CONSULTATION WITH THE DESIGNING ORGANIZATION UNLESS OTHERWISE SPECIFIED.</small>		DWN: J.R. SHUEY 24MAY2000 CHK: J. HUSS 28AUG2000 APVD: J. MYER 13NOV2000	Tyco Electronics Harrisburg, PA 17105-3608
DIMENSIONS: mm 	TOLERANCES UNLESS OTHERWISE SPECIFIED: 0 PLC ± 1 PLC ±0.5 2 PLC ±0.20 3 PLC ± 4 PLC ± ANGLES ±	PRODUCT SPEC: SAE/USCAR-2 8/97 APPLICATION SPEC:	NAME: PLUG ASSEMBLY, 24 POSITION, 2x12, SEALED, 0.64mm CONNECTOR SIZE: A   00779   C=638849 WEIGHT: - RESTRICTED TO: -
MATERIAL: -	FINISH: -	SCALE: 4:1	SHEET 3 OF 3