

THIS DRAWING IS UNPUBLISHED.

RELEASED FOR PUBLICATION

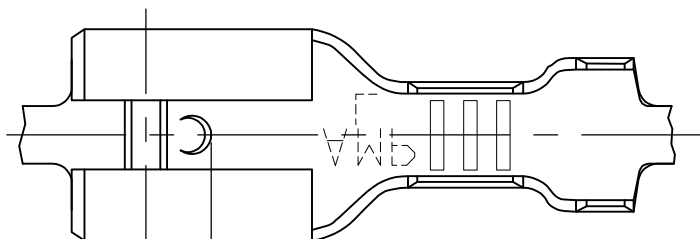
© COPYRIGHT - By -

ALL RIGHTS RESERVED.

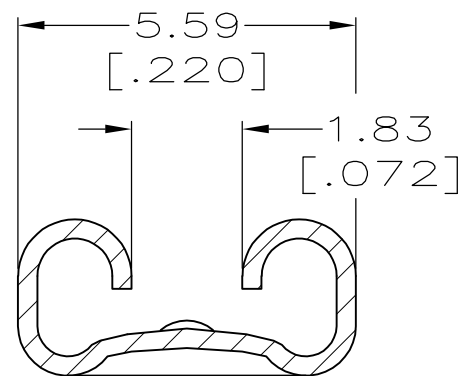
LOC AF DIST 50

REVISIONS

P	LTR	DESCRIPTION	DATE	DWN	APVD
C1		REVISED PER ECR-14-013030	02SEP2014	NK	DC

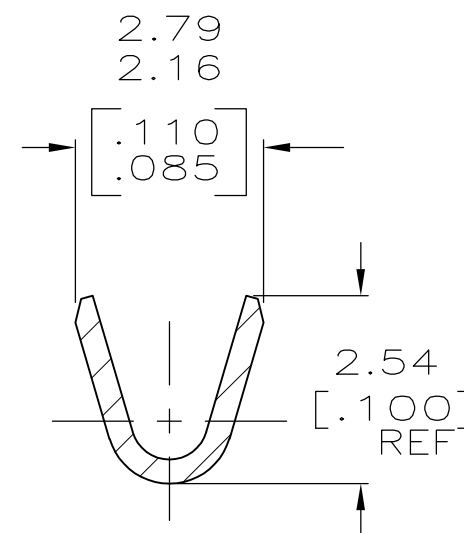
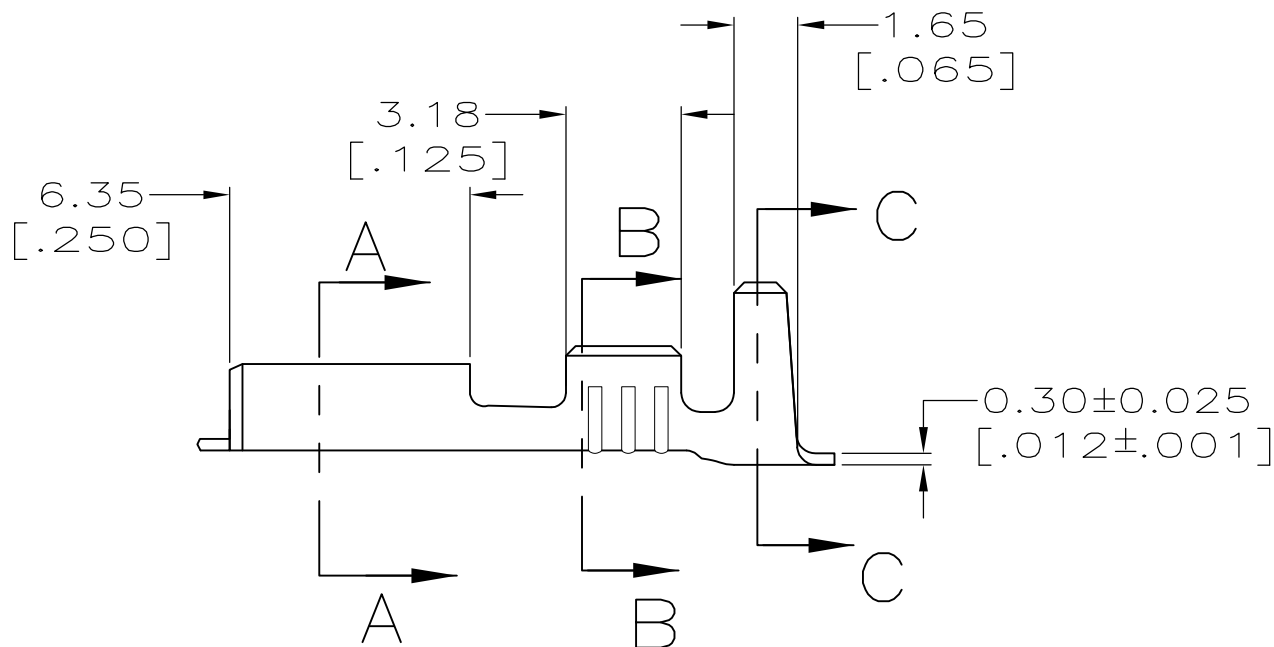


3.68  
[.145]

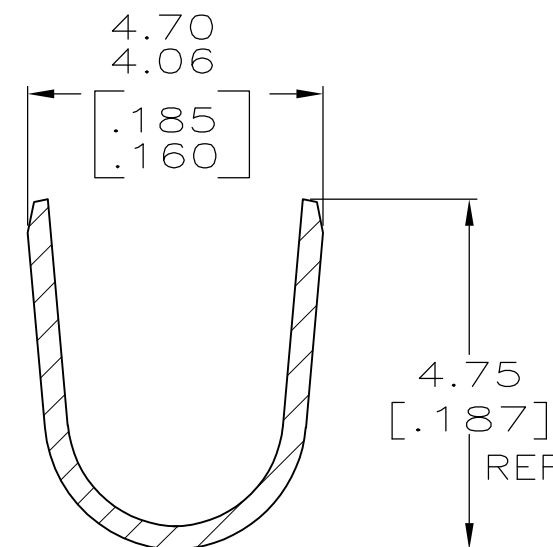


SECTION A-A  
SCALE 8:1

- 1 CONTINUOUS STRIP ON REELS.
- 2 WIRE SIZE [#22-#18] AWG.
- 3 INSULATION RANGE TO BE 2.29-3.81 [.090-.150] DIA.
- 4 MATING TAB THK IS 0.813±0.025 [.032±.001]



SECTION B-B  
SCALE 10:1



SECTION C-C  
SCALE 10:1

PLAIN	63931-2
TIN	63931-1
FINISH	PART NO.

THIS DRAWING IS A CONTROLLED DOCUMENT.		DWN JR RUTH 9/16/96	TE Connectivity RECEPTACLE, FASTON, 4.75 [.187] SERIES					
DIMENSIONS: mm [INCHES]		CHK MS FEHER 9/16/96				NAME		
TOLERANCES UNLESS OTHERWISE SPECIFIED:		APVD P DESANTIS 9/16/96				PRODUCT SPEC		
0 PLC ± - 1 PLC ± - 2 PLC ± 0.25 [.010] 3 PLC ± - 4 PLC ± - ANGLES ± -		APPLICATION SPEC 114-2036				RESTRICTED TO		
MATERIAL BRASS		FINISH	WEIGHT -	SIZE A3	CAGE CODE 00779	DRAWING NO C-63931		
CUSTOMER DRAWING			SCALE 5:1	SHEET 1 OF 1	REV C1			