

THIS DRAWING IS UNPUBLISHED.

RELEASED FOR PUBLICATION

ALL RIGHTS RESERVED.

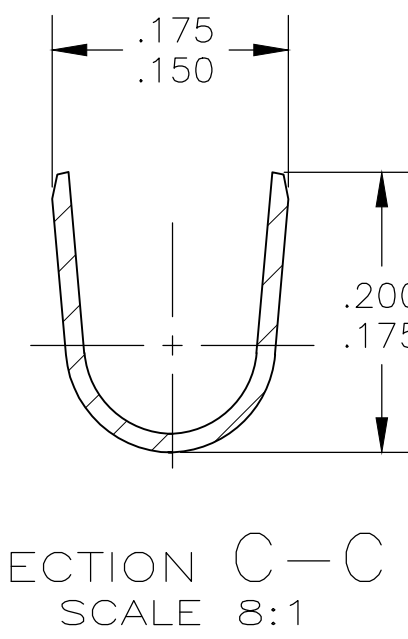
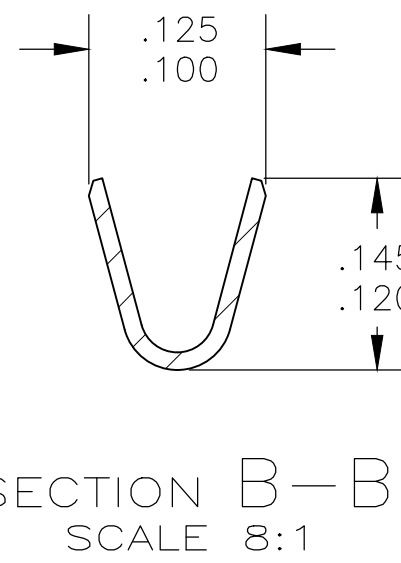
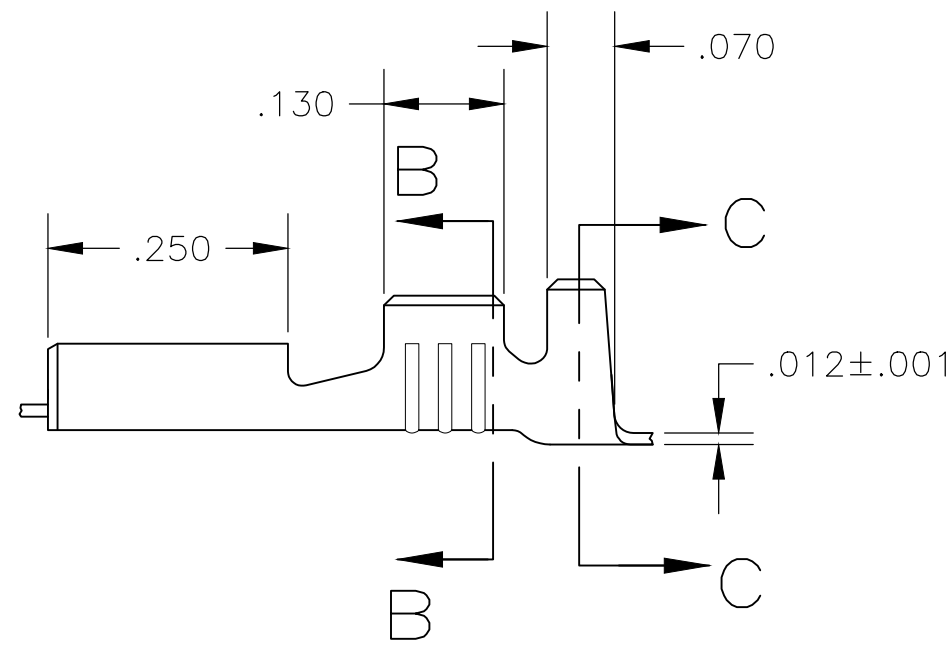
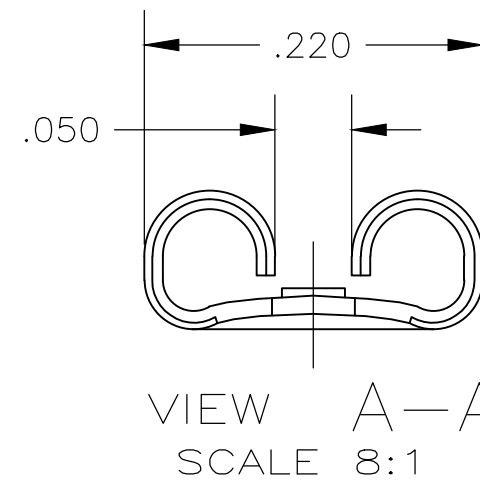
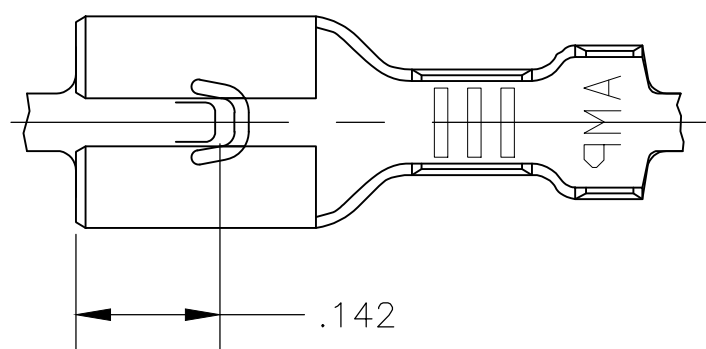
© COPYRIGHT - By -

LOC AF DIST 50


REVISIONS

P	LTR	DESCRIPTION	DATE	DWN	APVD
C1		REVISED PER ECR-18-008939	11JUN2018	BH	RP

- 1 CONTINUOUS STRIP ON REELS.
- 2 MATING TAB THK TO BE  $.020 \pm .001$
- 3 WIRE SIZE IS #20-#16 AWG.
- 4 INSULATION RANGE IS  $.090-.130$



63970-1  
PART NO.

THIS DRAWING IS A CONTROLLED DOCUMENT.		DWN JR RUTH 6/10/97	 <b>TE Connectivity</b> RECEPTACLE, FASTON, LOW-INSERTION, .187 SERIES				
DIMENSIONS: INCHES		CHK MS FEHER 6/10/97				NAME	
TOLERANCES UNLESS OTHERWISE SPECIFIED: .010		APVD D BRATINA 6/10/97				PRODUCT SPEC	
6 PLC ± - 1 PLC ± - 2 PLC ± - 3 PLC ± - 4 PXC ± - ANGLES ± -		APPLICATION SPEC 114-2036				RESTRICTED TO	
MATERIAL BRASS		FINISH -	WEIGHT -	SIZE A3	CAGE CODE 00779	DRAWING NO C-63970	RESTRICTED TO -
CUSTOMER DRAWING			SCALE 5:1	SHEET 1 OF 1	REV C1		