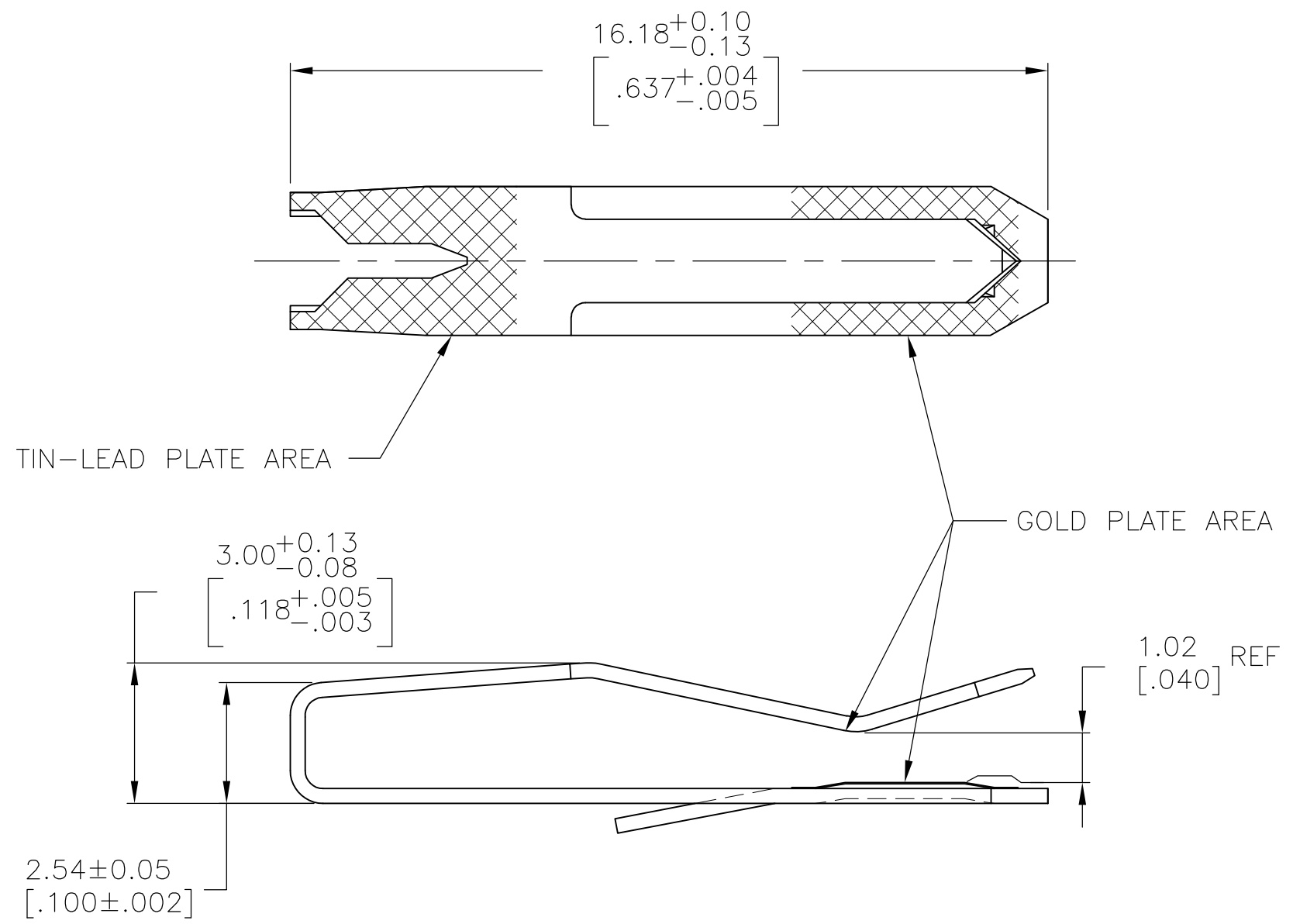


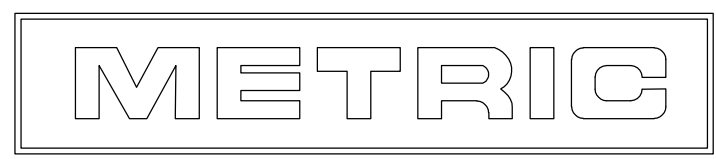
THIS DRAWING IS UNPUBLISHED. RELEASED FOR PUBLICATION  
 © COPYRIGHT - By - ALL RIGHTS RESERVED.

| LOC | DIST | REVISIONS |     |                           |         |     |      |
|-----|------|-----------|-----|---------------------------|---------|-----|------|
|     |      | P         | LTR | DESCRIPTION               | DATE    | DWN | APVD |
| CM  | 00   |           |     |                           |         |     |      |
|     |      | C1        |     | REVISED PER ECO-11-014117 | 13JUL11 | HMR | SM   |



- DIMENSIONS IN BRACKETS ARE IN INCHES.
- $\triangle 2$  0.00038 [.000015] MIN THICK GOLD IN THE GOLD PLATE AREA OVER 0.00127 [.000050] MIN THICK NICKEL.
- $\triangle 3$  0.00076 [.000030] MIN THICK GOLD IN THE GOLD PLATE AREA OVER 0.00127 [.000050] MIN THICK NICKEL.
- $\triangle 4$  0.00203 [.000080] MIN THICK TIN-LEAD IN THE TIN-LEAD PLATE AREA OVER 0.00127 [.000050] MIN THICK NICKEL.
- $\triangle 5$  MATTE TIN 0.00203(.000080) MIN THICK IN TIN PLATED AREA

|          |                           |          |
|----------|---------------------------|----------|
| OBSOLETE | $\triangle 3 \triangle 5$ | 641143-4 |
|          | $\triangle 2 \triangle 5$ | 641143-3 |
|          | $\triangle 3 \triangle 4$ | 641143-2 |
|          | $\triangle 2 \triangle 4$ | 641143-1 |
|          | FINISH                    | PART NO  |



|  |  |                  |           |  |  |
|--|--|------------------|-----------|--|--|
| THIS DRAWING IS A CONTROLLED DOCUMENT. |  | DWN BSV          | 25OCT2005 | <b>STE</b> TE Connectivity                                   |  |
| DIMENSIONS: mm [INCHES]                |  | CHK D. BOSSI     | 25OCT2005 |  |  |
| TOLERANCES UNLESS OTHERWISE SPECIFIED: |  | APVD D. BOSSI    | 25OCT2005 | NAME CONTACT, GOLD STRIPE, 18 AWG WIRE, LOOSE PIECE, MTA 156 |  |
| 0 PLC ± -                              |  | PRODUCT SPEC     |           | SIZE   |  |
| 1 PLC ± -                              |  | APPLICATION SPEC |           | CAGE CODE  |  |
| 2 PLC ± -                              |  | WEIGHT           |           | DRAWING NO   |  |
| 3 PLC ± 0.13 [.005]                    |  | CUSTOMER DRAWING |           | RESTRICTED TO  |  |
| 4 PLC ± -                              |  | SCALE 8:1        |           | SHEET 1 OF 1   |  |
| ANGLES ± -                             |  | SHEET 1 OF 1     |           | REV C1   |  |
| FINISH SEE TABLE                       |  | A3 00779         |           | C-641143   |  |
| MATERIAL 0.30 [.012] THK COPPER ALLOY  |  | SCALE 8:1        |           | SHEET 1 OF 1   |  |
|  |  | SHEET 1 OF 1     |           | REV C1   |  |