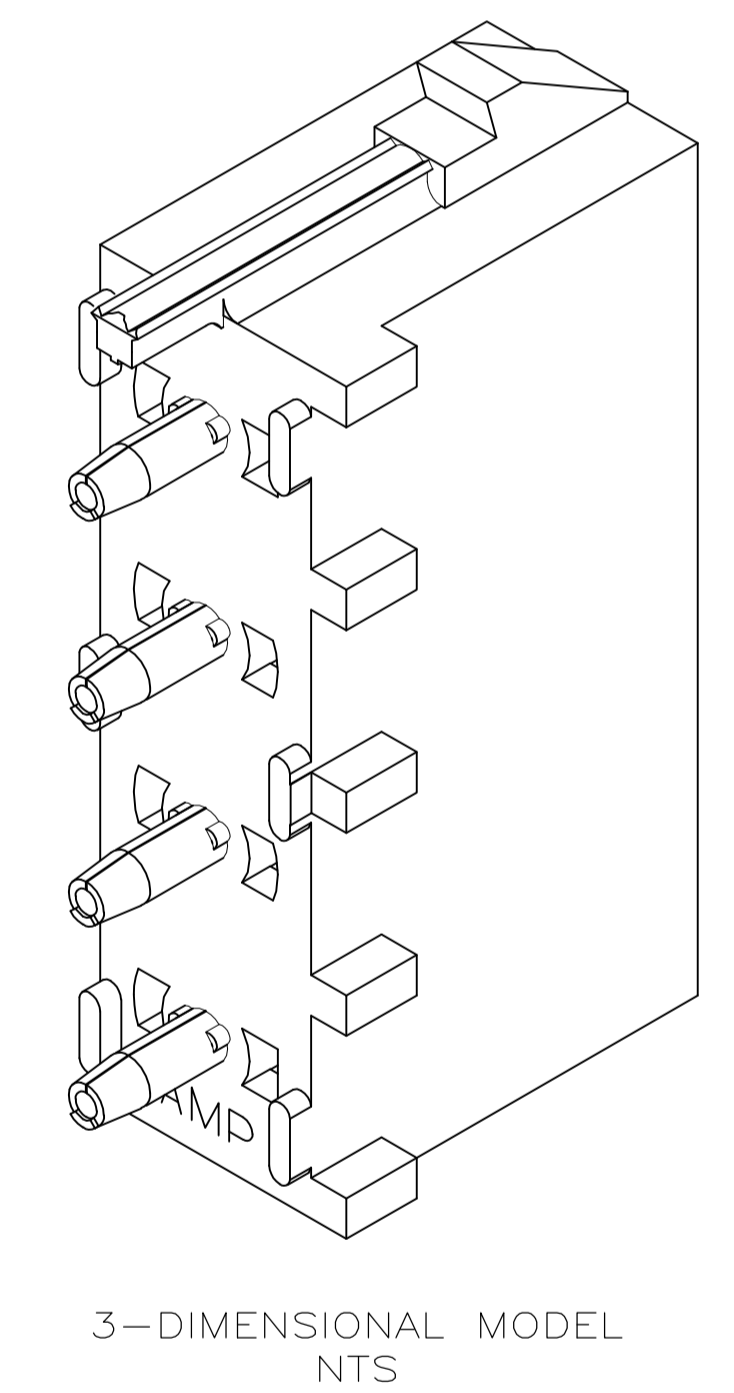
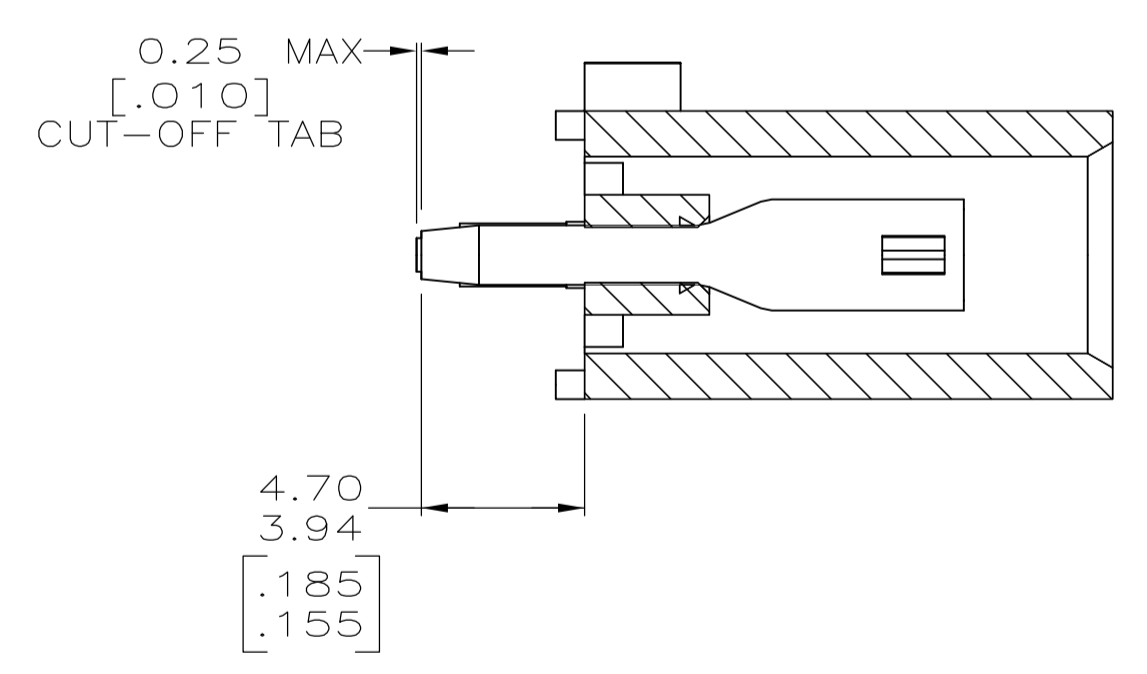
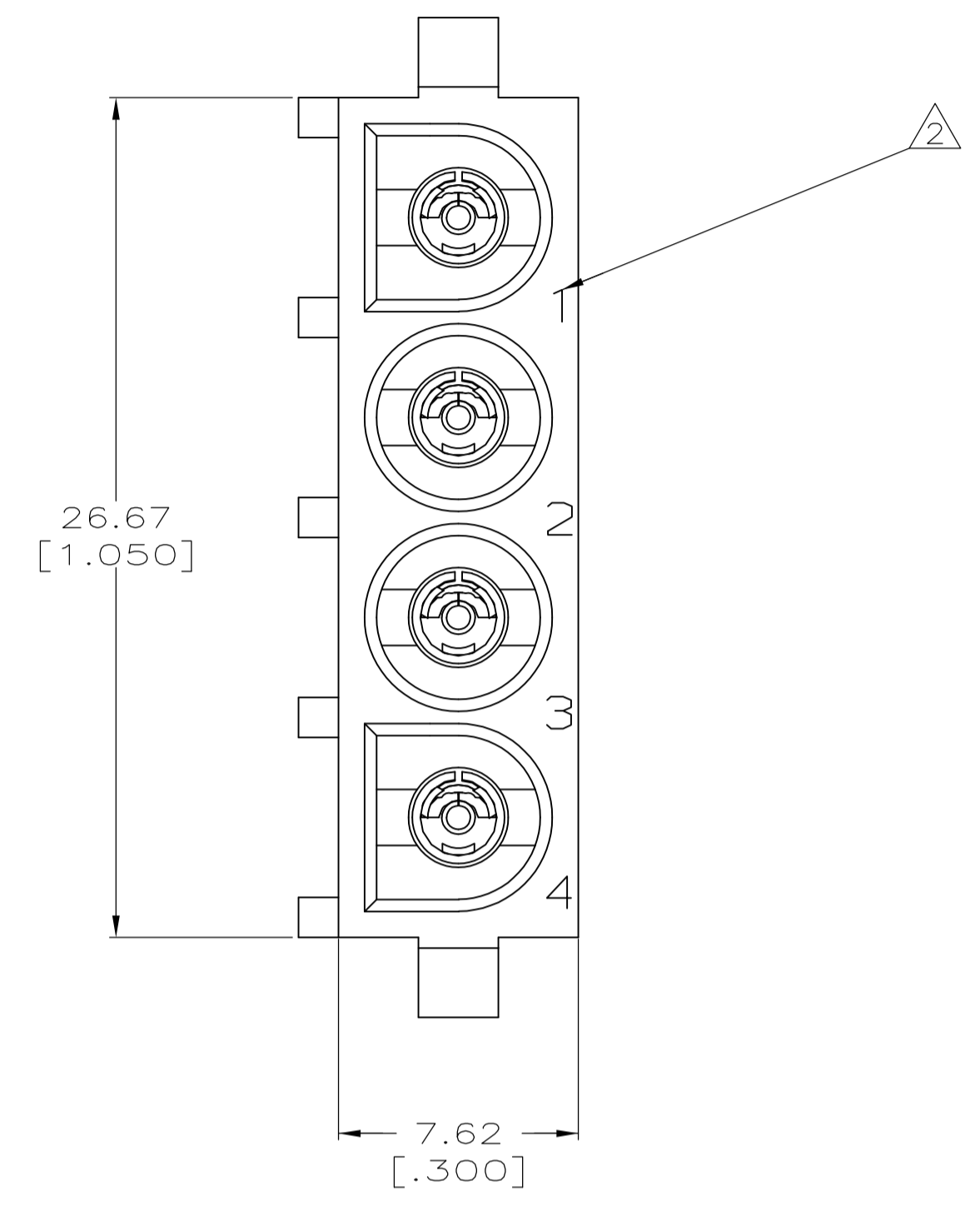
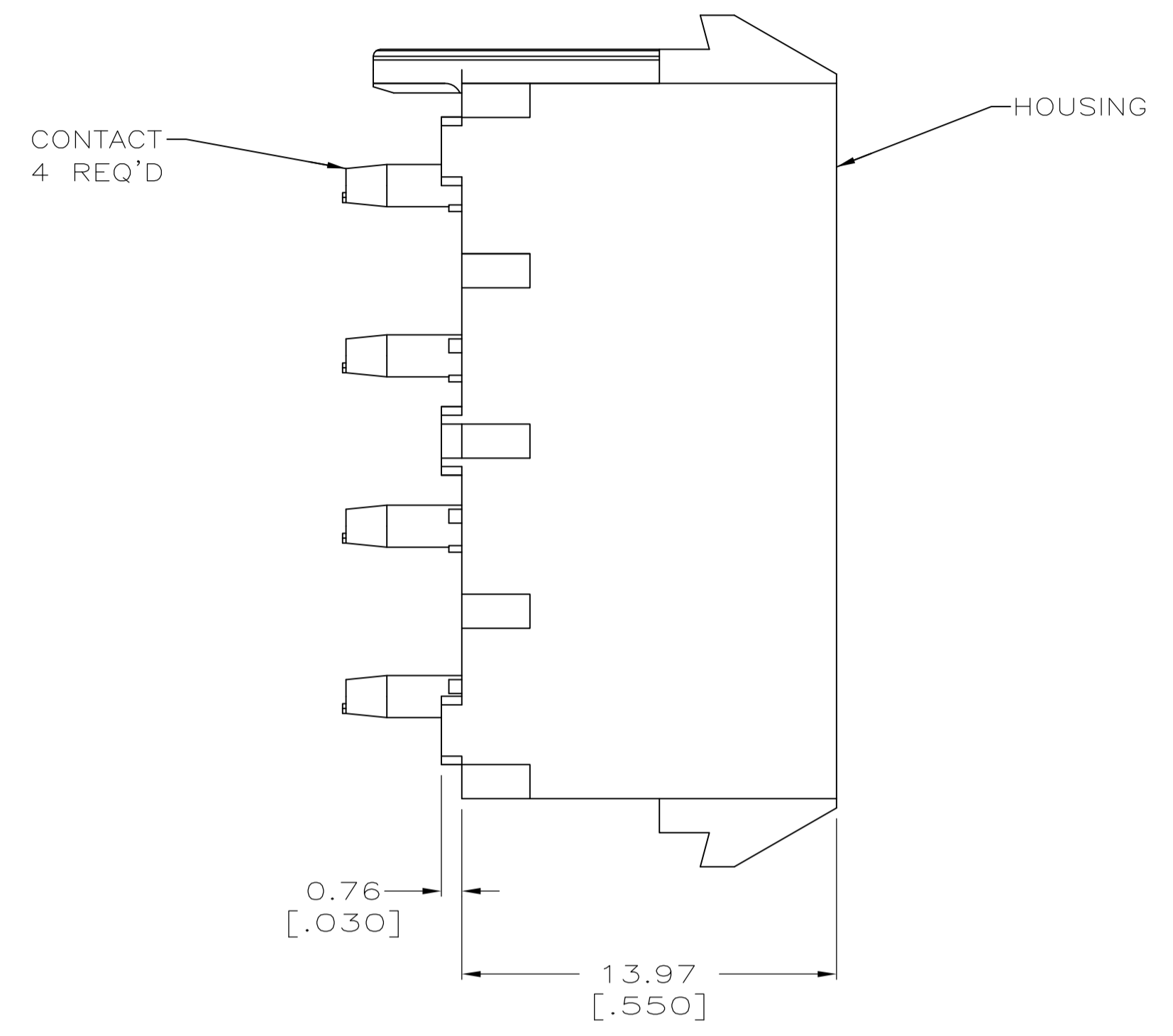
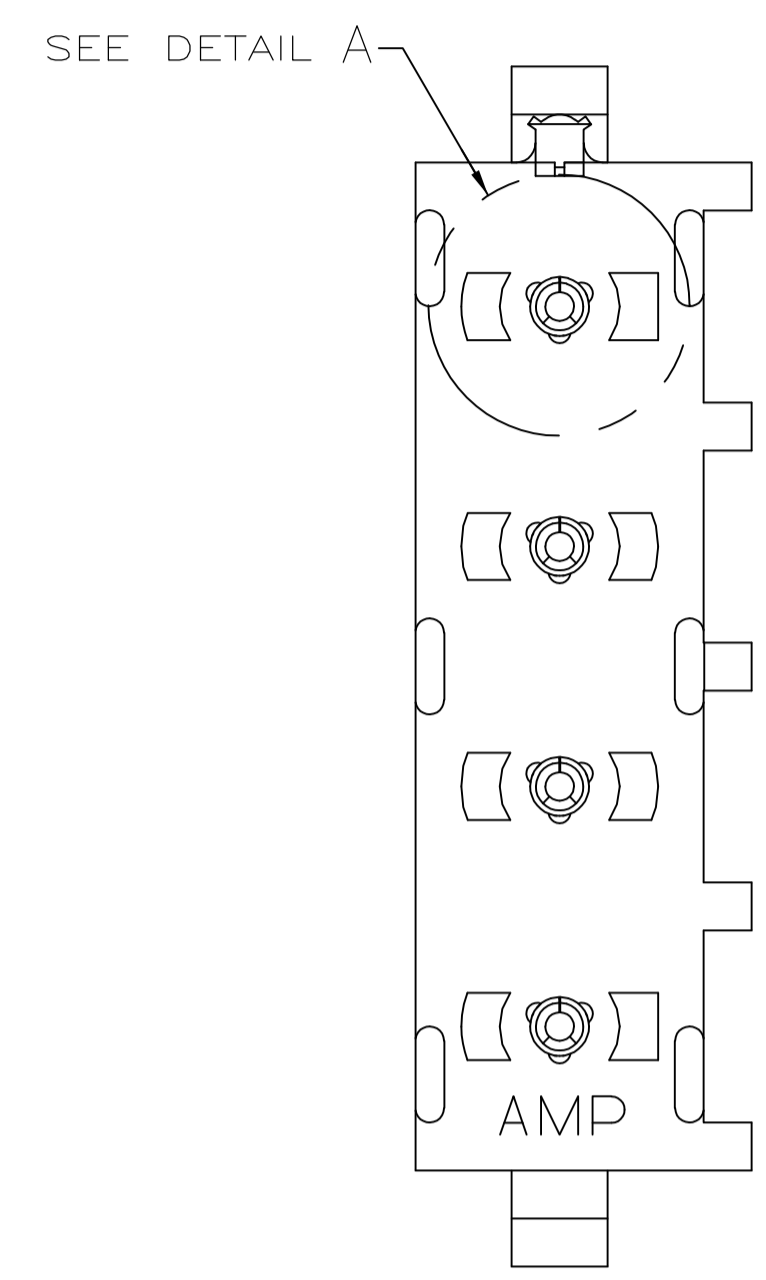
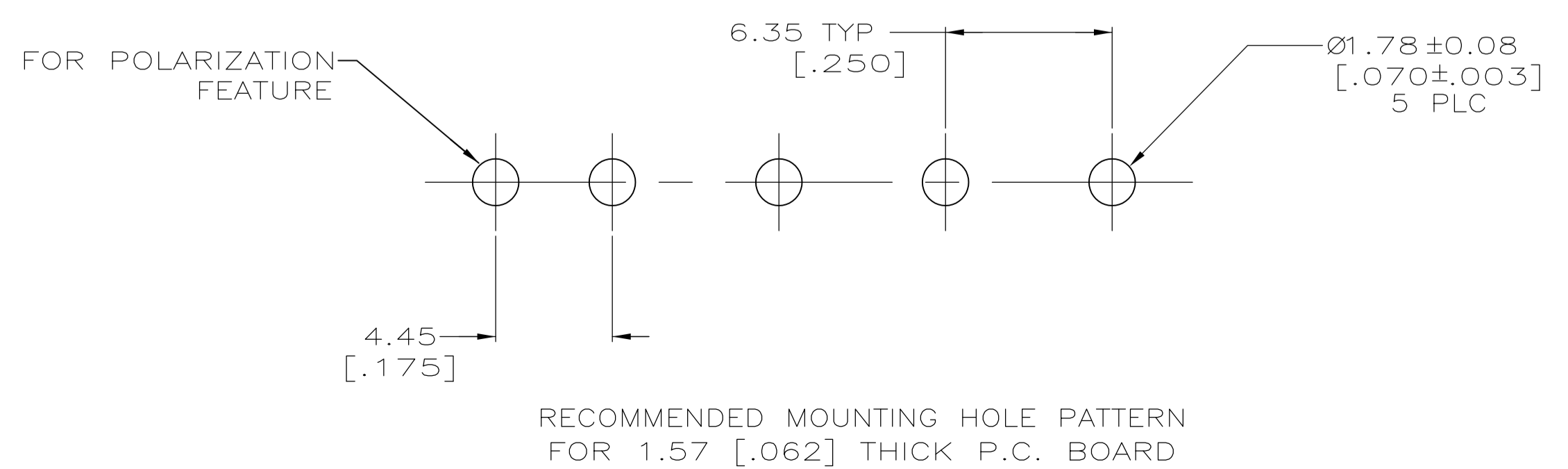


| LOC | | DIST | | REVISIONS | | | |
|-----|-----|-----------------------------|-----------|-----------|------|--|--|
| P | LTR | DESCRIPTION | DATE | DMN | APVD | | |
| G | | REVISED PER EC 063B-0300-00 | 23-JUN-00 | KW | KC | | |
| G1 | | REVISED PER ECR-14-006433 | 13MAY14 | AV | KD | | |



- PARTS COMPLY TO TE SOLDERABILITY SPECIFICATION 109-11-3.
- CIRCUIT IDENTIFICATION CHARACTERS ARE ADJACENT TO THE INDICATED CAVITIES, BUT LOCATION AND ORIENTATION MAY DIFFER FROM PRINT.
- DIMENSIONS IN BRACKETS ARE IN INCHES.
- △ DRAIN HOLES LOCATED AS SHOWN. OPTIONAL CONSTRUCTION- ALL DRAIN HOLES LOCATED 90° AS SHOWN IN DETAIL A.



| | | |
|--|-------------------------|--|
| PHOSPHOR BRONZE, PRE-TIN | NYLON, UL94V-2, NATURAL | 643415-1 |
| PIN CONTACT MATERIAL AND FINISH | HOUSING MATERIAL | PART NO. |
| THIS DRAWING IS A CONTROLLED DOCUMENT. DIMENSIONS: mm [INCHES] TOLERANCES UNLESS OTHERWISE SPECIFIED: 0 PLC ± - 1 PLC ± - 2 PLC ± 0.13 [.005] 3 PLC ± - 4 PLC ± - ANGLES ± 0° 30° MATERIAL: SEE TABLE FINISH: SEE TABLE | | BIN: L. McEACHIN 07-JAN-2000 CHK: K. COBLE 07-JUN-2000 APVD: K. COBLE 07-JUN-2000 NAME: SOCKET HEADER ASSEMBLY, POLARIZED, 4 CIRCUIT UNIVERSAL MATE-N-LOK SIZE: A1 CAGE CODE: 00779 DRAWING NO: 643415 RESTRICTED TO: - CUSTOMER DRAWING |
| METRIC | | SCALE: 5:1 SHEET 1 OF 1 REV G1 |