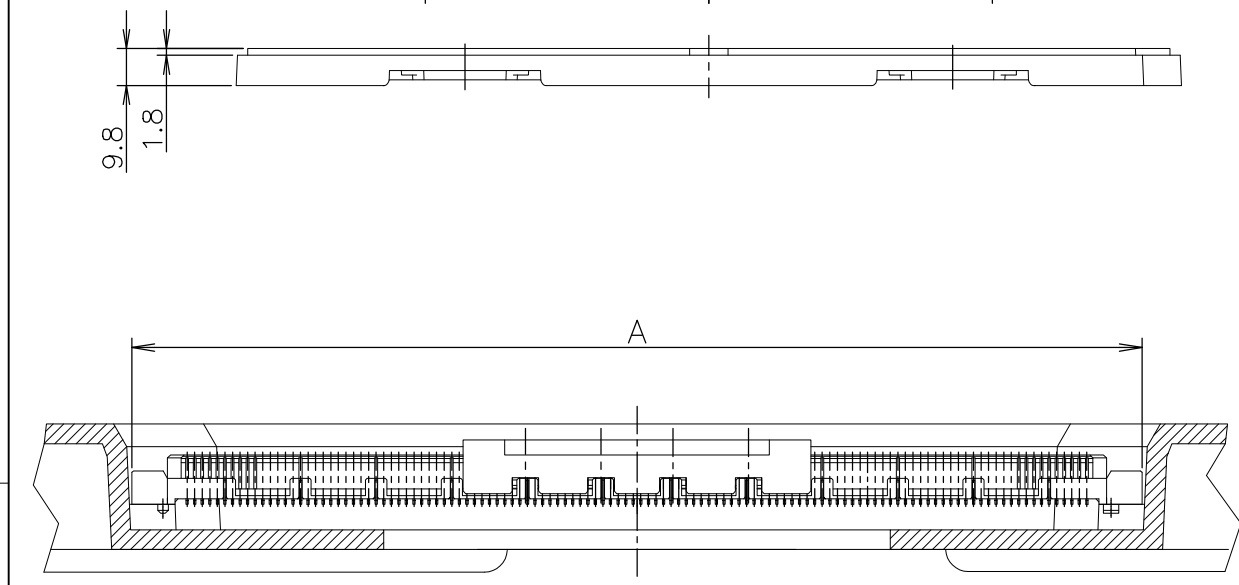
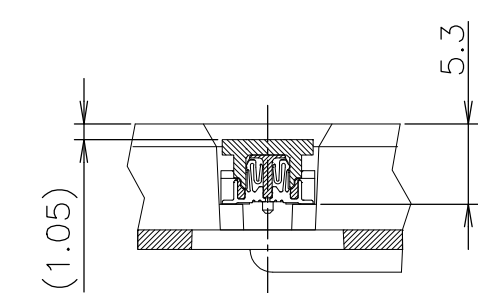
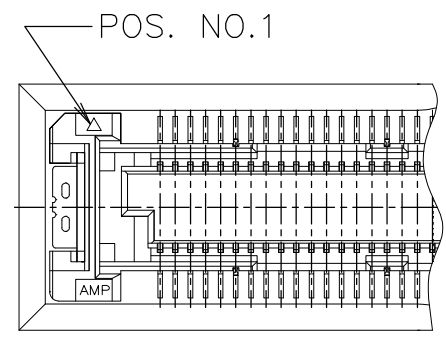
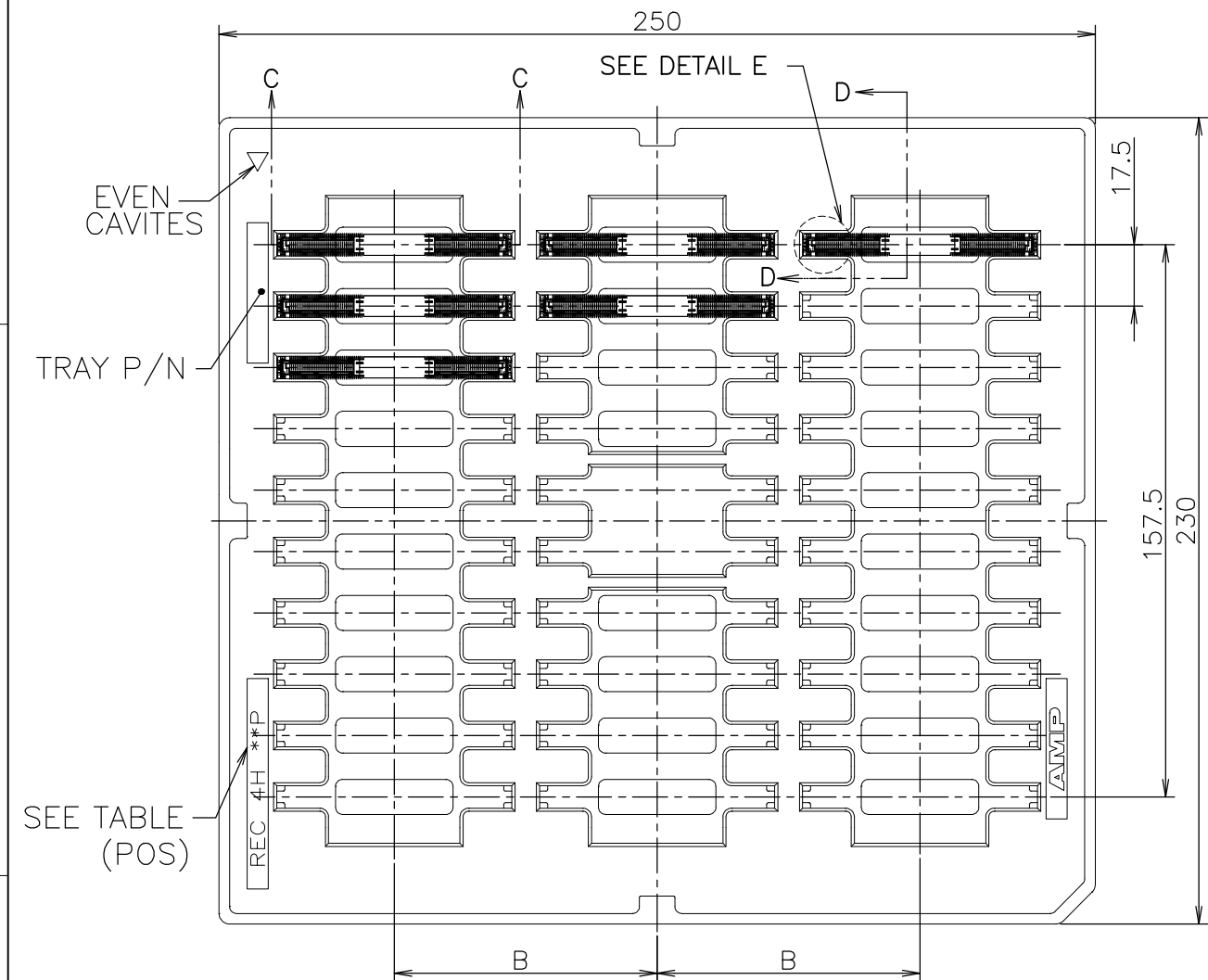


THIS DRAWING IS UNPUBLISHED. RELEASED FOR PUBLICATION . MAR 1999
 © COPYRIGHT 1999 By - ALL RIGHTS RESERVED.

REVISIONS					
P	LTR	DESCRIPTION	DATE	DWN	APVD
	B1	RELEASED PER ECO-19-008929	05JUN2019	R.L	H.L



		HSG COLOR					
		BLACK	NATURAL				
BLACK	Y	3	30	↑	61.8	220	
	N	↑	↑	↑	66.8	240	9-5353606-6
	Y				61.8	220	6-5353606-6
	N			75	56.8	200	
				70	51.8	180	
				↑	49.3	170	
				↑	46.8	160	
				↑	44.3	150	
				↑	41.8	140	
			3	30	70	36.8	120
NATURAL		5	50	43	31.8	100	
		↑	↑	↑	29.3	90	
					26.8	80	
					24.3	70	
					21.8	60	
					19.3	50	
					16.8	40	
	N	5	50	43	14.3	30	3-5353606-7
	Y	3	30	↑	66.8	240	1-5353606-6
	Y	↑	↑	↑	61.8	220	
N			75	56.8	200		
			70	51.8	180		
			↑	49.3	170		
			↑	46.8	160		
			↑	44.3	150		
			↑	41.8	140		
		3	30	70	36.8	120	
		5	50	43	31.8	100	
		↑	↑	↑	29.3	90	
					26.8	80	
					24.3	70	
					21.8	60	
					19.3	50	
					16.8	40	
N	5	50	43	14.3	30		

THIS DRAWING IS A CONTROLLED DOCUMENT.

DWN D.LIU	120CT05	 TE Connectivity	NAME		
CHK T.FUTATSUGI	120CT05		HARD TRAY ASSY		
APVD W.KODAMA	120CT05		FH 0.5BTB CONNECTOR		
PRODUCT SPEC 108-5560			REC 4H WITH G-CONT. AND CAP		
APPLICATION SPEC		SIZE	CAGE CODE	DRAWING NO	RESTRICTED TO
WEIGHT		A3	00779	C-5353606	
CUSTOMER DRAWING		SCALE	SHEET	REV	
		1:2	1 OF 5	B1	

DIMENSIONS: MM	TOLERANCES UNLESS OTHERWISE SPECIFIED:
	0 PLC ± 0.3
	1 PLC ± 0.3
	2 PLC ± 0.3
	3 PLC ± 0.3
	4 PLC ± 0.3
	ANGLES ± 3°
MATERIAL	FINISH

4

3

2

1

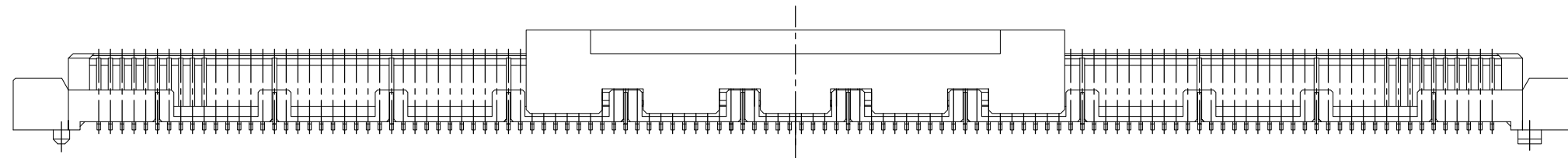
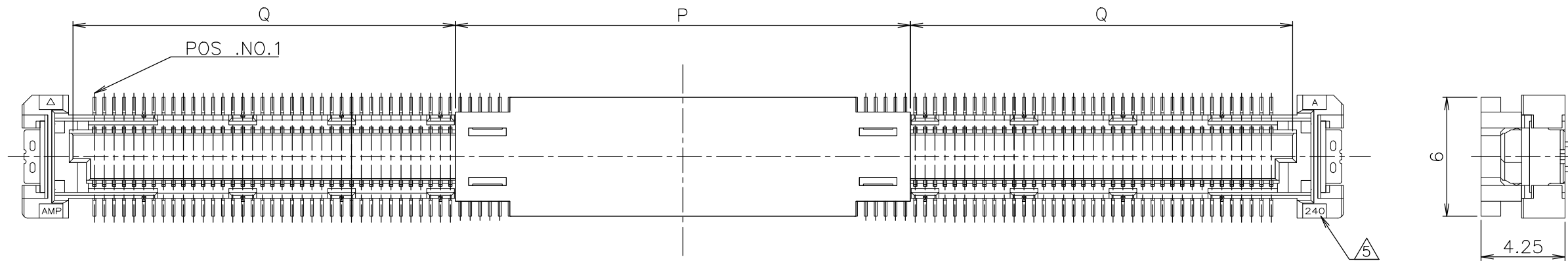
THIS DRAWING IS UNPUBLISHED.

RELEASED FOR PUBLICATION , MAR 1999

REVISIONS

© COPYRIGHT 1999 By - ALL RIGHTS RESERVED.

P	LTR	DESCRIPTION	DATE	DWN	APVD
-	-	SEE SHEET 1	-	-	-

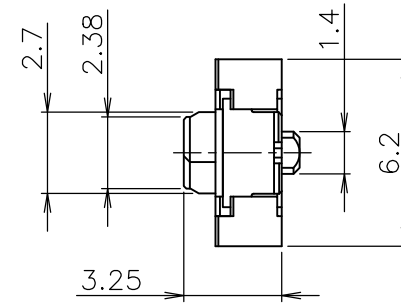
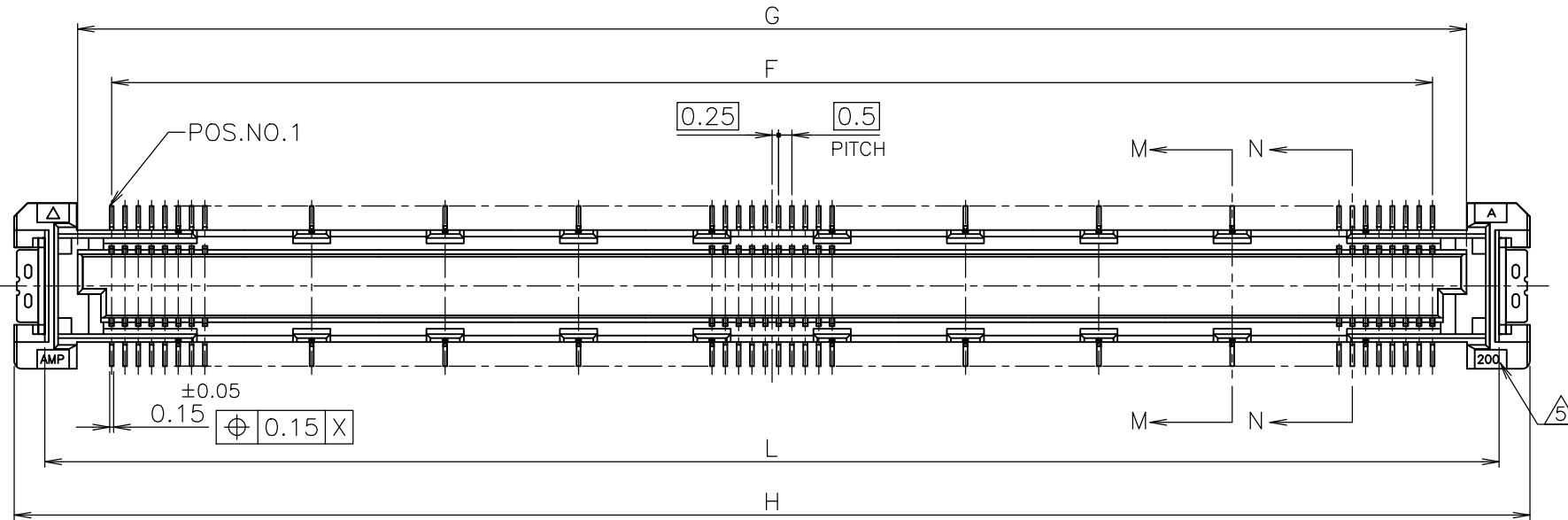


19.55	23	240
17.05	↑	220
14.55		200
12.05		180
10.8		170
9.55		160
8.3		150
7.05		140
4.55		120
2.05	↓	100
0.8	23	90
4.4	13.3	80
4.4	10.8	70
1.9	13.3	60
1.9	10.8	50
1.75	13.3	40
1.75	10.8	30
Q	P	POS.

THIS DRAWING IS A CONTROLLED DOCUMENT.		DWN	STE TE Connectivity		
DIMENSIONS: MM		CHK			
TOLERANCES UNLESS OTHERWISE SPECIFIED:		APVD	NAME		
0 PLC ± -		PRODUCT SPEC	HARD TRAY ASSY		
1 PLC ± -		APPLICATION SPEC	FH 0.5BTB CONNECTOR		
2 PLC ± -		WEIGHT	SIZE	CAGE CODE	DRAWING NO
3 PLC ± -		CUSTOMER DRAWING	A3	00779	C-5353606
4 PLC ± -			SCALE	SHEET	REV
ANGLES ± -			4:1	2 of 5	B1
FINISH					

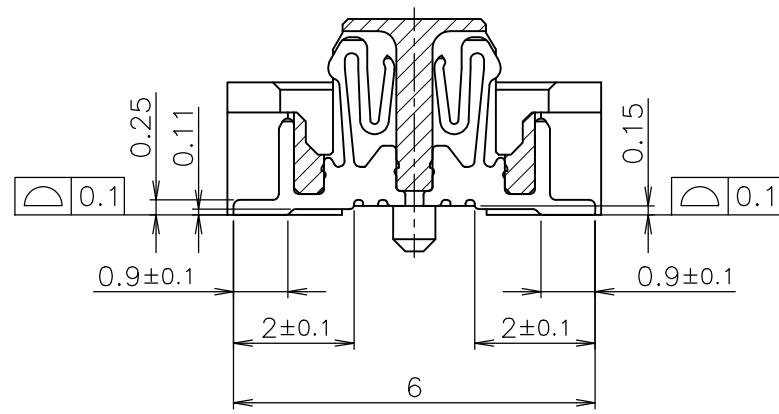
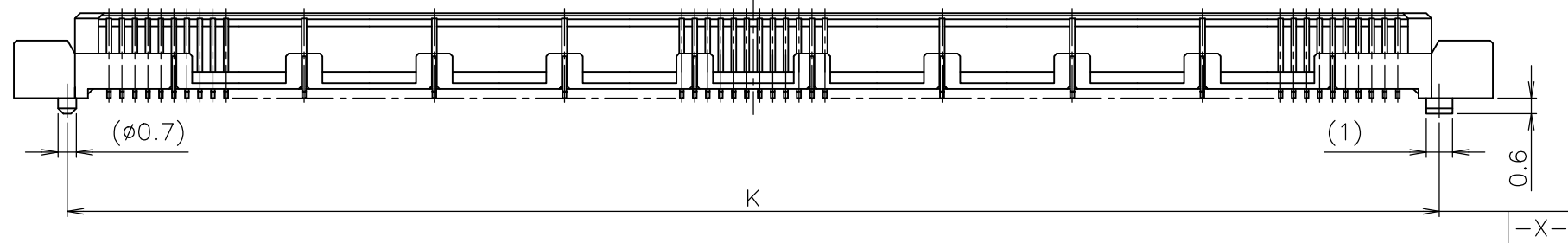
REVISIONS

P	LTR	DESCRIPTION	DATE	DWN	APVD
-	-	SEE SHEET 1	-	-	-

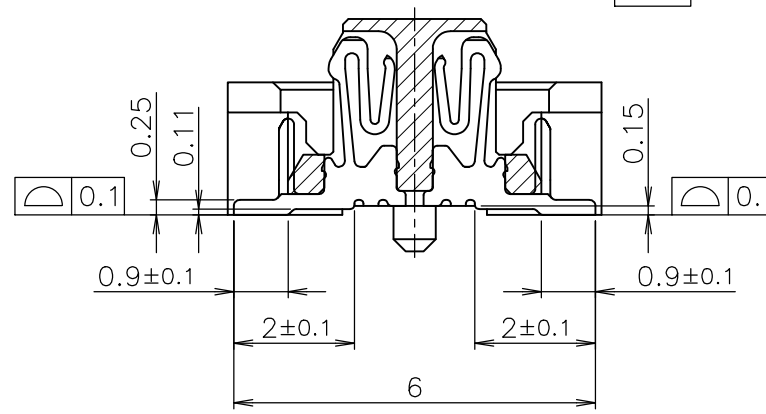


NOTES

- ① MATERIAL ; HOUSING : HIGH TEMP THERMO PLASTIC UL94V-0
CONTACT : COPPER ALLOY
- ② FINISH ; MEETS THE PERFORMANCE REQUIREMENTS
OF PRODUCT SPECIFICATION 108-5560
SOLDER PEG : TIN OVER Ni
- ③ THIS POSITION IS GROUND CIRCUIT.
- ④ THIS PRODUCT WAS COATED BY ANTI-FLUX-PENETRATION
AGENT.
- ⑤ NO. OF CIRCUIT (DEPEND ON CONNECTOR POS).



SECT. M-M
(GRAND POSITION)
(SCALE 8:1)

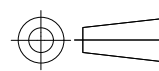


SECT. N-N
(SIGNAL POSITION)
(SCALE 8:1)

64.5	62.7	66.8	62.1	59.5	240
59.5	57.7	61.8	57.1	54.5	220
54.5	52.7	56.8	52.1	49.5	200
49.5	47.7	51.8	47.1	44.5	180
47	45.2	49.3	44.6	42	170
44.5	42.7	46.8	42.1	39.5	160
42	40.2	44.3	39.6	37	150
39.5	37.7	41.8	37.1	34.5	140
34.5	32.7	36.8	32.1	29.5	120
29.5	27.7	31.8	27.1	24.5	100
27	25.2	29.3	24.6	22	90
24.5	22.7	26.8	22.1	19.5	80
22	20.2	24.3	19.6	17	70
19.5	17.7	21.8	17.1	14.5	60
17	15.2	19.3	14.6	12	50
14.5	12.7	16.8	12.1	9.5	40
12	10.2	14.3	9.6	7	30
L	K	H	G	F	POS.

THIS DRAWING IS A CONTROLLED DOCUMENT.

DIMENSIONS:
MM



MATERIAL

TOLERANCES UNLESS
OTHERWISE SPECIFIED:

0 PLC	± -
1 PLC	± -
2 PLC	± -
3 PLC	± -
4 PLC	± -
ANGLES	± -
FINISH	± -

DWN

CHK

APVD

PRODUCT SPEC

APPLICATION SPEC

WEIGHT

CUSTOMER DRAWING



TE Connectivity

NAME

HARD TRAY ASSY
FH 0.5BTB CONNECTOR
REC 4H WITH G-CONT. AND CAP

SIZE

CAGE CODE

DRAWING NO

RESTRICTED TO

A300779

C-5353606

SCALE 4:1

SHEET 3 OF 5

REV B1

THIS DRAWING IS UNPUBLISHED.

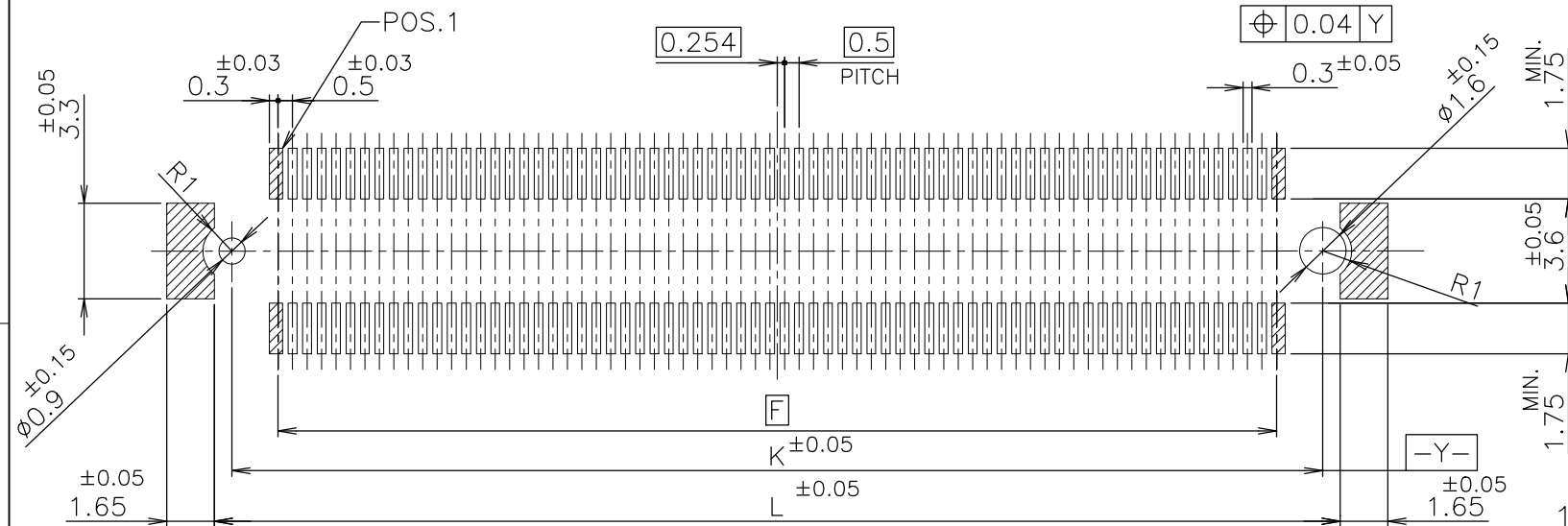
RELEASED FOR PUBLICATION MAR 1999

© COPYRIGHT 1999 By -

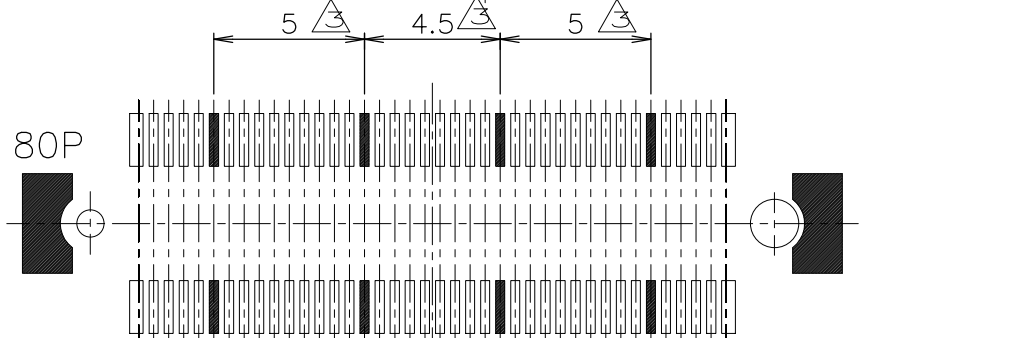
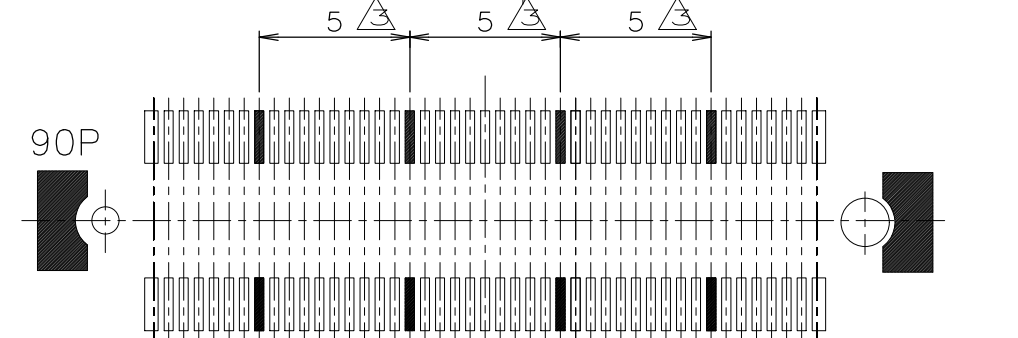
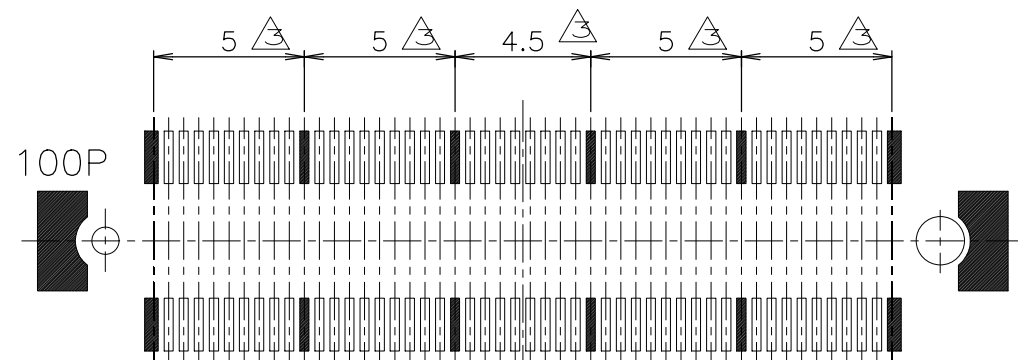
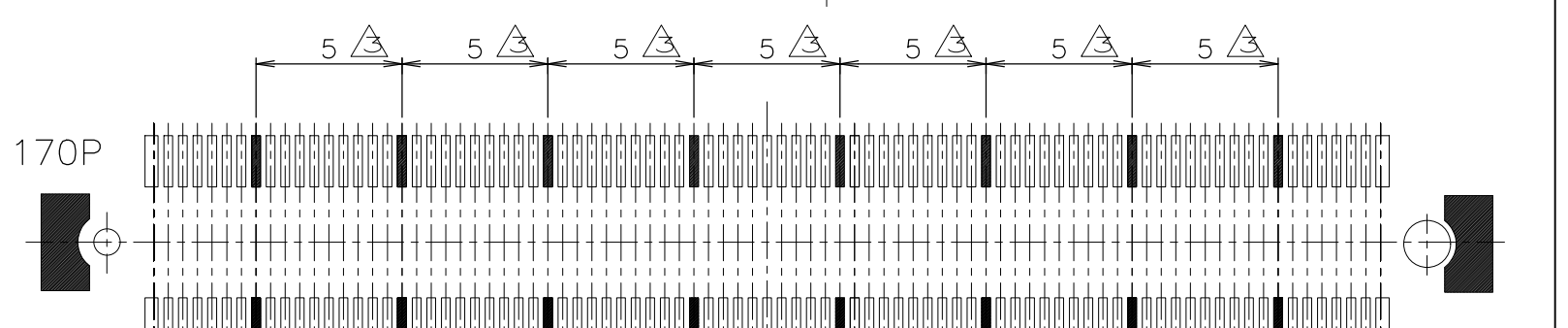
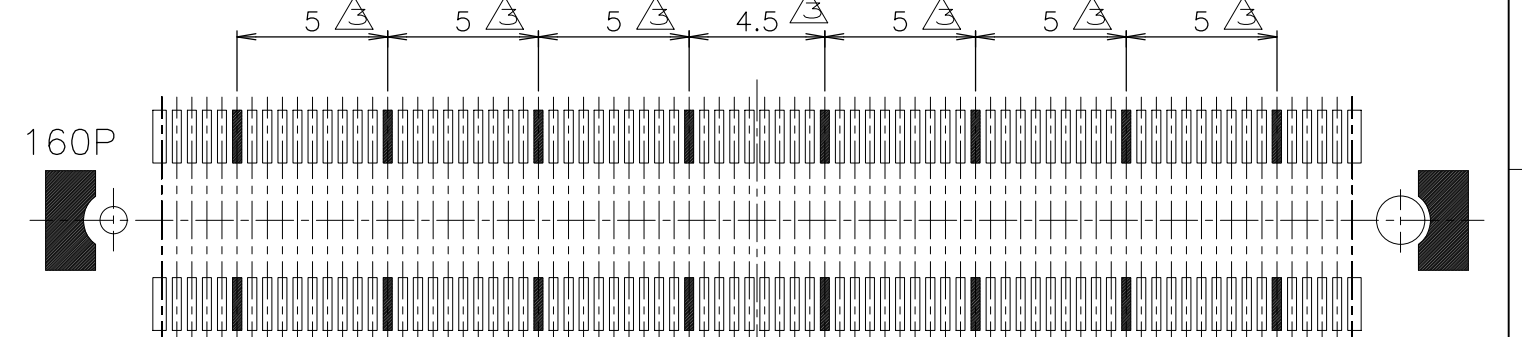
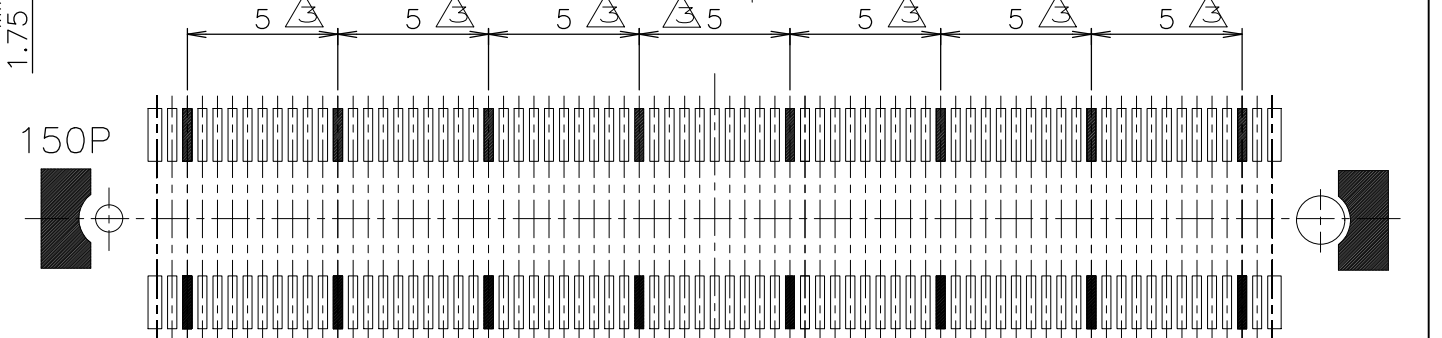
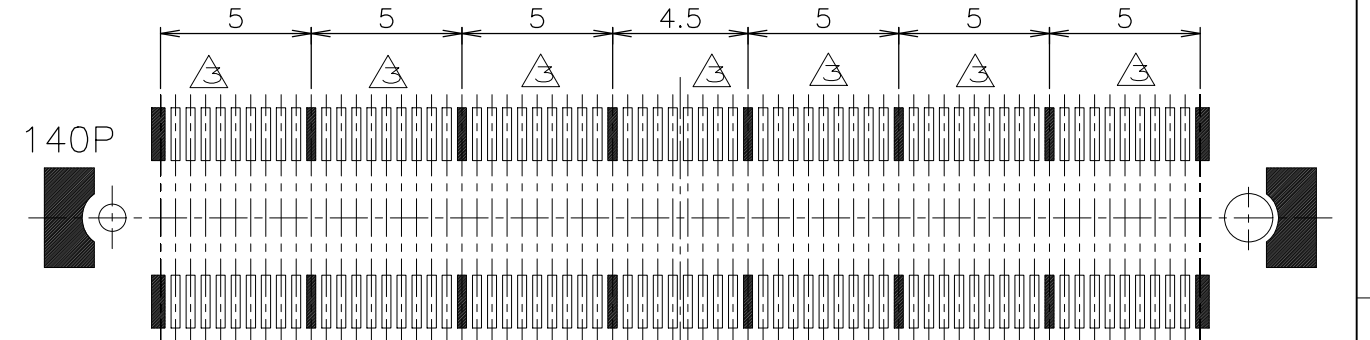
ALL RIGHTS RESERVED.

REVISIONS

P	LTR	DESCRIPTION	DATE	DWN	APVD
-	-	SEE SHEET 1	-	-	-



RECOMMENDED P.C.BOARD LAYOUT



THIS DRAWING IS A CONTROLLED DOCUMENT.		DWN		STE TE Connectivity	
DIMENSIONS: MM		CHK			
		TOLERANCES UNLESS OTHERWISE SPECIFIED:		NAME	
		0 PLC ± -		HARD TRAY ASSY	
		1 PLC ± -		FH 0.5BTB CONNECTOR	
		2 PLC ± -		REC 4H WITH G-CONT. AND CAP	
3 PLC ± -		APVD		SIZE	
4 PLC ± -		PRODUCT SPEC		CAGE CODE	
ANGLES ± -		APPLICATION SPEC		DRAWING NO	
MATERIAL		FINISH		RESTRICTED TO	
		WEIGHT		A300779 C-5353606	
		CUSTOMER DRAWING		SCALE 4:1	
				SHEET 4 of 5	
				REV B1	

4

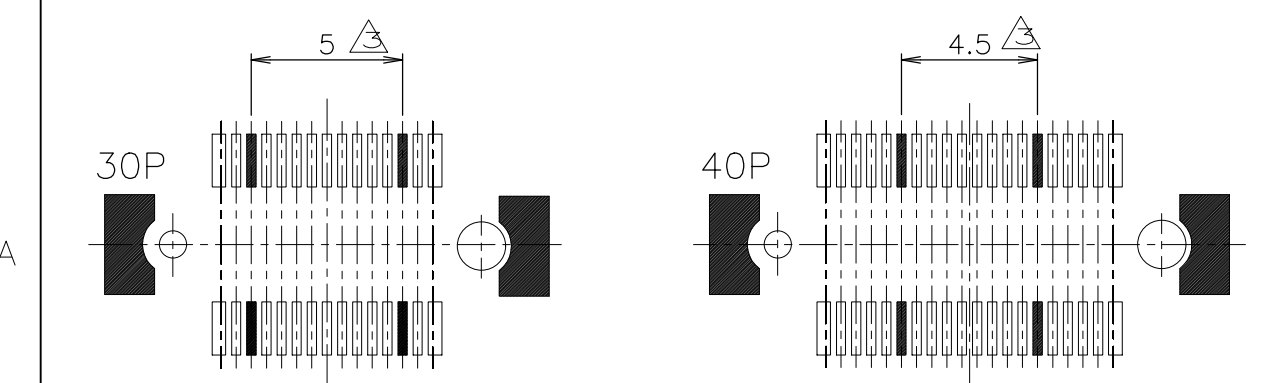
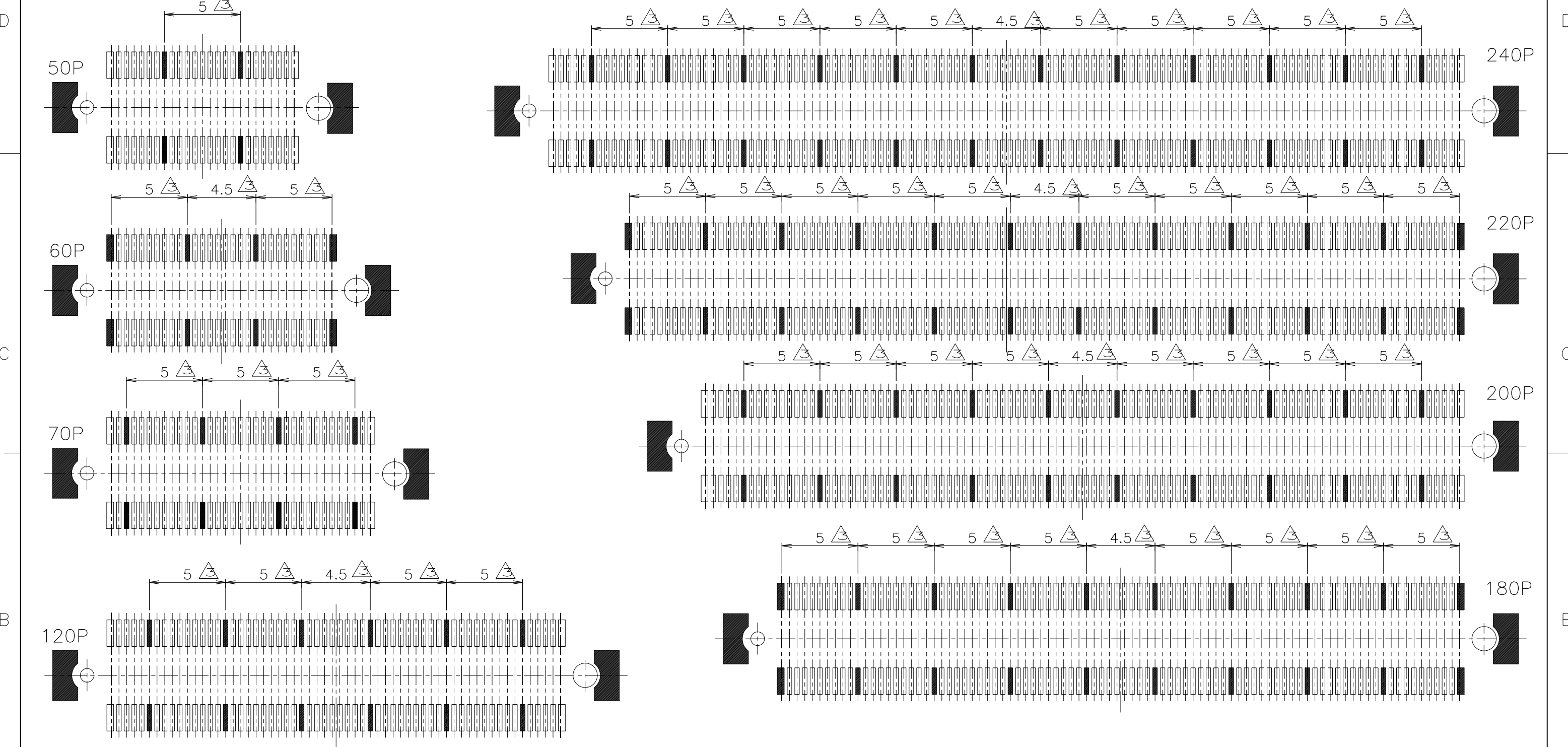
3

2

1

THIS DRAWING IS UNPUBLISHED. RELEASED FOR PUBLICATION . MAR 1999
 © COPYRIGHT 1999 By - ALL RIGHTS RESERVED.

REVISIONS					
P	LTR	DESCRIPTION	DATE	DWN	APVD
-	-	SEE SHEET 1	-	-	-



THIS DRAWING IS A CONTROLLED DOCUMENT.		DWN		TE Connectivity NAME HARD TRAY ASSY FH 0.5BTB CONNECTOR REC 4H WITH G-CONT. AND CAP	
DIMENSIONS: MM		CHK			
TOLERANCES UNLESS OTHERWISE SPECIFIED:		APVD			
0 PLC ± - 1 PLC ± - 2 PLC ± - 3 PLC ± - 4 PLC ± - ANGLES ± - FINISH ± -		PRODUCT SPEC			
MATERIAL		APVD		APPLICATION SPEC	
		WEIGHT		SIZE	CAGE CODE
		CUSTOMER DRAWING		A3	00779
		SCALE 4:1		DRAWING NO	RESTRICTED TO
		SHEET 5 OF 5		C-5353606	
		REV B1			