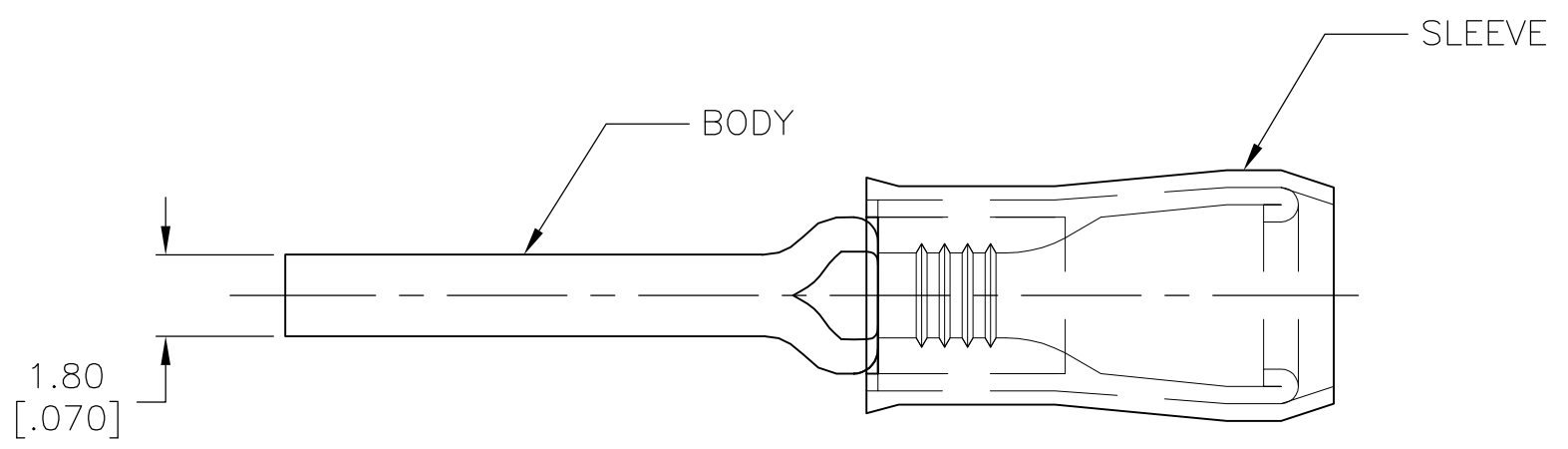


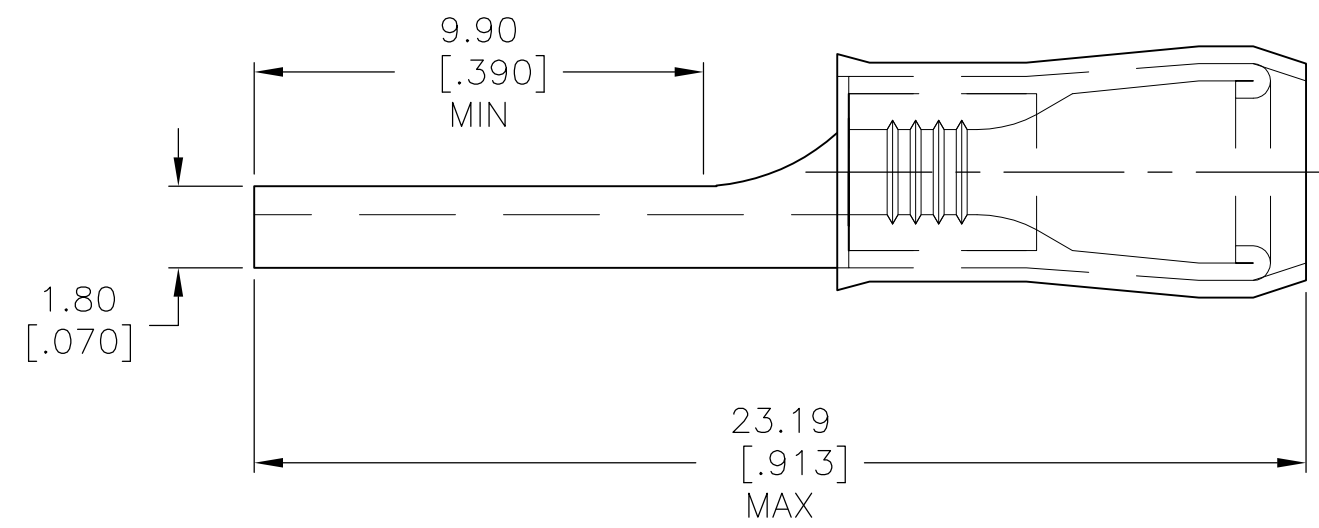
THIS DRAWING IS UNPUBLISHED. RELEASED FOR PUBLICATION
 © COPYRIGHT - By - ALL RIGHTS RESERVED.

LOC	DIST	REVISIONS					
		P	LTR	DESCRIPTION	DATE	DWN	APVD
G	14		D2	REVISED PER ECO-15-002180	17FEB2015	NK	DR



AMP WIRE RANGE	AW FILE E13288
22-16 AWG STRANDED	22-16 AWG STRANDED

- 1 WIRE INSULATION DIA.
2.67-3.56 [.105-.140] DIA.
- △ 2 MATERIAL: BODY - CU PER ASTM B152
SLEEVE - NYLON.
- △ 3 FINISH: BODY - TIN PL ASTM B545
SLEEVE - COLOR - RED.
- 4 LOOSE PIECE P/N 165168.



5000	ON TAPE	696273-2
QTY	PACKAGE TYPE	PART NO

AMP INCORPORATED CUSTOMER SERVICE SYSTEMS	
FOR ADDITIONAL PRODUCT INFORMATION OR COPIES OF DRAWINGS AND TECHNICAL DOCUMENTS	PRODUCT INFORMATION CENTER 1-800-522-6752
FOR APPLICATION TOOLING INFORMATION	TOOLING ASSISTANCE CENTER 1-800-722-1111
FOR ORDER ENTRY	1-800-526-5142

MAX RECOMMENDED OPERATING TEMPERATURE: 105°C [221°F]
VOLTAGE RATING: 300V MAX
CIRCULAR MIL AREA: 0.25-1.6mm ² [493-3158] STRANDED

THIS DRAWING IS A CONTROLLED DOCUMENT.	
DIMENSIONS: mm [INCHES]	TOLERANCES UNLESS OTHERWISE SPECIFIED:
	0 PLC ± -
	1 PLC ± -
	2 PLC ± 0.20 [.008]
	3 PLC ± -
	4 PLC ± -
	ANGLES ± -
MATERIAL	FINISH
△ 2	△ 3

DWN JR RUTH	01DEC00
CHK T MICHELUTTI	01DEC00
APVD T MICHELUTTI	01DEC00
PRODUCT SPEC	
APPLICATION SPEC	
WEIGHT	-

STE TE Connectivity			
NAME TERMINAL, WIRE PIN, PIDG WIRE SIZE, 22-16 AWG			
SIZE	CAGE CODE	DRAWING NO	RESTRICTED TO
A3	00779	C-696273	-
CUSTOMER DRAWING		SCALE 6:1	SHEET 1 OF 1 REV D2