

THIS DRAWING IS UNPUBLISHED. RELEASED FOR PUBLICATION. ALL RIGHTS RESERVED. COPYRIGHT - By -

Table with columns: P, LTR, DESCRIPTION, DATE, DWN, APVD. Includes revision history for R1, PART STATUS UPDATED, and dates like 22JAN2018.

MATERIAL: HOUSING: THERMOPLASTIC, UL94V-2, BLACK. TERMINAL: BRASS, BRIGHT TIN PLATED. SCREWS: 6-32, STEEL, ZINC PLATED W/ CLEAR CHROMATE, UNLESS OTHERWISE SPECIFIED. ELECTRICAL: MAXIMUM CURRENT: 20A. OPERATING VOLTAGE: 600V. WIRE RANGE: 12-22 AWG MAX. ENVIRONMENT: OPERATING TEMP.: -60°C TO +105°C.

- 1 SCREWS ARE NICKEL PLATED BRASS.
2 INK MARKED AS SHOWN.
3 SEE FIGURE.
4 DELETED
5 OBSOLETE PARTS: OBSOLETE CIS STREAMLINING PER D.RENAUD/D.SINISI
6 ALL SCREWS BOTTOMED, TORQUE 2 TO 4 IN-LBS.

Main table with columns: OBSOLETE, DIM B, DIM A, JUMPER, and various QC TAB specifications (e.g., .250 QC TAB 90° BEND SGL SIDED). Includes part numbers like SSB7CF090325 and SSB7CG090304.

Controlled document information block including drawing title 'THIS DRAWING IS A CONTROLLED DOCUMENT.', revision history, dimensions, tolerances, and company logo 'STE TE Connectivity Ltd.'.

THIS DRAWING IS UNPUBLISHED. RELEASED FOR PUBLICATION  
 © COPYRIGHT - By - ALL RIGHTS RESERVED.

REVISIONS				
P	LTR	DESCRIPTION	DATE	APVD
-	-	SEE SHEET 1	-	-

### SELECT LOAD CHART

OBSOLETE	9,10	1-8	1-8	9,10	9,10	-	1-8	-	-	10	SSB7N2030	5-1546963-8
	1-8	9,10	-	-	2,5,6,10	-	1,7	-	-	10	SSB7N2025	4-1546963-3
ALL	ALL	2,3,4	-	-	-	-	-	-	-	7	SSB7N2019	3-1546963-8
ALL	ALL	3,4	-	-	-	-	-	-	-	7	SSB7N2017	3-1546963-2
-	-	ALL	-	-	-	-	2,4	-	-	6	SSB7N2016	3-1546963-1
-	1,3,5,7	-	-	-	1	-	-	-	-	4	SSB7CG04032224	4-1546963-9
	.250 QC TAB 90° BEND SGL SIDED	.250 QC TAB 90° BEND DBL SIDED	.250 QC TAB STRAIGHT DBL SIDED	.250 QC TAB STRAIGHT SGL SIDED	.250 QC TAB 45° BEND SGL SIDED	.187 QC TAB STRAIGHT SGL SIDED	.250 QC TAB 45° BEND DBL SIDED	.187 QC TAB 45° BEND SGL SIDED	.187 QC TAB 90° BEND SGL SIDED	NO. OF POS.	CATALOG NUMBER	PART NUMBER
	⑩	⑨	⑧	⑦	⑥	⑤	④	③	②			
POSITIONS LOADED												

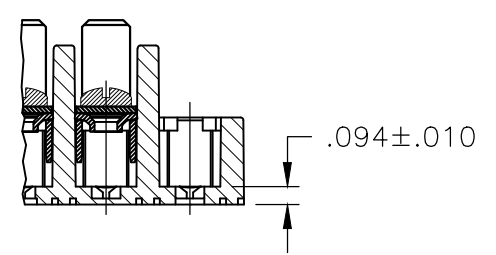
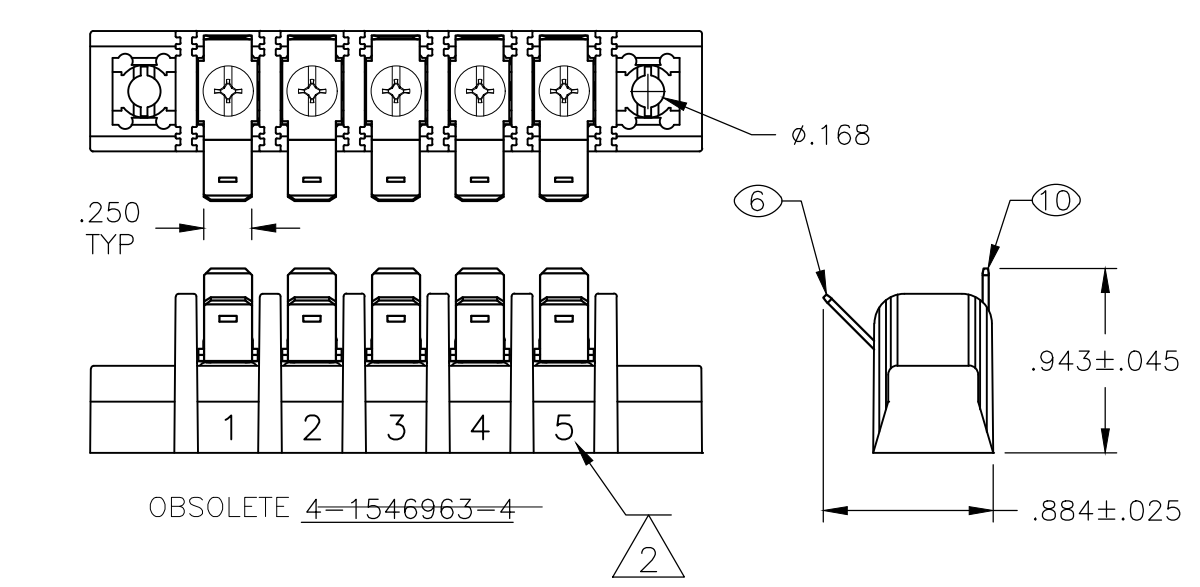
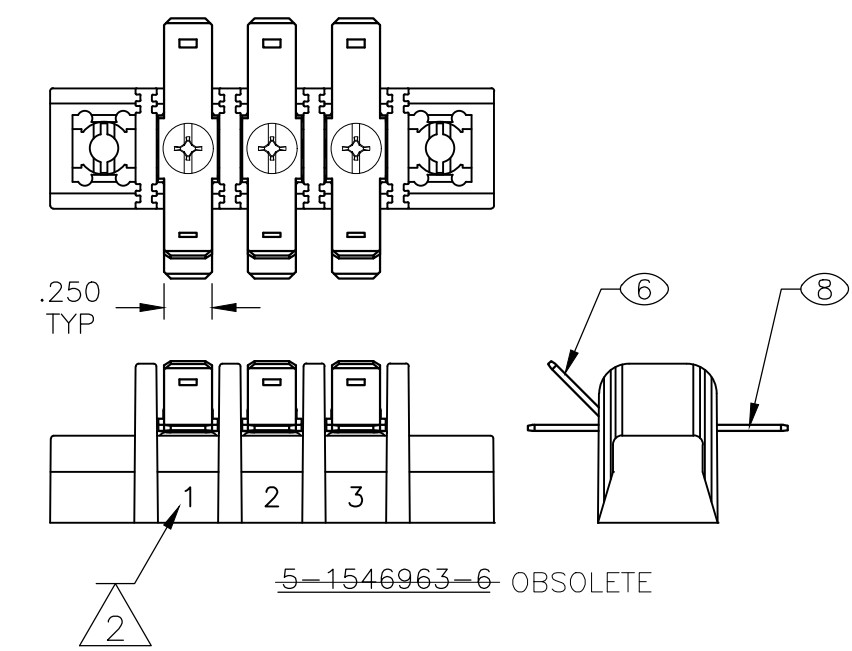
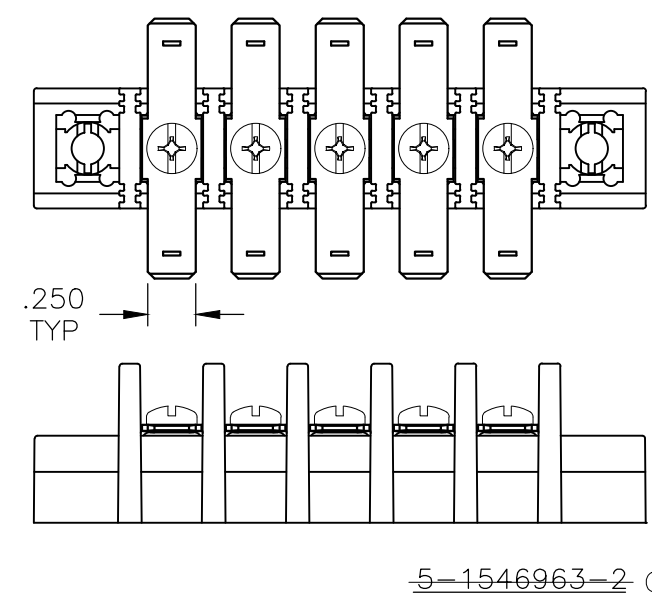
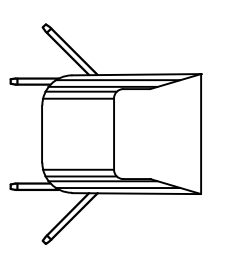
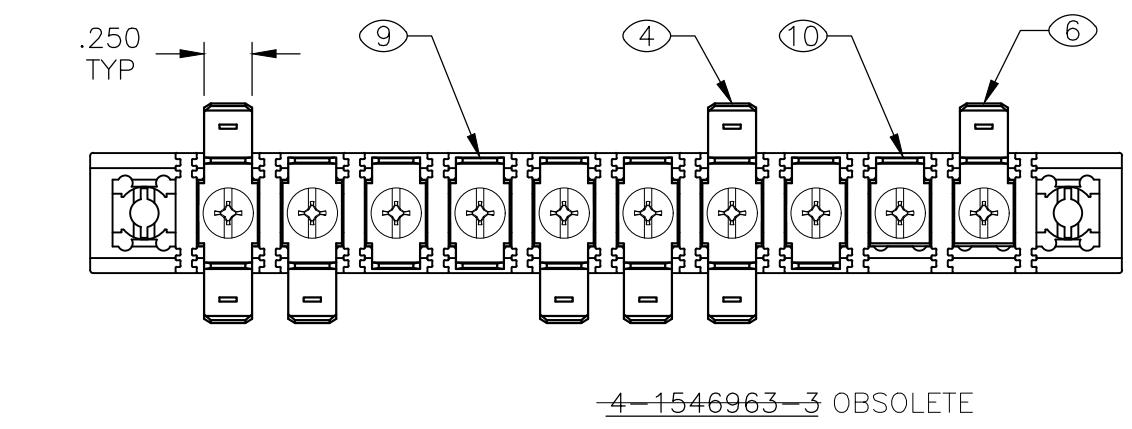
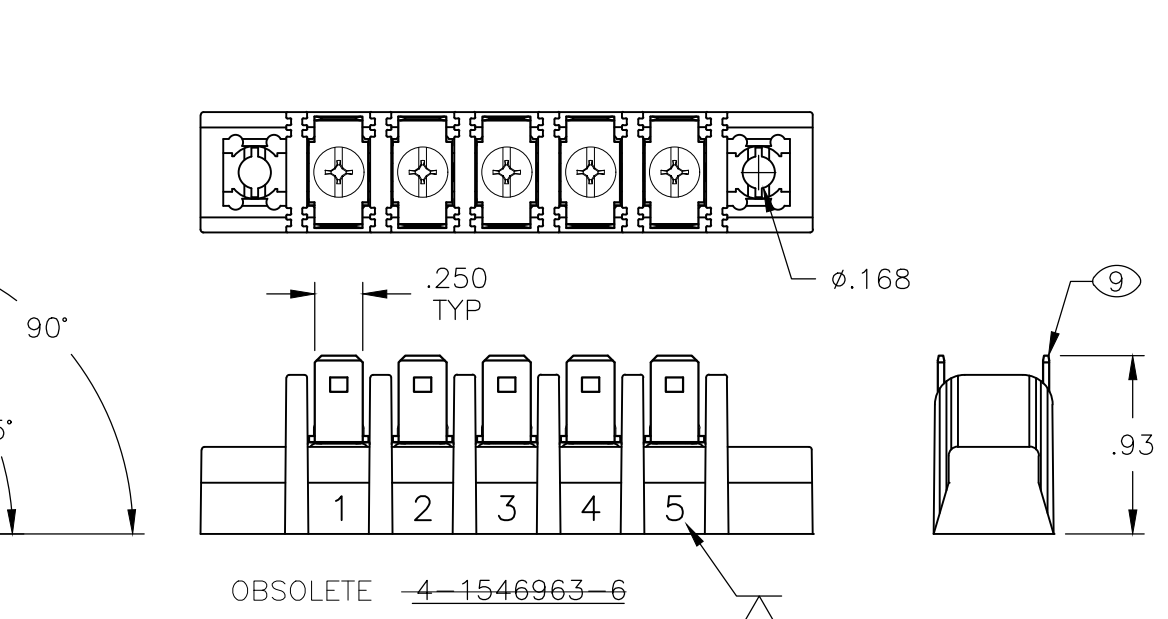
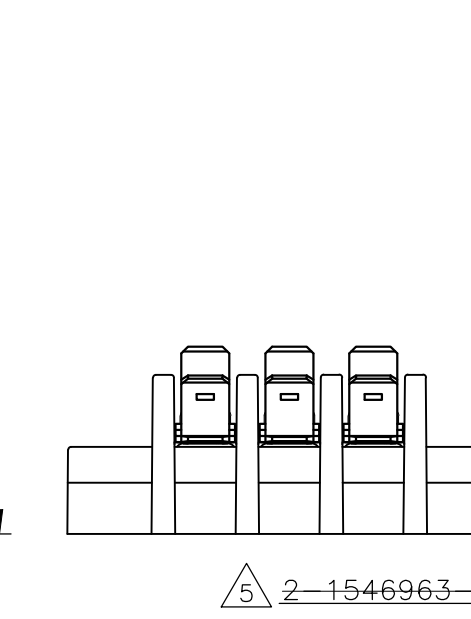
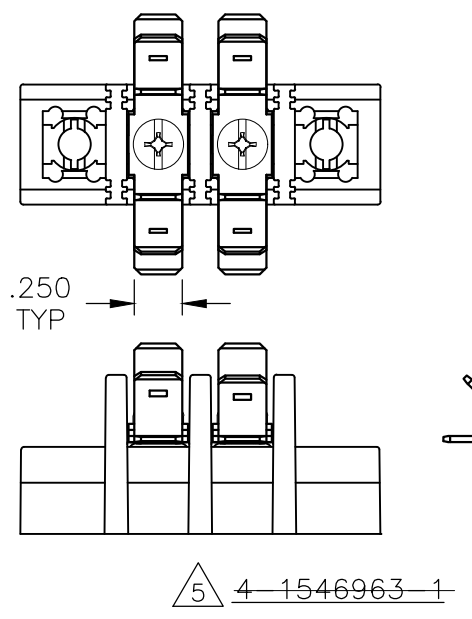
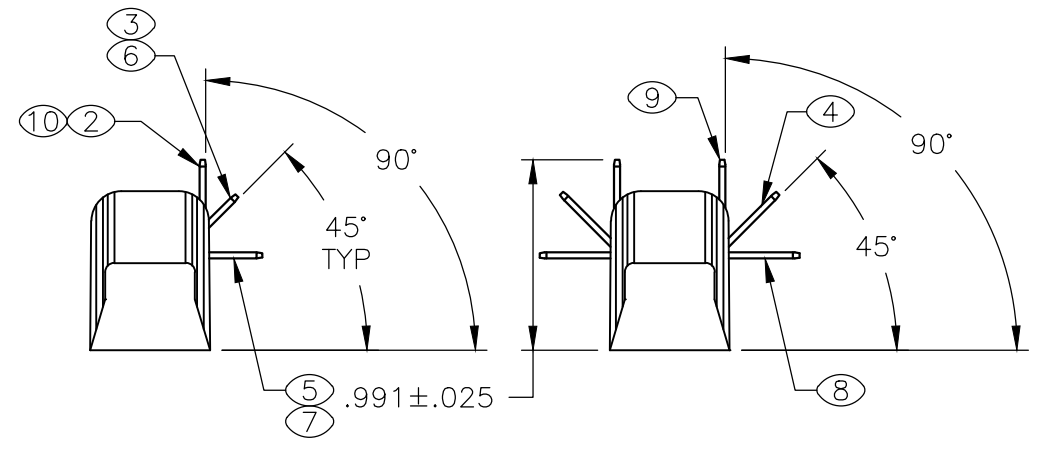
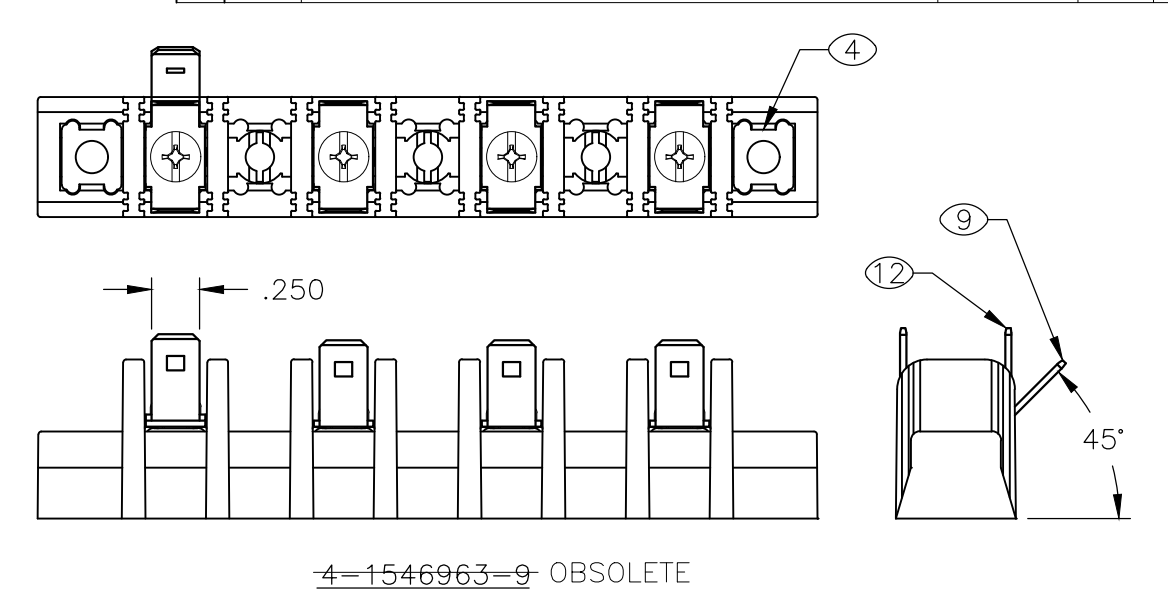
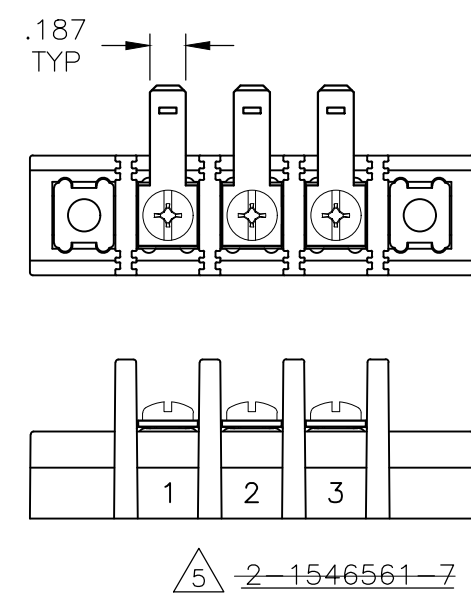
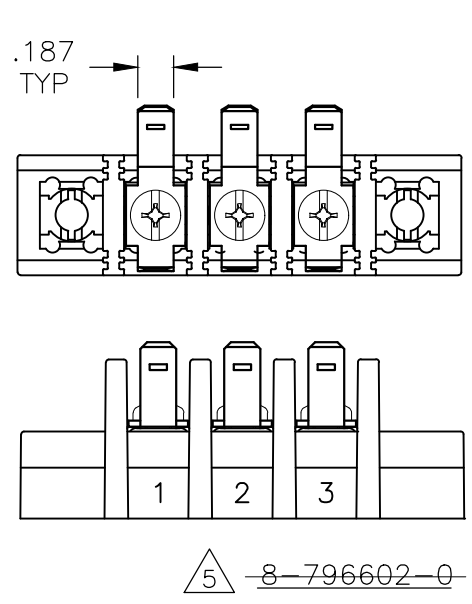
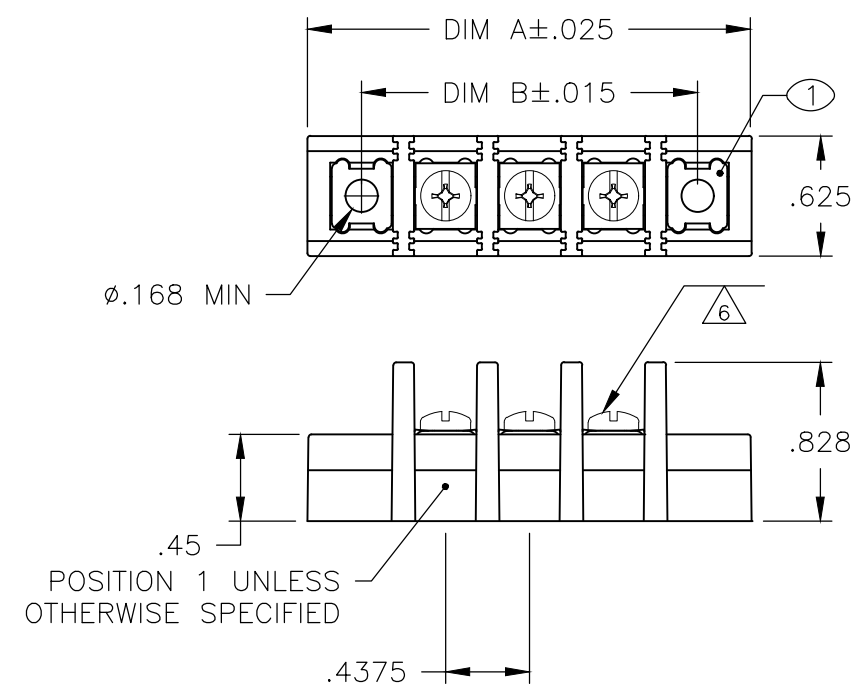
△3	OBSOLETE	-1.750	2.312				2						2		YES	3	SSB7CG030328-SPL	6	1546963	3	
	OBSOLETE	11.375	11.937												YES	25	SSB70G250301	2	1546963	5	
	OBSOLETE	10.937	11.500												YES	24	SSB70G240301	2	1546963	4	
	OBSOLETE	10.500	11.062												YES	23	SSB70G230301	2	1546963	3	
	OBSOLETE	10.062	10.625												YES	22	SSB70G220304	6	1546963	1	
	OBSOLETE	10.062	10.625												YES	22	SSB70G220301	2	1546963	2	
	OBSOLETE	-9.625	10.187												YES	21	SSB70G210301	2	1546963	1	
	OBSOLETE	-9.187	9.750												YES	20	SSB70G200301	2	1546963	0	
	OBSOLETE	-8.750	9.312												YES	19	SSB7CG190301	1	1546963	9	
	OBSOLETE	-8.313	8.875												YES	18	SSB7CG180301	1	1546963	8	
	OBSOLETE	-7.875	8.437												YES	17	SSB7CG170301	1	1546963	7	
	OBSOLETE	-7.437	8.000												YES	16	SSB7CG160301	1	1546963	6	
	OBSOLETE	-7.000	7.562												YES	15	SSB7CG150301	1	1546963	5	
△1	△3	OBSOLETE	-6.562	7.125			14						14		YES	14	SSB7N2020	3	1546963	4	
		OBSOLETE	-6.562	7.125											YES	14	SSB7CG140301	7	1437415	6	
		OBSOLETE	-6.125	6.687											YES	13	SSB7CG130301	1	1546963	3	
		OBSOLETE	-5.687	6.250											YES	12	SSB7CG120301	1	1546963	2	
△3		OBSOLETE	-5.250	5.812				11	11						YES	11	SSB7CG110329	1	1546963	6	
		OBSOLETE	-5.250	5.812											YES	11	SSB7CG110301	1	1546963	1	
△3		OBSOLETE	-4.812	5.375		2	8	8	2	2			8		YES	10	SSB7N2030	5	1546963	8	
△3		OBSOLETE	-4.812	5.375		2	8			4			2		NO	10	SSB7N2025	4	1546963	3	
		OBSOLETE	-4.812	5.375											YES	10	SSB7CG100301	1	1546963	0	
		DIM B	DIM A	JUMPER	.250 QC TAB 90° BEND DBL SIDED	.250 QC TAB 90° BEND SGL SIDED	.250 QC TAB 90° BEND DBL SIDED	.250 QC TAB STRAIGHT DBL SIDED	.250 QC TAB STRAIGHT SGL SIDED	.250 QC TAB 45° BEND SGL SIDED	.187 QC TAB STRAIGHT SGL SIDED	.250 QC TAB 45° BEND DBL SIDED	.187 QC TAB 45° BEND SGL SIDED	.187 QC TAB 90° BEND SGL SIDED	SSB7 BUSHING	NO. OF POS.	CATALOG NUMBER	PART NUMBER			
					⑭	⑩	⑨	⑧	⑦	⑥	⑤	④	③	②	①						

QUANTITIES

THIS DRAWING IS A CONTROLLED DOCUMENT.		DWN	S SCHLGE	3/5/04	<b>STE</b> TE Connectivity Ltd.
DIMENSIONS: INCHES		CHK	S YODER	3/5/04	
TOLERANCES UNLESS OTHERWISE SPECIFIED:		APVD	S YODER	3/5/04	
0 PLC ± - 1 PLC ± - 2 PLC ± .02 3 PLC ± .010 4 PLC ± - ANGLES ± 3°		PRODUCT SPEC	NAME		
MATERIAL	FINISH	WEIGHT	-		SSB7CGXX0301
CUSTOMER DRAWING		SCALE	A2 00779		RESTRICTED TO
		SHEET	2 of 4		REV R1

THIS DRAWING IS UNPUBLISHED. RELEASED FOR PUBLICATION  
 © COPYRIGHT - By - ALL RIGHTS RESERVED.

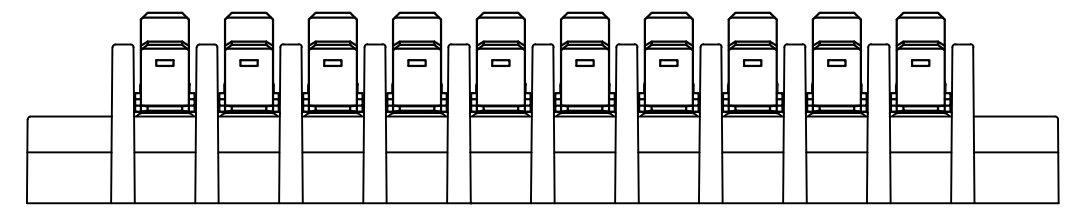
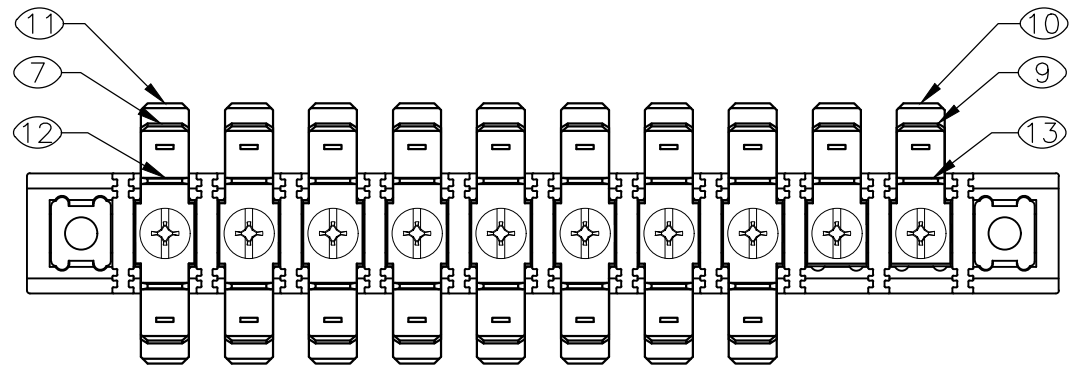
REVISIONS				
P	LTR	DESCRIPTION	DATE	APVD
-	-	SEE SHEET 1	-	-



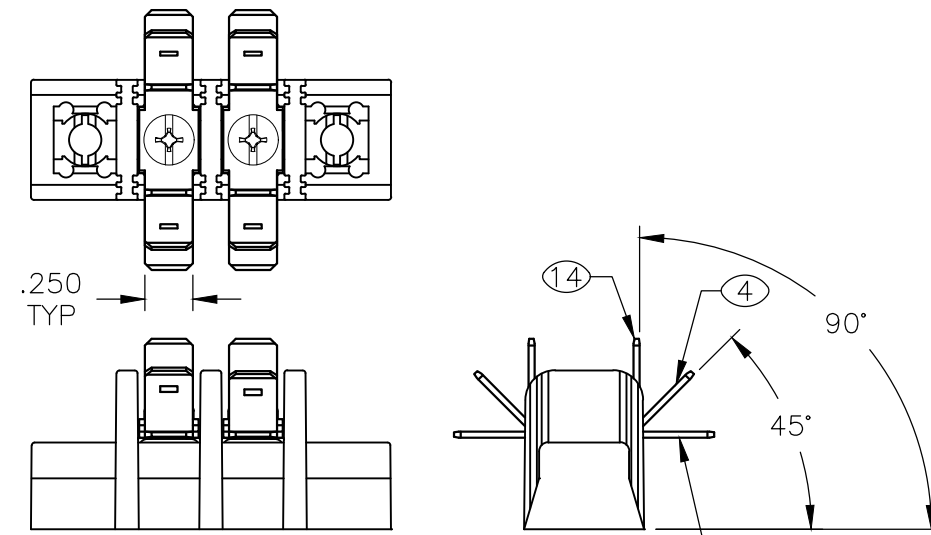
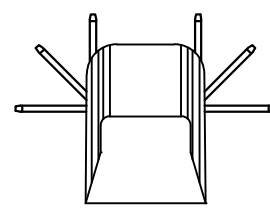
THIS DRAWING IS A CONTROLLED DOCUMENT.		DWN S SCHLGE	3/5/04	TE Connectivity Ltd.	
DIMENSIONS: INCHES		CHK S YODER	3/5/04		
TOLERANCES UNLESS OTHERWISE SPECIFIED:		APVD S YODER	3/5/04	NAME SSB7CGXX0301	
0 PLC ± - 1 PLC ± - 2 PLC ± .02 3 PLC ± .010 4 PLC ± - ANGLES ± 3°		PRODUCT SPEC		SIZE A2	
MATERIAL		FINISH		CAGE CODE 00779	DRAWING NO C-8-796602-0
		WEIGHT		RESTRICTED TO	
		CUSTOMER DRAWING		SCALE NTS	SHEET 3 OF 4
				REV R1	

THIS DRAWING IS UNPUBLISHED. RELEASED FOR PUBLICATION  
 © COPYRIGHT - By - ALL RIGHTS RESERVED.

REVISIONS				
P	LTR	DESCRIPTION	DATE	APVD
-	-	SEE SHEET 1	-	-



~~5-1546963-8~~ OBSOLETE



~~6-1546963-3~~ OBSOLETE

THIS DRAWING IS A CONTROLLED DOCUMENT.		DWN S SCHLDEL 3/5/04	<b>STE</b> TE Connectivity Ltd.	
DIMENSIONS: INCHES		CHK S YODER 3/5/04		
TOLERANCES UNLESS OTHERWISE SPECIFIED:		APVD S YODER 3/5/04	NAME SSB7CGXX0301	
0 PLC ± -		PRODUCT SPEC	SIZE CAGE CODE DRAWING NO RESTRICTED TO	
1 PLC ± -		APPLICATION SPEC	A2 00779 C-8-796602-0 -	
2 PLC ± .02		WEIGHT	SCALE SHEET REV	
3 PLC ± .010		CUSTOMER DRAWING	NTS 4 OF 4 R1	
4 PLC ± -				
ANGLES ± 3'				
MATERIAL				
FINISH				