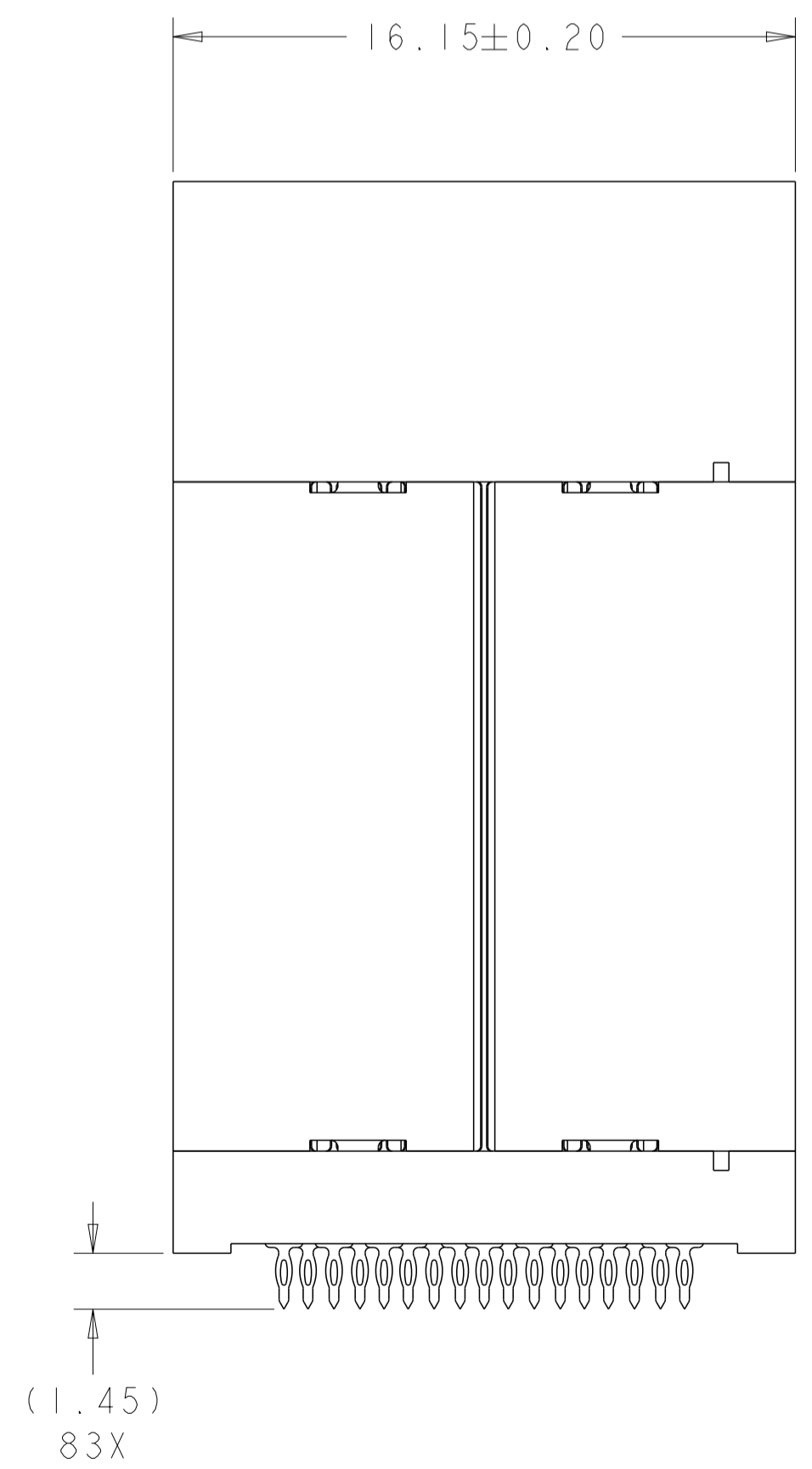
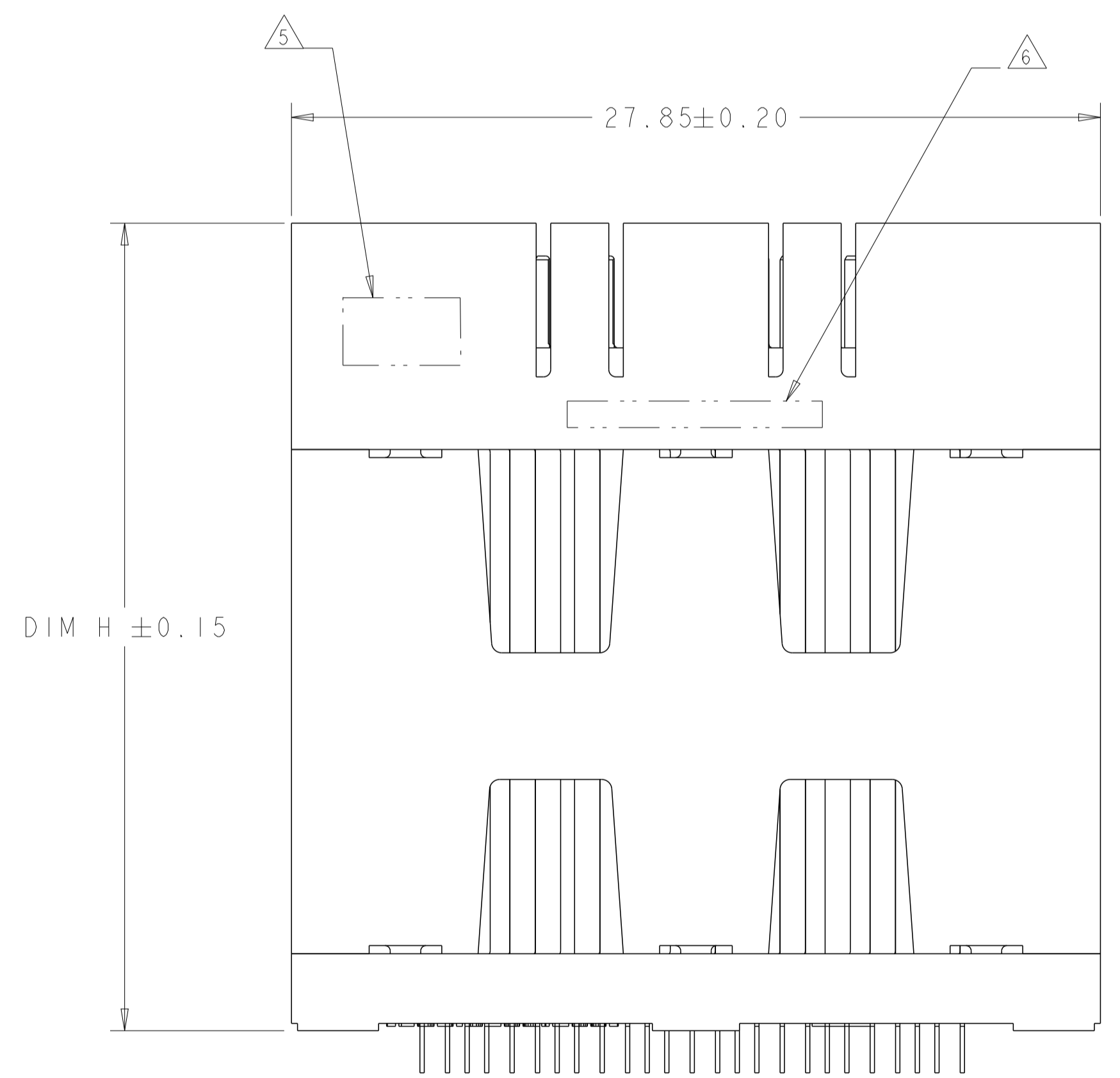
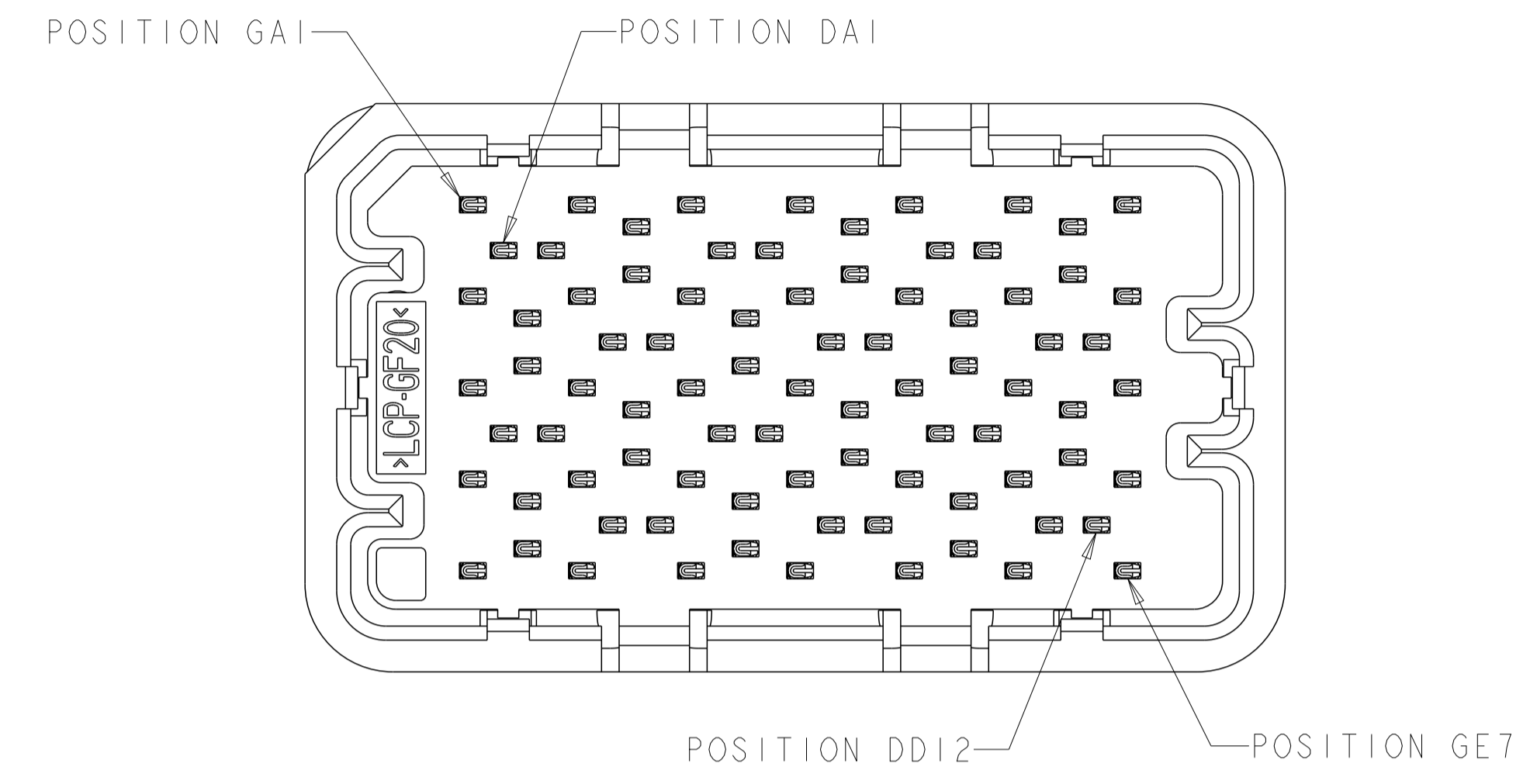


LOC		DIST		REVISIONS			
P	LTN	DESCRIPTION	DATE	DWN	APVD		
A		REVISED PER ECO-12-018201	17OCT2012	KH	MH		



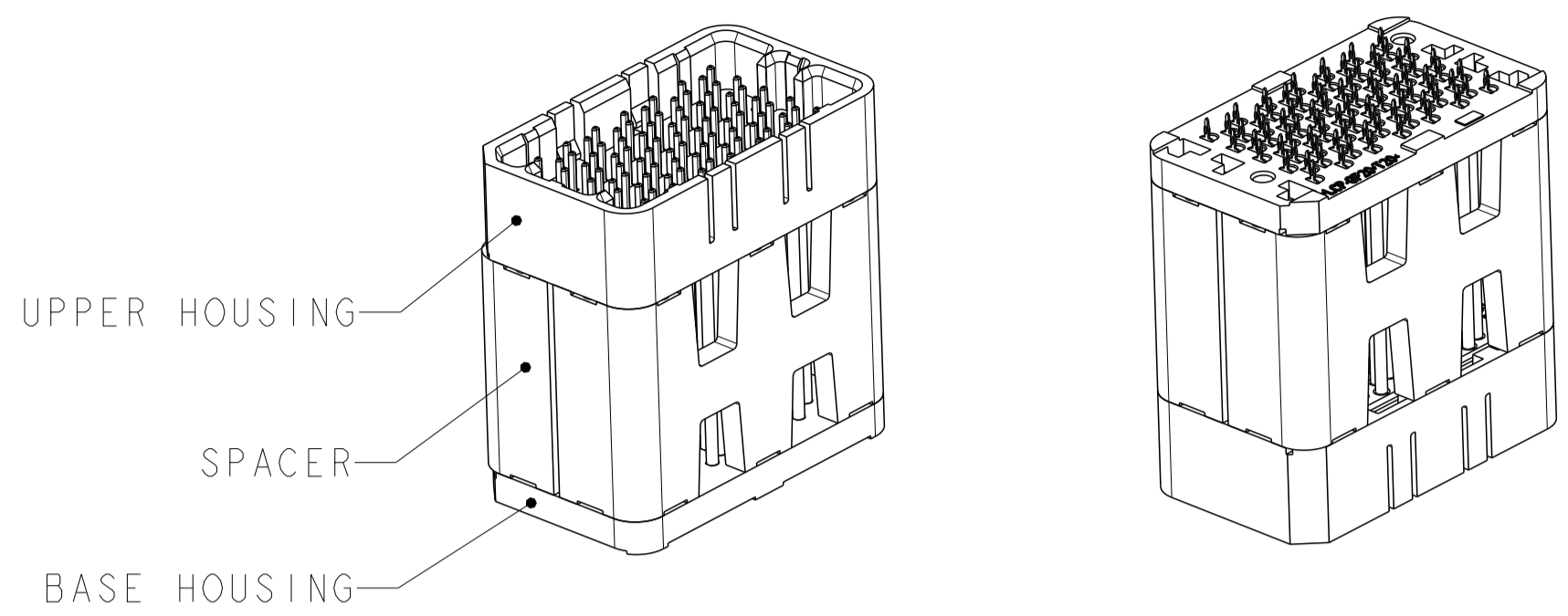
- △ MATERIAL:
 BASE HOUSING, UPPER HOUSING, ORGANIZER,
 AND SPACER: THERMOPLASTIC, FLAMMABILITY
 RATING UL94 V-0
 CONTACT: COPPER ALLOY
- 2. CONFORMS TO THE REQUIREMENTS OF TE PRODUCT
 SPECIFICATION, 108-2375; BASED ON TELCORDIA
 GR-1217-CORE FOR SYSTEM QUALITY LEVEL III,
 APPLICATIONS IN CONTROLLED ENVIRONMENTS
 (CENTRAL OFFICE).
 SEE TE PRODUCT SPECIFICATION 108-2375 FOR
 TEST SEQUENCES.
- △ 3. ROWS GA THRU GE (SHOWN DARKENED) ARE TYPICALLY
 USED AS GROUNDS.
- △ 4. SPECIFIED POSITIONAL TOLERANCE DEFINES HOLE TO
 HOLE LOCATION WITHIN HOLE PATTERN. POSITIONAL
 TOLERANCE OF HOLE PATTERN TO FIDUCIAL MARKS
 OR PCB DATUMS SHALL BE DEFINED BY CUSTOMER.
- △ 5. AREA RESERVED FOR TE CONNECTIVITY LOGO.
- △ 6. AREA RESERVED FOR PART NUMBER (X-XXXXXXX-X)
 AND DATE CODE (YYWW).
- △ USE CENTERLINES INDICATED ON PCB HOLE PATTERN
 TO ESTABLISH ALIGNMENT BETWEEN HEADER AND
 RECEPTACLE BOARDS.
- △ 8. PLATED THROUGH HOLE REQUIREMENTS:
 HOLE SIZE PRIOR TO PLATING = $\varnothing 0.420 \pm 0.013$
 COPPER PLATING THICKNESS = 0.038 ± 0.013
 CALCULATED FINISHED HOLE SIZE = $\varnothing 0.344 \pm 0.039$
 THESE DIMENSIONS APPLY TO THE TOP 1.25mm OF
 THE PCB THICKNESS FROM THE CONNECTOR MOUNTING
 SIDE.
- △ 9. CONTACT SALES FOR AVAILABILITY OF THIS STACK
 HEIGHT.

SIZE 1 HALF WIDE *
24 DIFFERENTIAL PAIRS + GROUNDS
83 TOTAL SIGNAL CONTACTS

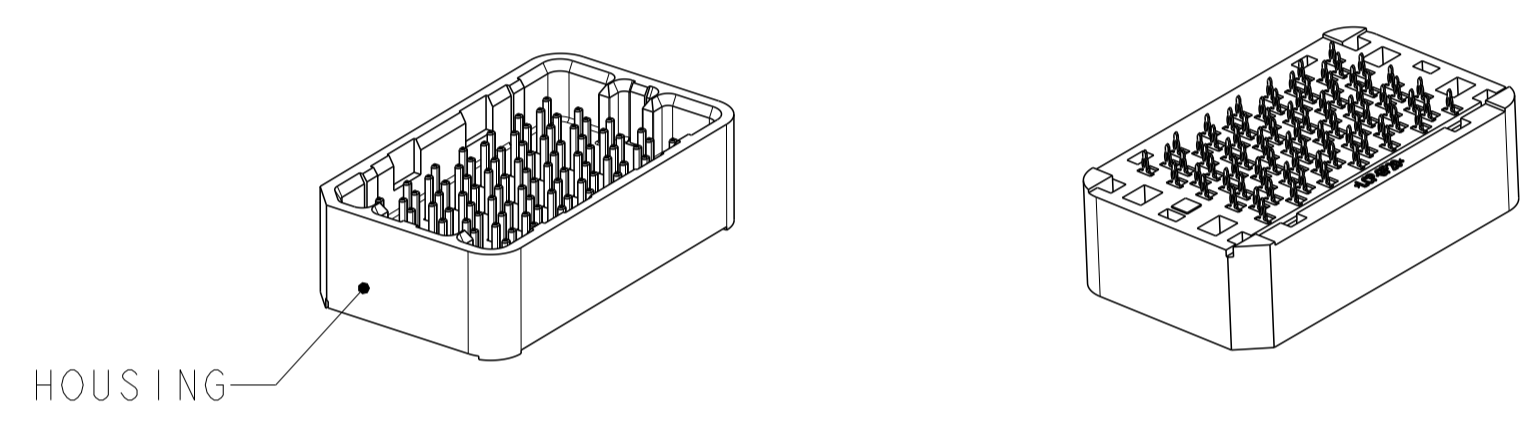
* SIZE 2 AND SIZE 3 ARE ALSO AVAILABLE

THIS DRAWING IS A CONTROLLED DOCUMENT.		DWN HAMNER 30 JUN 2010	TE Connectivity																						
DIMENSIONS:		CHK D. TROUT 06 JUL 2010																							
mm	TOLERANCES UNLESS OTHERWISE SPECIFIED:	APVD J. FEDDER 06 JUL 2010	NAME HEADER ASSEMBLY, HALF-WIDE, 24/83, STRADA MESA MEZZANINE CONNECTOR																						
<table border="0"> <tr><td>0 PLC</td><td>±</td></tr> <tr><td>2 PLC</td><td>±0.13</td></tr> <tr><td>3 PLC</td><td>±0.013</td></tr> <tr><td>4 PLC</td><td>±</td></tr> <tr><td>ANGLES</td><td>±1</td></tr> <tr><td>FINISH</td><td></td></tr> </table>	0 PLC	±	2 PLC	±0.13	3 PLC	±0.013	4 PLC	±	ANGLES	±1	FINISH		<table border="0"> <tr><td>PRODUCT SPEC</td><td>108-2375</td></tr> <tr><td>APPLICATION SPEC</td><td>114-13249</td></tr> <tr><td>SIZE</td><td>CAGE CODE</td><td>DRAWING NO</td><td>RESTRICTED TO</td></tr> <tr><td>A1</td><td>00779</td><td>C=2143410</td><td></td></tr> </table>	PRODUCT SPEC	108-2375	APPLICATION SPEC	114-13249	SIZE	CAGE CODE	DRAWING NO	RESTRICTED TO	A1	00779	C=2143410	
0 PLC	±																								
2 PLC	±0.13																								
3 PLC	±0.013																								
4 PLC	±																								
ANGLES	±1																								
FINISH																									
PRODUCT SPEC	108-2375																								
APPLICATION SPEC	114-13249																								
SIZE	CAGE CODE	DRAWING NO	RESTRICTED TO																						
A1	00779	C=2143410																							
MATERIAL	△	WEIGHT	CUSTOMER DRAWING																						
SCALE 6:1		SHEET 1 OF 4	REV A																						

LOC	DIST	REVISIONS			
P	LYN	DESCRIPTION	DATE	OWN	APVD
-	-	SEE SHEET 1	-	-	-



ISOMETRIC VIEW
 TYPICAL CONFIGURATION FOR 14mm THRU 42mm
 28mm SHOWN
 SCALE 2:1



ISOMETRIC VIEWS
 TYPICAL CONFIGURATION FOR 8mm THRU 13mm
 8mm SHOWN
 SCALE 2:1

TOOLED	DIM H	STACK HEIGHT	CONTACT TAIL PLATING	PART NUMBER
△	41.8	42mm	MATTE Sn	9-2143410-2
△	40.8	41mm	MATTE Sn	9-2143410-1
YES	39.8	40mm	MATTE Sn	9-2143410-0
△	38.8	39mm	MATTE Sn	8-2143410-9
△	37.8	38mm	MATTE Sn	8-2143410-8
△	36.8	37mm	MATTE Sn	8-2143410-7
△	35.8	36mm	MATTE Sn	8-2143410-6
△	34.8	35mm	MATTE Sn	8-2143410-5
△	33.8	34mm	MATTE Sn	8-2143410-4
△	32.8	33mm	MATTE Sn	8-2143410-3
△	31.8	32mm	MATTE Sn	8-2143410-2
△	30.8	31mm	MATTE Sn	8-2143410-1
△	29.8	30mm	MATTE Sn	8-2143410-0
△	28.8	29mm	MATTE Sn	7-2143410-9
△	27.8	28mm	MATTE Sn	7-2143410-8
△	26.8	27mm	MATTE Sn	7-2143410-7
△	25.8	26mm	MATTE Sn	7-2143410-6
YES	24.8	25mm	MATTE Sn	7-2143410-5
△	23.8	24mm	MATTE Sn	7-2143410-4
△	22.8	23mm	MATTE Sn	7-2143410-3
△	21.8	22mm	MATTE Sn	7-2143410-2
△	20.8	21mm	MATTE Sn	7-2143410-1
△	19.8	20mm	MATTE Sn	7-2143410-0
△	18.8	19mm	MATTE Sn	6-2143410-9
△	17.8	18mm	MATTE Sn	6-2143410-8
△	16.8	17mm	MATTE Sn	6-2143410-7
YES	15.8	16mm	MATTE Sn	6-2143410-6
△	14.8	15mm	MATTE Sn	6-2143410-5
△	13.8	14mm	MATTE Sn	6-2143410-4
△	12.8	13mm	MATTE Sn	6-2143410-3
△	11.8	12mm	MATTE Sn	6-2143410-2
△	10.8	11mm	MATTE Sn	6-2143410-1
△	9.8	10mm	MATTE Sn	6-2143410-0
△	8.8	9mm	MATTE Sn	5-2143410-9
△	7.8	8mm	MATTE Sn	5-2143410-8
TOOLED	DIM H	STACK HEIGHT	CONTACT TAIL PLATING	PART NUMBER

TOOLED	DIM H	STACK HEIGHT	CONTACT TAIL PLATING	PART NUMBER
△	41.8	42mm	Sn/Pb	4-2143410-2
△	40.8	41mm	Sn/Pb	4-2143410-1
YES	39.8	40mm	Sn/Pb	4-2143410-0
△	38.8	39mm	Sn/Pb	3-2143410-9
△	37.8	38mm	Sn/Pb	3-2143410-8
△	36.8	37mm	Sn/Pb	3-2143410-7
△	35.8	36mm	Sn/Pb	3-2143410-6
△	34.8	35mm	Sn/Pb	3-2143410-5
△	33.8	34mm	Sn/Pb	3-2143410-4
△	32.8	33mm	Sn/Pb	3-2143410-3
△	31.8	32mm	Sn/Pb	3-2143410-2
△	30.8	31mm	Sn/Pb	3-2143410-1
△	29.8	30mm	Sn/Pb	3-2143410-0
△	28.8	29mm	Sn/Pb	2-2143410-9
△	27.8	28mm	Sn/Pb	2-2143410-8
△	26.8	27mm	Sn/Pb	2-2143410-7
△	25.8	26mm	Sn/Pb	2-2143410-6
YES	24.8	25mm	Sn/Pb	2-2143410-5
△	23.8	24mm	Sn/Pb	2-2143410-4
△	22.8	23mm	Sn/Pb	2-2143410-3
△	21.8	22mm	Sn/Pb	2-2143410-2
△	20.8	21mm	Sn/Pb	2-2143410-1
△	19.8	20mm	Sn/Pb	2-2143410-0
△	18.8	19mm	Sn/Pb	1-2143410-9
△	17.8	18mm	Sn/Pb	1-2143410-8
△	16.8	17mm	Sn/Pb	1-2143410-7
YES	15.8	16mm	Sn/Pb	1-2143410-6
△	14.8	15mm	Sn/Pb	1-2143410-5
△	13.8	14mm	Sn/Pb	1-2143410-4
△	12.8	13mm	Sn/Pb	1-2143410-3
△	11.8	12mm	Sn/Pb	1-2143410-2
△	10.8	11mm	Sn/Pb	1-2143410-1
△	9.8	10mm	Sn/Pb	1-2143410-0
△	8.8	9mm	Sn/Pb	2143410-9
△	7.8	8mm	Sn/Pb	2143410-8
TOOLED	DIM H	STACK HEIGHT	CONTACT TAIL PLATING	PART NUMBER

THIS DRAWING IS A CONTROLLED DOCUMENT. DWG: HAMNER 30JUN2010
 CHK: D. TROUT 06JUL2010
 APVD: J. FEDDER 06JUL2010

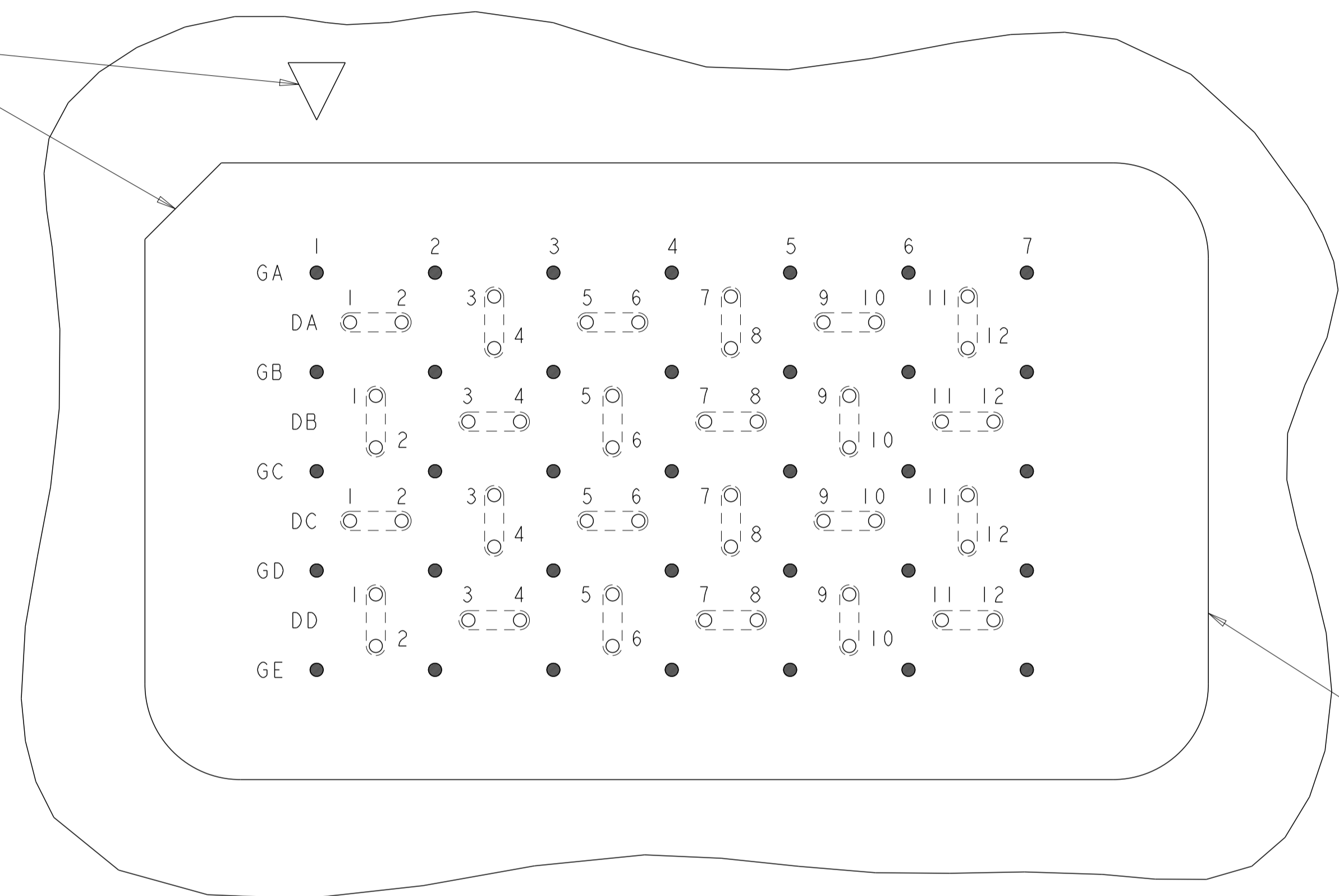
STE TE Connectivity

NAME: HEADER ASSEMBLY, HALF-WIDE, 24/83, STRADA MESA MEZZANINE CONNECTOR
 PRODUCT SPEC: 108-2375
 APPLICATION SPEC: 114-13249

SIZE: A1 CAGE CODE: 2143410 DRAWING NO: 100779
 WEIGHT: - RESTRICTED TO: -
 CUSTOMER DRAWING SCALE: 6:1 SHEET 2 OF 4 REV A


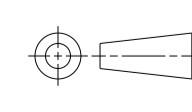
LOC	DIST	REVISIONS			
P	LTN	DESCRIPTION	DATE	DMN	APVD
-	-	SEE SHEET 1	-	-	-

A1 CORNER INDICATORS.

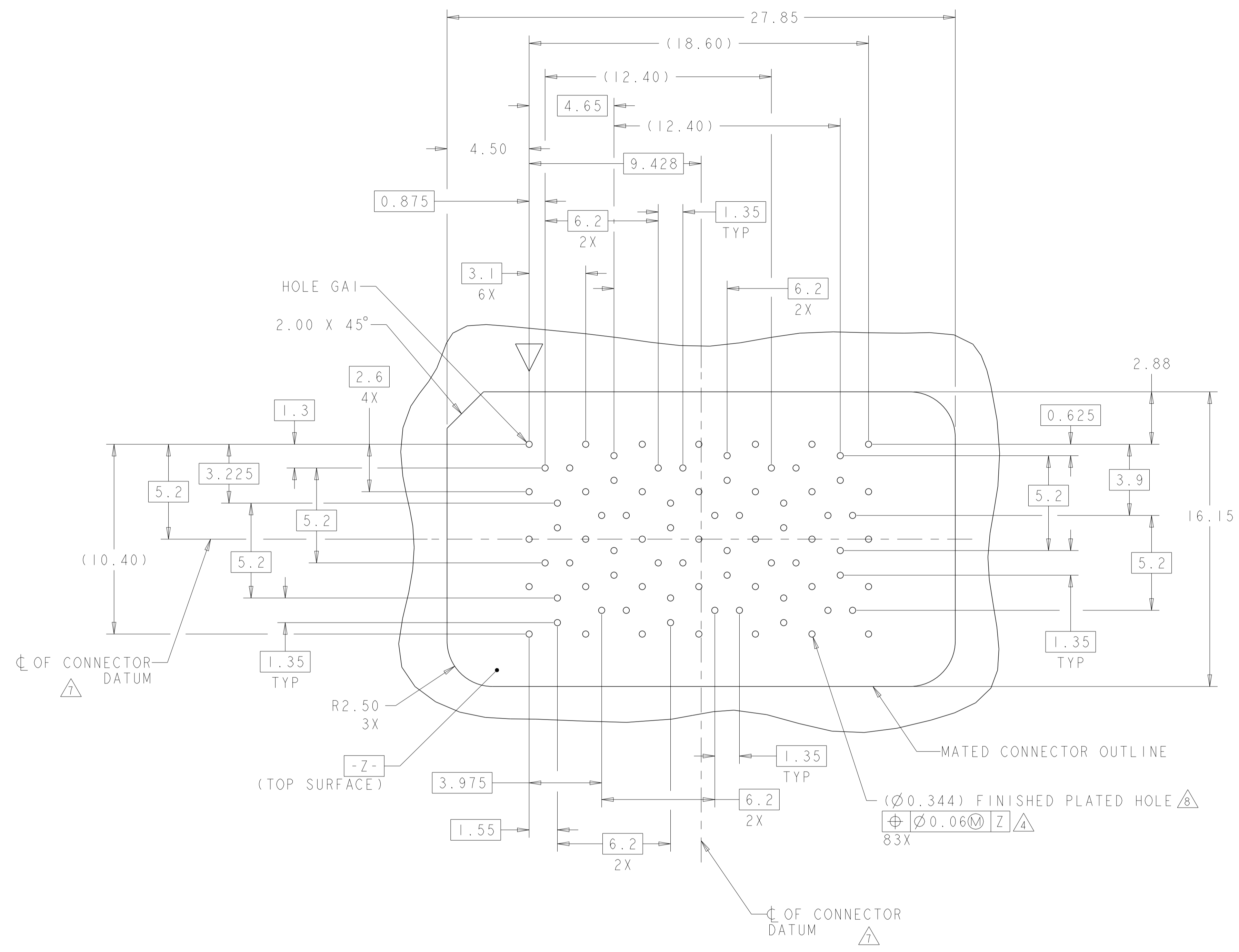


MATED CONNECTOR OUTLINE
 SEE SHEET 4 FOR LOCATION TO HOLES

PCB LAYOUT AND PIN IDENTIFICATION 
 SHOWN FROM CONNECTOR SIDE
 SCALE 9:1

THIS DRAWING IS A CONTROLLED DOCUMENT.		DMN HAMNER	30 JUN 2010	 TE Connectivity
DIMENSIONS:		CHK D. TROUT	06 JUL 2010	
mm	TOLERANCES UNLESS OTHERWISE SPECIFIED:	APVD J. FEDDER	06 JUL 2010	NAME HEADER ASSEMBLY, HALF-WIDE, 24/83, STRADA MESA MEZZANINE CONNECTOR
	0 PLC ± 2 PLC ±.13 3 PLC ±0.013 4 PLC ± ANGLES ±.1	PRODUCT SPEC 108-2375	APPLICATION SPEC 114-13249	SIZE A100779
MATERIAL	FINISH	WEIGHT	114-13249	DRAWING NO C=2143410
CUSTOMER DRAWING		SCALE	6:1	SHEET 3 OF 4
		REV		A

LOC	DIST	REVISIONS			
P	LYR	DESCRIPTION	DATE	DWN	APVD
-	-	SEE SHEET 1	-	-	-



PCB HOLE PATTERN
 SHOWN FROM CONNECTOR SIDE
 SCALE 7:1

THIS DRAWING IS A CONTROLLED DOCUMENT.		DWN HAMNER 30JUN2010	TE Connectivity
DIMENSIONS: mm		CHK D. TROUT 06JUL2010	
TOLERANCES UNLESS OTHERWISE SPECIFIED: 0 PLC ± 2 PLC ±0.13 3 PLC ±0.013 4 PLC ± ANGLES ±1		APVD J. FEDDER 06JUL2010	NAME
MATERIAL		PRODUCT SPEC 108-2375	HEADER ASSEMBLY, HALF-WIDE, 24/83, STRADA MESA MEZZANINE CONNECTOR
FINISH		APPLICATION SPEC 114-13249	RESTRICTED TO
WEIGHT		SIZE CAGE CODE DRAWING NO. A100779C=2143410	SCALE 6:1 SHEET 4 OF 4 REV A
CUSTOMER DRAWING		WEIGHT	