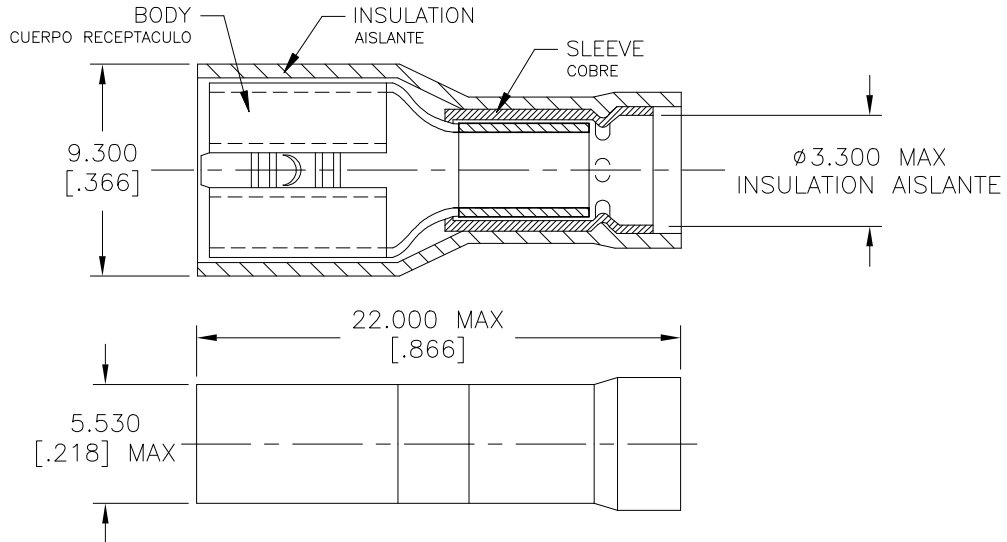


REVISIONS

P	LTR	DESCRIPTION	DATE	DWN	APVD
	F2	DRAWING UPDATED FOR BETTER VISIBILITY	18APR2018	SH	NG
	F3	REVISED PER ECO-19-004234	18SEP2019	RS	DR
	F4	REVISED PER ECO-19-016648	08NOV2019	RS	DR



NOTE:

① - FOR MANUAL TOOLING TOOL, CONSULT TE.  
 PARA HERRAMIENTA MANUAL DE ENGASTE CONSULTE A TE.

② - MATERIAL:  
 BODY: SEE TABLE  
 SLEEVE: COPPER PER ASTM B152  
 INSULATION: POLYAMIDE 6/6 (NYLON) PER ASTM D4066

MATERIAL:  
 CUERPO: VER TABLA  
 MANGA: COBRE POR ASTM B152  
 AISLAMIENTO: POLIAMIDA 6/6 (NYLON) POR ASTM D4066

③ - FINISH:  
 BODY: TIN PLATE 0.002[.000079]  
 MIN EXTERNAL THICKNESS PER ASTM B545  
 SLEEVE: NONE  
 INSULATION: COLOR-RED

4. WIRE RANGE: 0.300[.012] - 1.500[.059] mm<sup>2</sup> [17-16 AWG]

TERMINAR:  
 CUERPO: HOJALATA 0.002 [.000079]  
 ESPESOR MÍNIMO EXTERNO POR ASTM B545  
 MANGA: NINGUNA  
 AISLAMIENTO: COLOR-ROJO


735279	LOOSE PIECE PIEZA SUELTA	100	BRASS PER ASTM B36 LATÓN POR ASTM B36	0.3 - 1.0 mm <sup>2</sup>
735278		100	BRASS PER ASTM B36 LATÓN POR ASTM B36	1.0 - 1.5 mm <sup>2</sup>
735278-1		100	PHOS BRONZE PER ASTM B103 LATON ESTANADO POR ASTM B103	1.0 - 1.5 mm <sup>2</sup>
PART NUMBER NÚMERO DE PIEZA	PACKAGE TYPE TIPO DE PAQUETE	QTY CANTIDAD	BODY MATL. CUERPO MATL.	① WIRE RANGE RANGO DE CABLES

RELEASED FOR PUBLICATION

ALL RIGHTS RESERVED.

THIS DRAWING IS UNPUBLISHED.

© COPYRIGHT - TE Connectivity Ltd.

DIMENSIONS: mm [INCHES]	DWN	B. SANGANNA	18APR2018	MATERIAL	② -	FINISH	③ -
	CHK	S. GURURAJ	18APR2018	 TE Connectivity			
TOLERANCES UNLESS OTHERWISE SPECIFIED:	APVD	G. NIMBENAPPA	18APR2018				
	0 PLC ± -	PRODUCT SPEC	-	RECEPTACLE PIDG FASTON ISOLATED 6.35 SERIES RECEPTACULO FASTON SERIE 6.35 AISLADO PIDG			
1 PLC ± -	APPLICATION SPEC	-	SIZE	CAGE CODE	DRAWING NO	RESTRICTED TO	
2 PLC ± -	WEIGHT	-	A4	00779	③-735278	-	
3 PLC ± 0.500[.019]	CUSTOMER DRAWING	SCALE		NONE	SHEET	1 OF 1	REV
4 PLC ± -		SCALE		NONE	SHEET	1 OF 1	REV
ANGLES ± -	CUSTOMER DRAWING		SCALE		NONE	SHEET	1 OF 1
	CUSTOMER DRAWING		SCALE		NONE	SHEET	1 OF 1
	CUSTOMER DRAWING		SCALE		NONE	SHEET	1 OF 1