

DRAWING MADE IN THIRD ANGLE PROJECTION

3

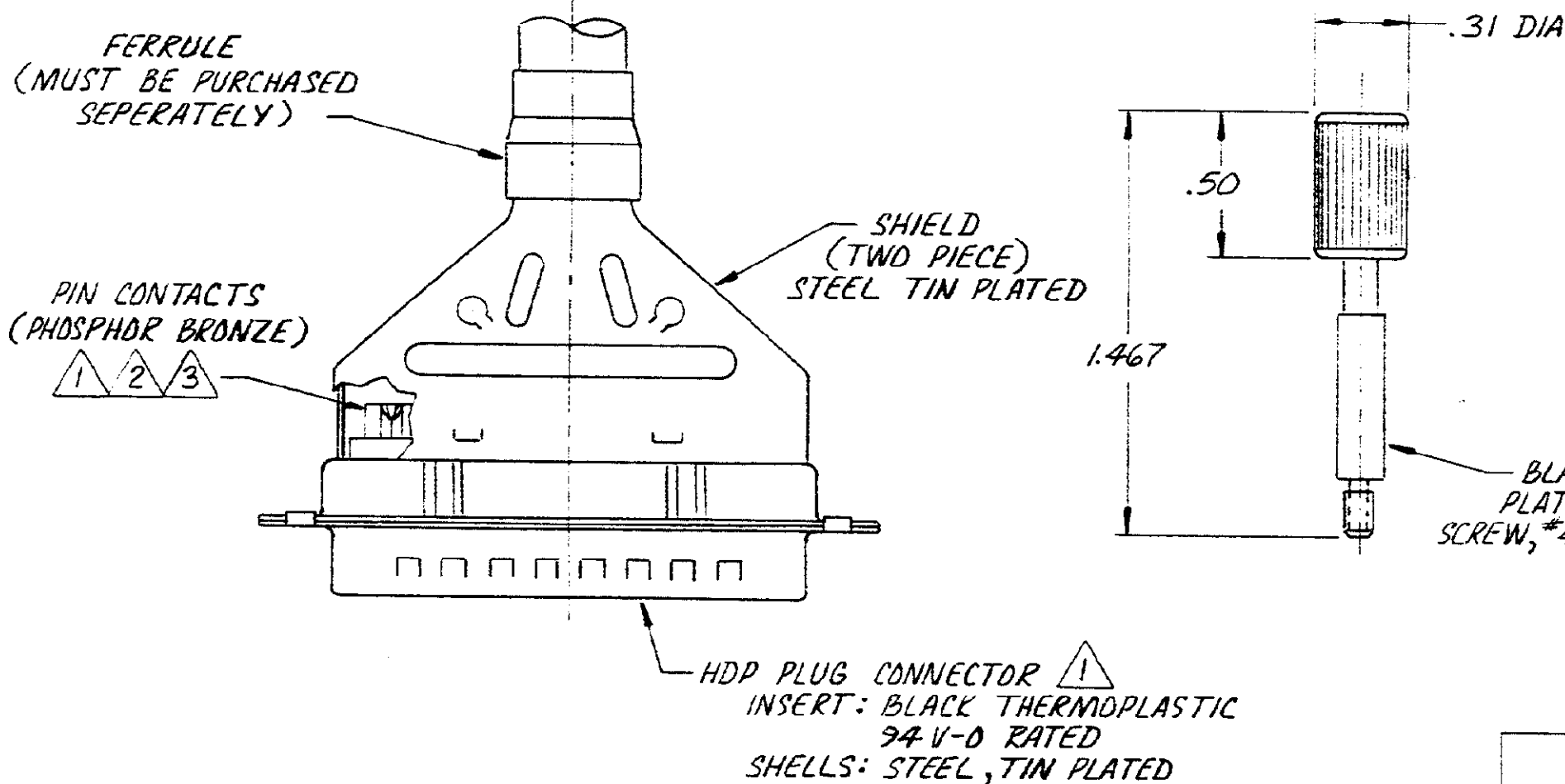
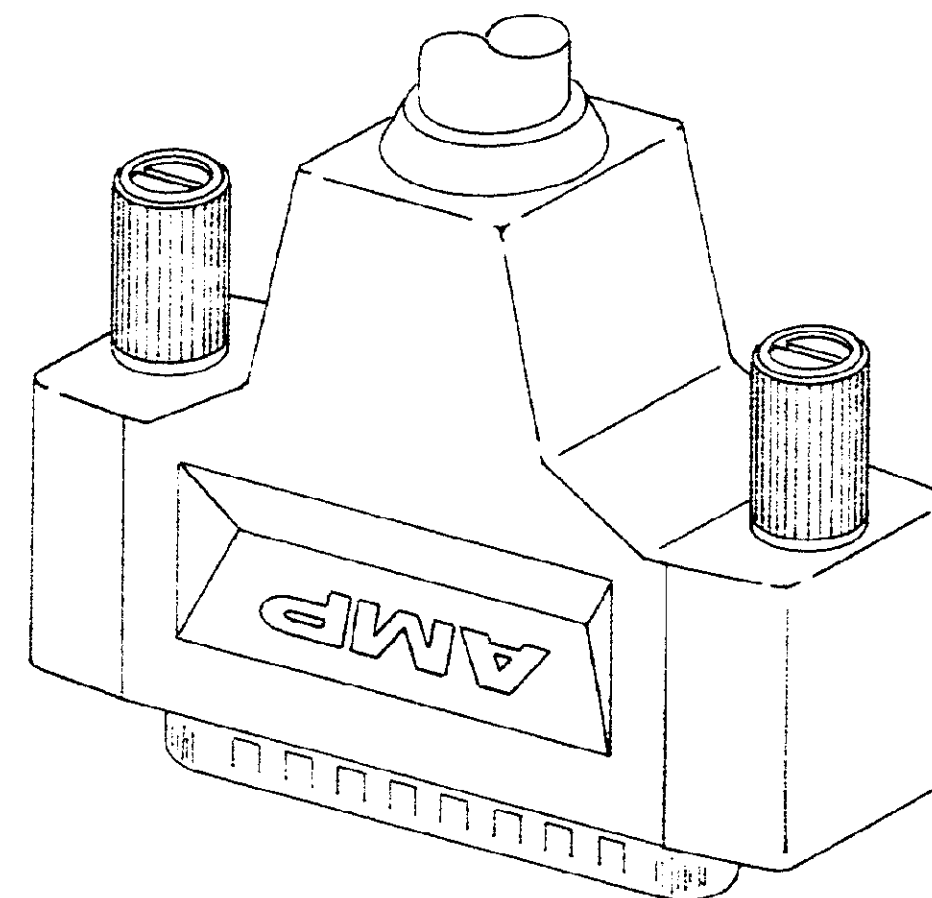
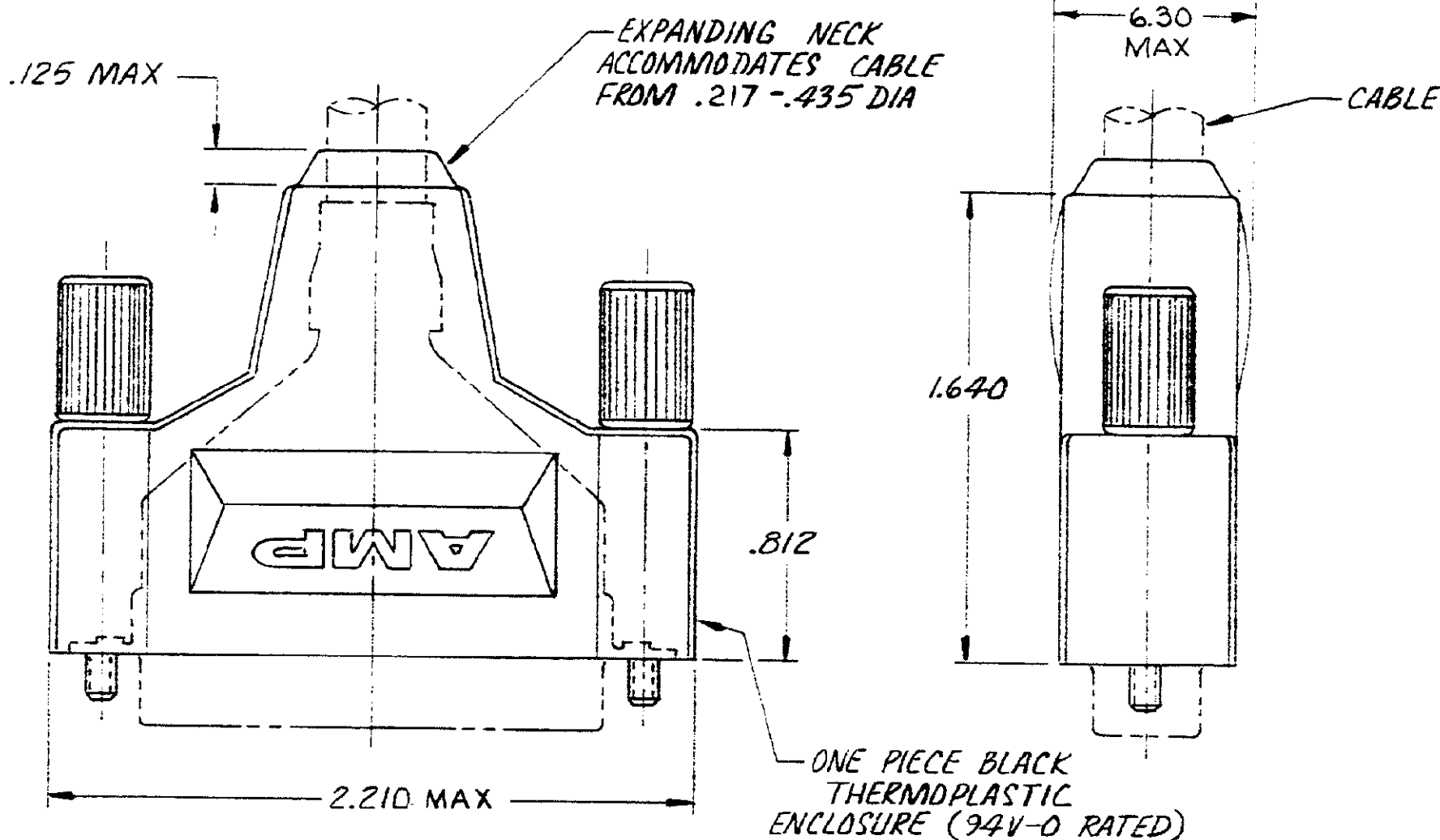
2

1

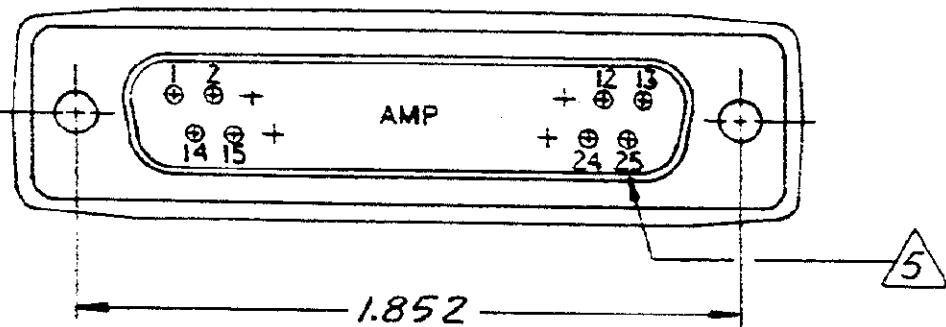
LOC 39  
BD

THIS DRAWING IS UNPUBLISHED. RELEASED FOR PUBLICATION  
 © COPYRIGHT 19 BY AMP INCORPORATED, HARRISBURG, PA. ALL INTERNATIONAL RIGHTS RESERVED. AMP PRODUCTS MAY BE COVERED BY U.S. AND FOREIGN PATENTS AND/OR PATENTS PENDING.

REVISIONS					
P	F	ZONE	DESCRIPTION	DATE	APPROVED
		G	REV PER 0G3C-0303-03	24JUL03	JO
		H	REV PER 0G3C-0628-03	18DEC03	JO



- 1 PLUG CONNECTOR FULLY LOADED WITH CONTACTS. ALL OTHER PARTS ARE SHIPPED UNASSEMBLED (EACH PART INDIVIDUALLY BULK PACKED).
- 2 SOLDER CUP WILL ACCOMMODATE AWG 20 MAX WIRE.
- 3 CONTACTS PLATED WITH GOLD FLASH ON MATING END FOR .150 MIN LENGTH. .000150-.000300 TIN-LEAD PLATE ON SOLDER CUP WITH .000030 NICKEL UNDERPLATE ON ENTIRE CONTACT.
- 4 ALTERNATE FINISH ON CONTACTS AVAILABLE AT CUSTOMER'S REQUEST.
- 5 RAISED CAVITY IDENTIFICATION AND AMP TRADEMARK.
- 6 GOLD FLASH FOR LENGTH OF .150 MIN ON MATING END, .000150-.000300 TIN ON SOLDER END, ALL OVER .000030 NICKEL ON ENTIRE CONTACT.
- 7 LEAD FREE PART.



7	6	748050-3
SUPERSEDED BY 1571652-3		3
		CONTACT FINISH
		PART NO
		748050-1

UNLESS OTHERWISE SPECIFIED DIMENSIONS ARE IN INCHES. TOLERANCES ON: DECIMALS = .020 ANGLES =	CONTRACT NO	AMP   AMP INCORPORATED Harrisburg, Pa. 17105		
	DR <i>M.E. Shirk</i> 7-9-85	NAME	AMPLIMITE SHIELDING ENCLOSURE, BULK KIT, PLUG, SOLDER CUP HDP-20, SIZE 3, 25 POSITION	
MATERIAL	CHK <i>R. Jones</i> 8-23-85	APRD <i>R. Jones</i> 8-23-85	APPD <i>R. Jones</i> 8-23-85	
FINISH	DSGN APPD	SIZE	FSCM NO	DRAWING NO
SEE CALL OUT		C	00779	748050
SEE CALL OUT	OTHER APPD <i>C.E. K... 8/24/85</i>	SCALE		SHEET 1 OF 1