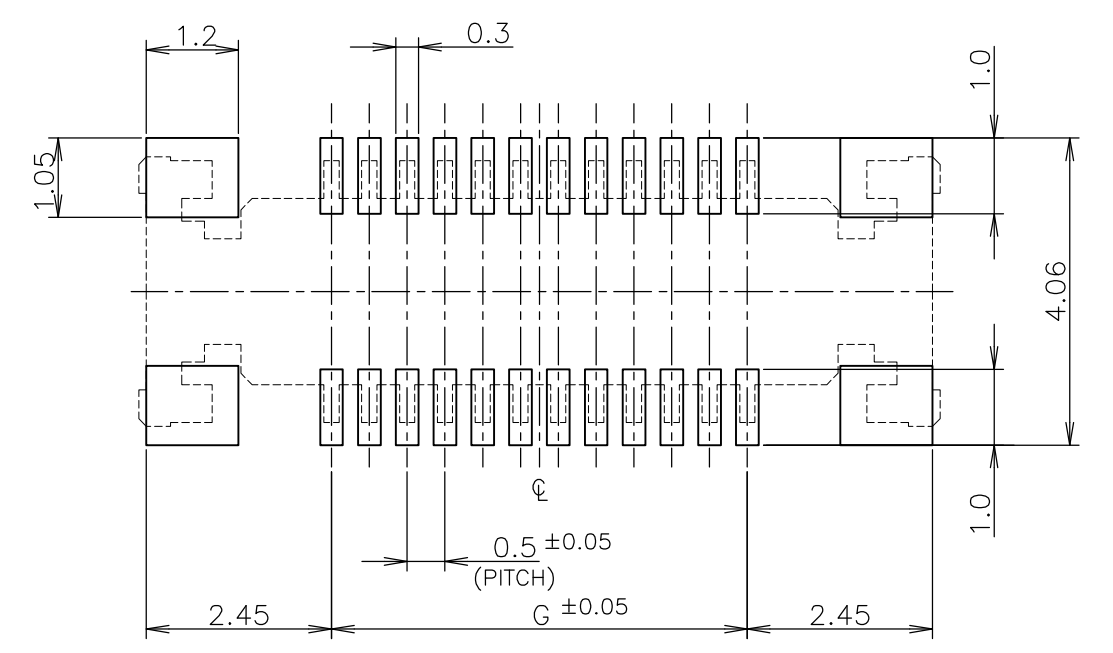
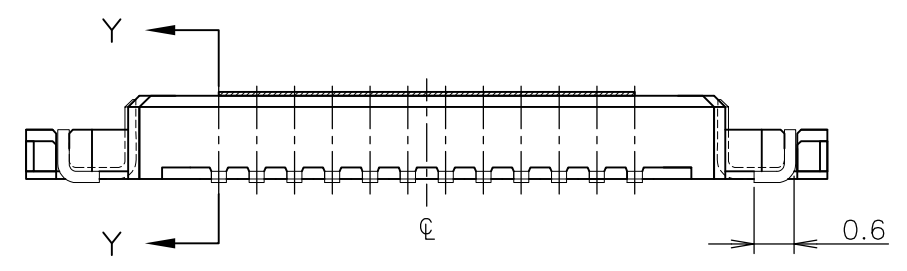
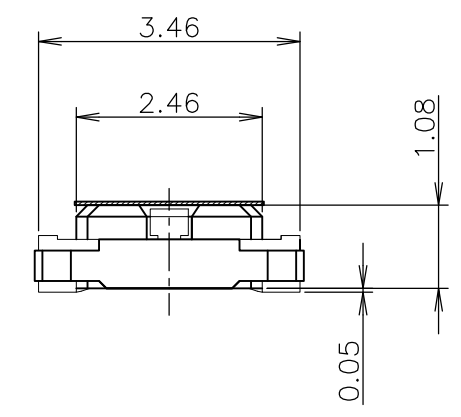
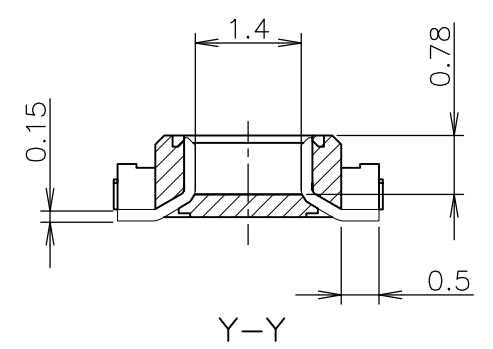
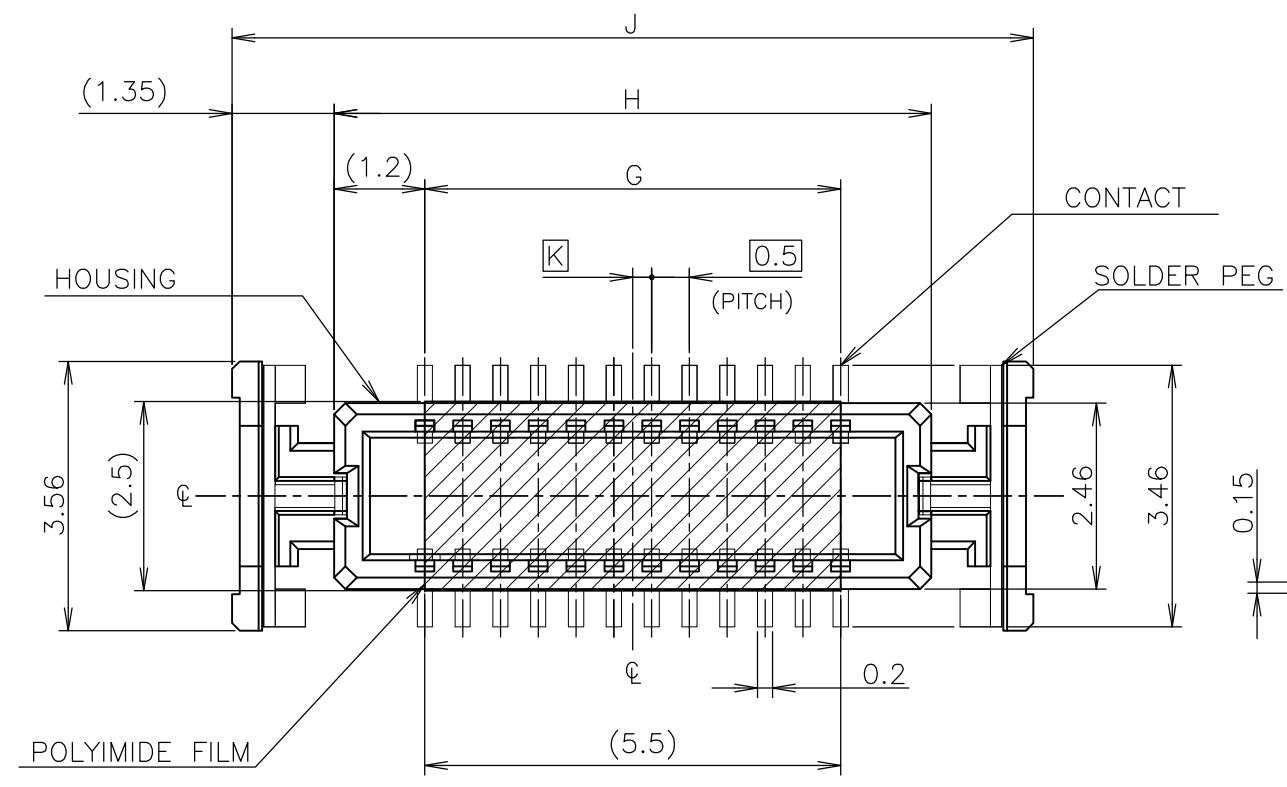


THIS DRAWING IS UNPUBLISHED. RELEASED FOR PUBLICATION NOV. 2004.
 © COPYRIGHT 2004 By - ALL RIGHTS RESERVED.

LOC	DIST	REVISIONS					
		P	LTR	DESCRIPTION	DATE	DWN	APVD
J	-	-	-	SEE SHEET 1	-	-	-



(T=0.6 MIN.)
P.C. BOARD LAYOUT (REF.)

④	③	0.25	24.6	21.9	19.5	80	8-5353164-7
④	③	0.25	24.6	21.9	19.5	80	8-5353164-6
⑨	OBSOLETE	③	0.25	24.6	21.9	80	8-5353164-5
		⑤	0.25	24.6	21.9	80	8-5353164-0
		④	--	22.1	19.4	70	7-5353164-7
④	③	--	22.1	19.4	17	70	7-5353164-6
⑤	③	--	22.1	19.4	17	70	7-5353164-5
		⑤	--	22.1	19.4	70	7-5353164-0
④	③	0.25	19.6	16.9	14.5	60	6-5353164-6
	③	0.25	19.6	16.9	14.5	60	6-5353164-5
⑨	OBSOLETE	0.25	19.6	16.9	14.5	60	6-5353164-0
⑨	OBSOLETE	--	17.1	14.4	12.0	50	5-5353164-5

INSTRUCTION SHEET		DIMENSION		POS.	PART NO.
411-5781		K	J		
DWN		TE Connectivity			
CHK					
APVD					
NAME 名称					
PRODUCT SPEC 製品規格		ON TAPING EMBOSS			
APPLICATION SPEC 取付適用規格		0.5mm PITCH FS CONN.			
WEIGHT		TAB ASSEMBLY WITH FILM			
MATERIAL 材料		SIZE	CAGE CODE	DRAWING NO 番号	RESTRICTED TO
FINISH 仕上		A3	00779	G-5353164	-
TOLERANCES UNLESS OTHERWISE SPECIFIED: 一般公差		SCALE 尺度 10:1		SHEET 2 OF 2	REV H
DIMENSIONS: 単位: 耗 mm		CUSTOMER DRAWING			
0 PLC ± 0.2 1 PLC ± 0.2 2 PLC ± 0.2 3 PLC ± 0.2 4 PLC ± 0.2 ANGLES ± 3°					