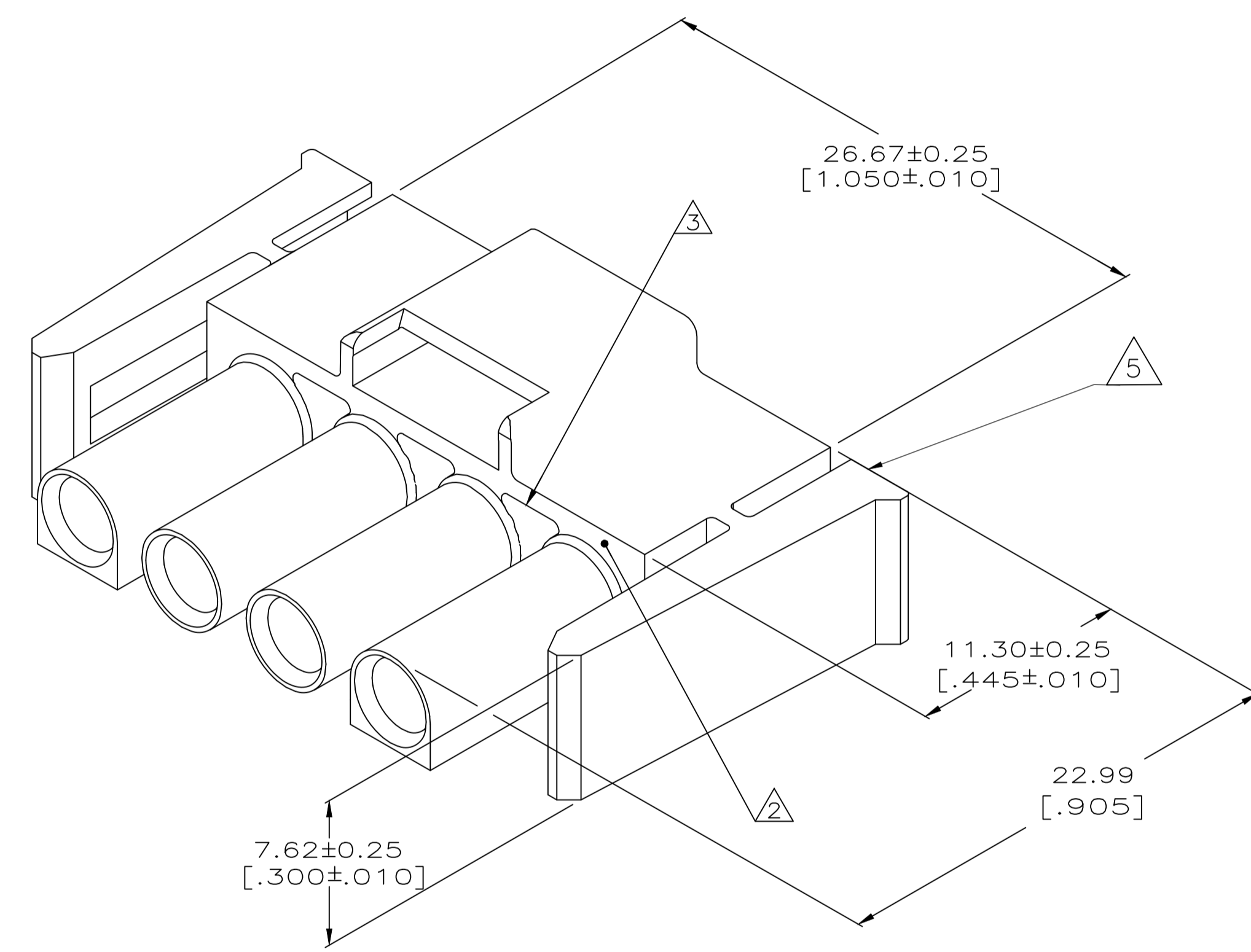


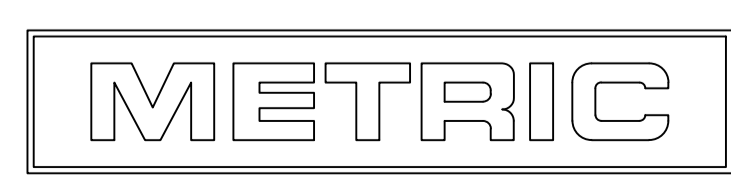
THIS DRAWING IS UNPUBLISHED. RELEASED FOR PUBLICATION  
 © COPYRIGHT - TE Connectivity ALL RIGHTS RESERVED.

REVISIONS					
P	LTR	DESCRIPTION	DATE	DWN	APVD
E2		REV. ECO 17-011267	12SEP2017	HC	KR

- MUST BE ASSEMBLED WITH PLUG REAR P/N 770036-1 BEFORE MATING. KIT P/N IS 770019-1.
- AMP LOGO LOCATED THIS SURFACE.
- NEW MOLD CONSTRUCTION PROVIDES MATERIAL REDUCTION CORING AT BASE OF SILOS WITH NO CORING AS OPTIONAL.
- DIMENSIONS SHOWN REPRESENT PRODUCT IN DRY, AS MOLDED CONDITION. ADDITIONAL 2% GROWTH DUE TO SUBSEQUENT MOISTURE ABSORPTION MAY OCCUR AND SHOULD BE ACCOUNTED FOR
- CSA CERTIFICATION LOGO LOCATED APPROXIMATELY AS SHOWN



770035-1  
PART NUMBER



THIS DRAWING IS A CONTROLLED DOCUMENT.		DWN K. SALMON 1-15-92	770035-1	
DIMENSIONS: INCHES		CHK R. SWING 1-15-92	APVD	
TOLERANCES UNLESS OTHERWISE SPECIFIED:		NAME		
0 PLC ± -	PRODUCT SPEC	PLUG FRONT, 4 CIRCUIT, UNIVERSAL MATE-N-LOK		
1 PLC ± -	APPLICATION SPEC	-		
2 PLC ± -	WEIGHT	0		
3 PLC ± 0.13 [.005]	SIZE	A1		
4 PLC ± -	CAGE CODE	00779		
ANGLES ± -	DRAWING NO	C=770035		
MATERIAL NYLON,UL94V-0,		CUSTOMER DRAWING		
FINISH		SCALE 5:1 SHEET 1 OF 1 REV E2		