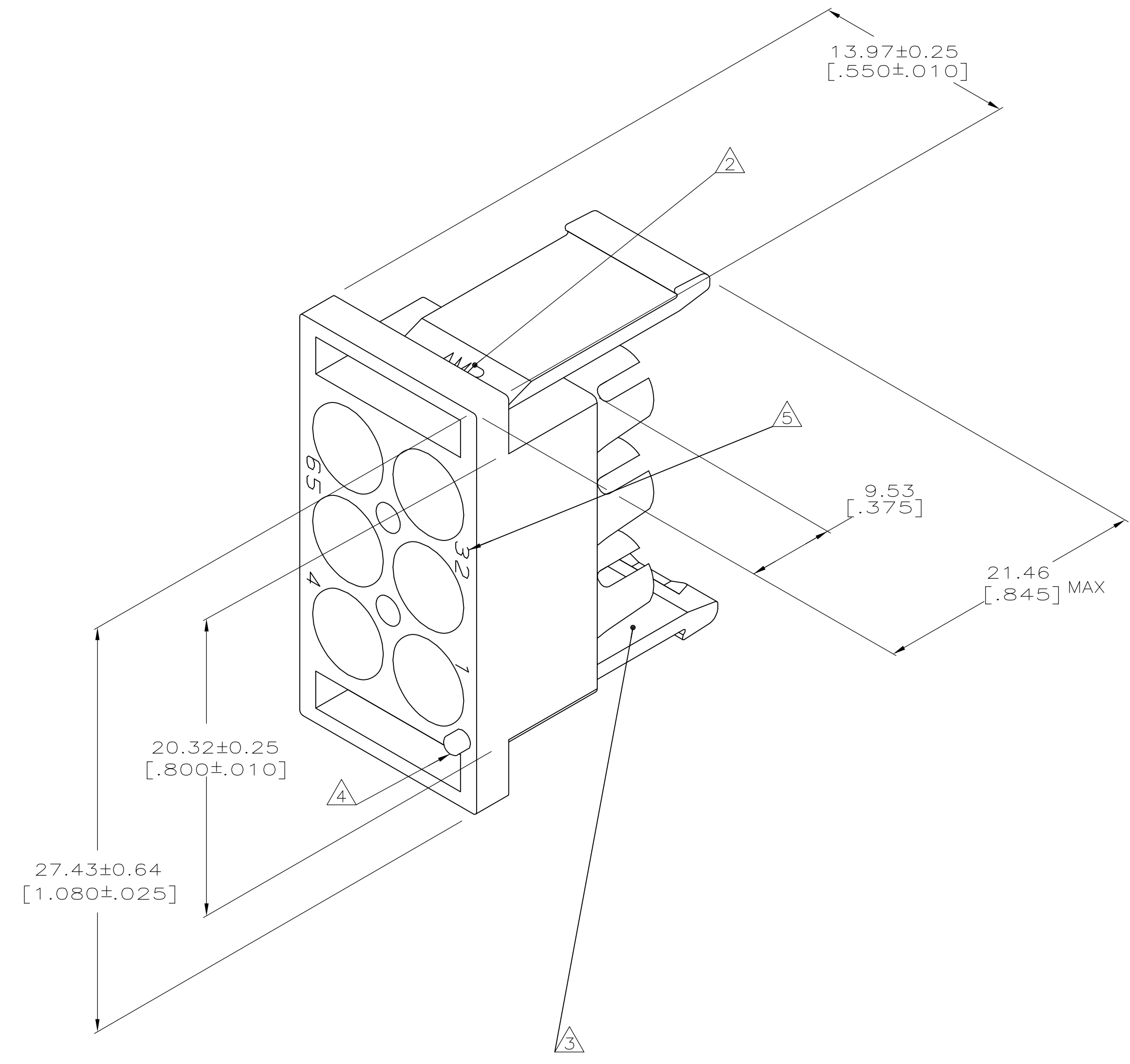
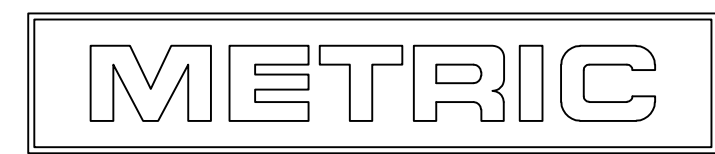


REVISIONS				
P	LTR	DESCRIPTION	DATE	DWN / APVD
F1		ECR-17-009529	03JUL2017	SW / RS



1. MUST BE ASSEMBLED WITH PLUG FRONT P/N 770037-1 BEFORE MATING. KIT P/N IS 770020-1.
2. AMP LOGO LOCATED THIS SURFACE.
3. UL AND CSA LOGOS LOCATED ON FARSIDE.
4. CIRCUIT NO. 1 IDENTIFICATION BUTTON LOCATED APPROXIMATELY AS SHOWN.
5. LOCATION OF CIRCUIT NUMBERS MOVE BUT WILL REMAIN ADJACENT TO APPROPRIATE CAVITY.
6. DIMENSIONS SHOWN REPRESENT PRODUCT IN DRY, AS MOLDED, CONDITION ADDITIONAL 2% GROWTH DUE TO SUBSEQUENT MOISTURE ABSORPTION MAY OCCUR AND SHOULD BE ACCOUNTED FOR.
7. DIMENSIONS IN BRACKETS ARE IN INCHES.



770038-1
PART NUMBER

THIS DRAWING IS A CONTROLLED DOCUMENT.		DWN K. SALMON 1-15-92	TE Connectivity	
DIMENSIONS: INCHES		CHK R. SWING 1-15-92	NAME PLUG REAR, 6 CIRCUIT, UNIVERSAL MATE-N-LOK™	
TOLERANCES UNLESS OTHERWISE SPECIFIED:		APVD -	PRODUCT SPEC -	
0 PLC ± -		APPLICATION SPEC -	RESTRICTED TO -	
1 PLC ± -		SIZE A1	CAGE CODE 00779	DRAWING NO. 770038
2 PLC ± -		WEIGHT 0.000000	SCALE 5:1	SHEET 1 of 1
3 PLC ± 0.13 [.005]		CUSTOMER DRAWING	REV F1	
4 PLC ± -				
ANGLES ± ± -				
MATERIAL NYLON,UL94V-0,				
FINISH -				