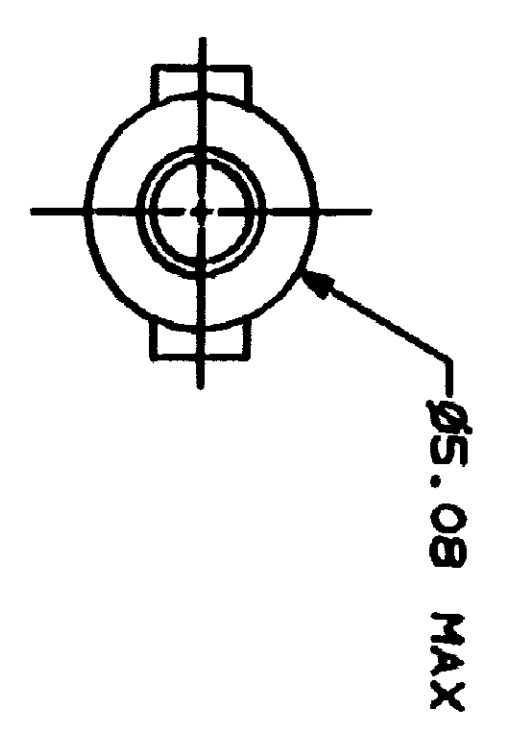
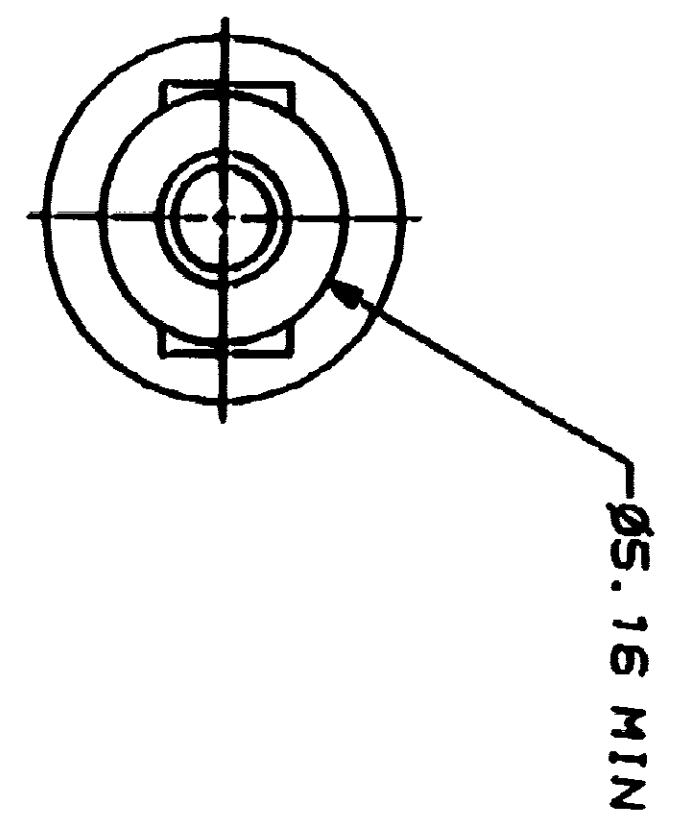
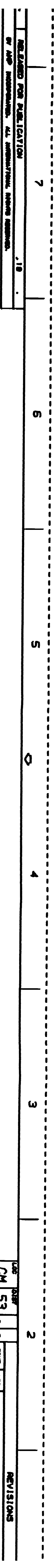
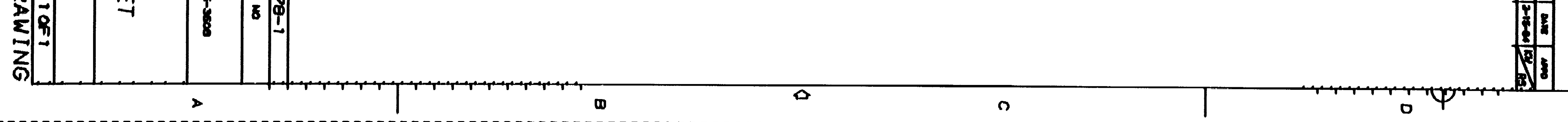
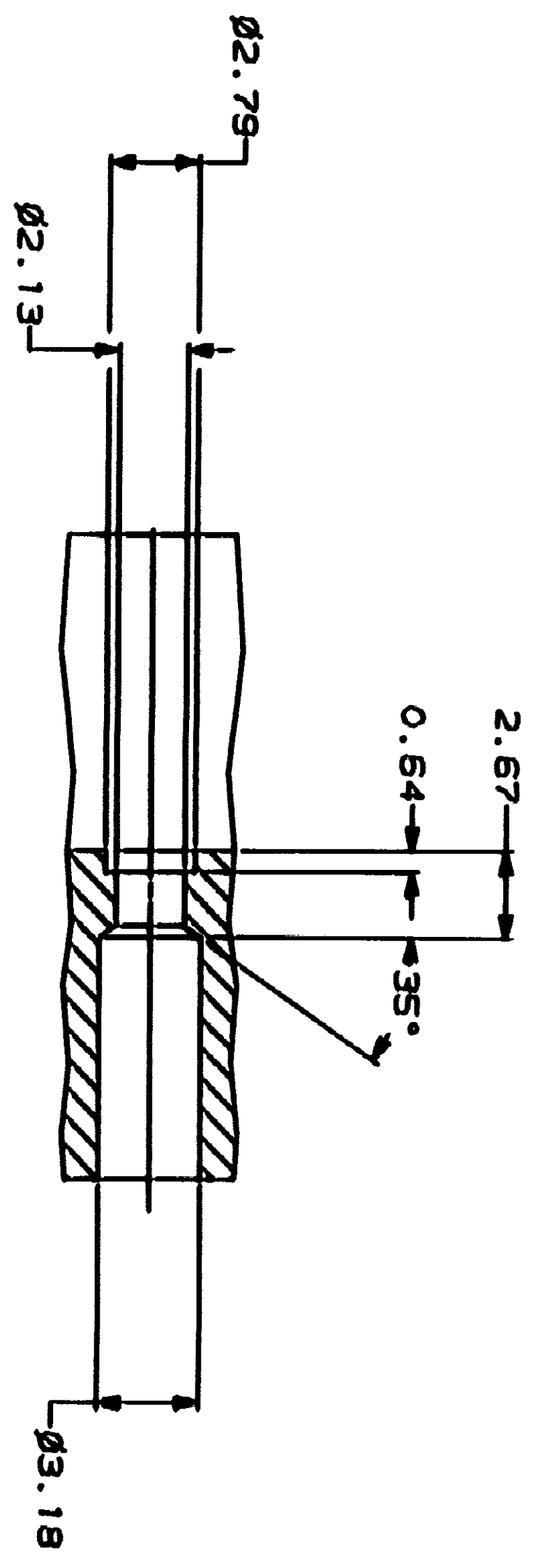
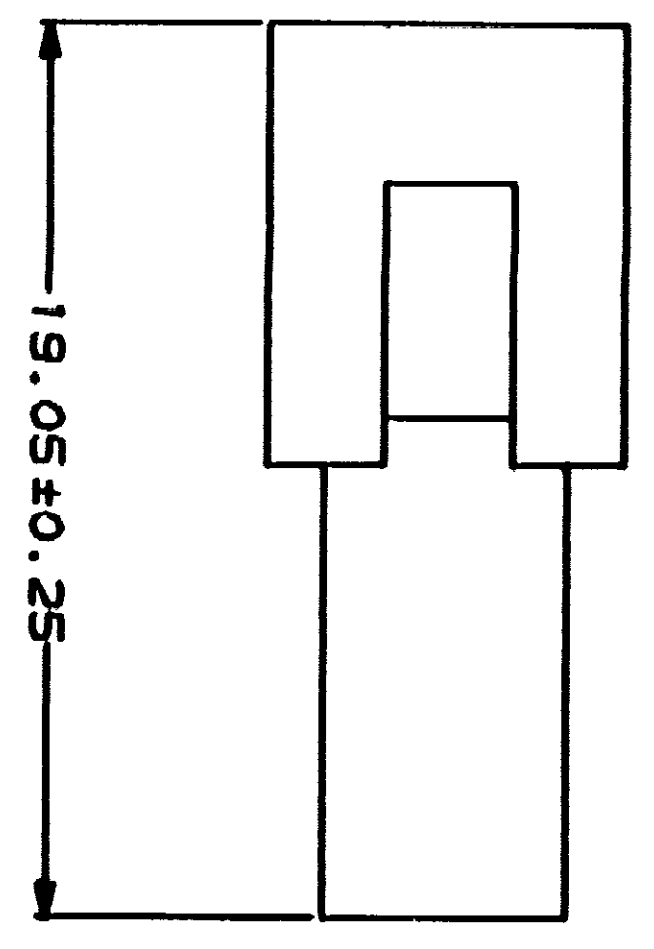


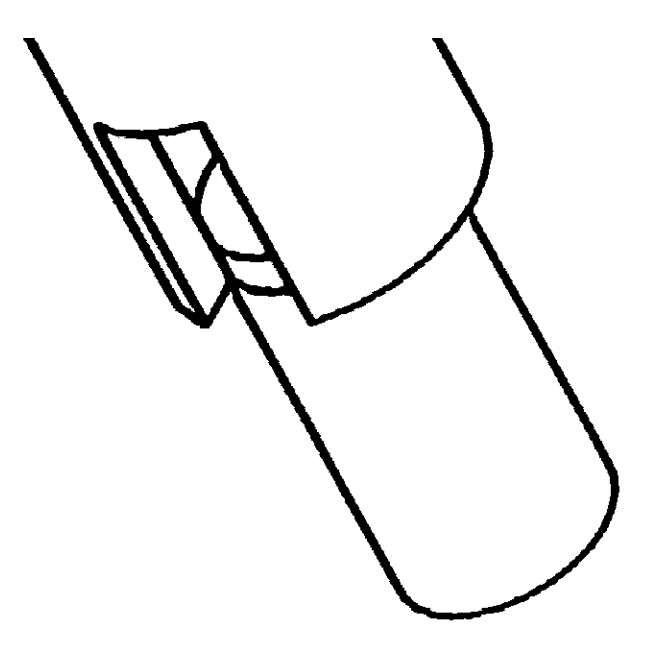
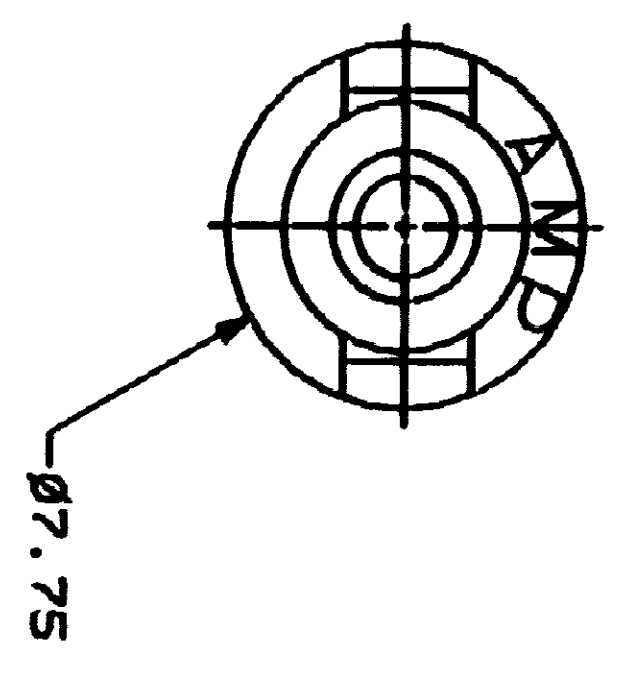
| | |
|---------|-------|
| DATE | APP'D |
| 1-18-84 | CM |



MATING CONNECTOR INTERFACE



TYPICAL PLUG CAVITY SECTION
(DIMENSIONS REFERENCE ONLY)



INSIONAL MODEL
NTS

| | MM | IN | MM | IN | MM | IN |
|------|------|------|------|-------|------|----|
| 1.57 | .052 | 3.18 | .125 | 19.05 | .750 | |
| 0.64 | .025 | 2.79 | .110 | 7.75 | .305 | |
| 0.25 | .010 | 2.67 | .105 | 5.16 | .203 | |
| 0.13 | .005 | 2.13 | .084 | 5.08 | .200 | |
| | | MM | | IN | | |

CONVERSION TABLE

METRIC

FOR INFORMATION ONLY
THIS DRAWING IS A TECHNICAL DRAWING
AND IS NOT TO BE USED FOR CONSTRUCTION
OR MANUFACTURE OF PARTS.

| | | |
|---|---|--|
| DO NOT SCALE PRINT. DIMENSIONS SPECIFIED UNLESS OTHERWISE NOTED. DIMENSIONS IN PARENTHESES IN INCHES 2 P.L.C. DEC. = 0.125 3 P.L.C. DEC. = 0.1875 4 P.L.C. DEC. = 0.25 5 P.L.C. DEC. = 0.3125 6 P.L.C. DEC. = 0.375 7 P.L.C. DEC. = 0.4375 8 P.L.C. DEC. = 0.50 9 P.L.C. DEC. = 0.5625 10 P.L.C. DEC. = 0.625 11 P.L.C. DEC. = 0.6875 12 P.L.C. DEC. = 0.75 13 P.L.C. DEC. = 0.8125 14 P.L.C. DEC. = 0.875 15 P.L.C. DEC. = 0.9375 16 P.L.C. DEC. = 1.00 17 P.L.C. DEC. = 1.0625 18 P.L.C. DEC. = 1.125 19 P.L.C. DEC. = 1.1875 20 P.L.C. DEC. = 1.25 21 P.L.C. DEC. = 1.3125 22 P.L.C. DEC. = 1.375 23 P.L.C. DEC. = 1.4375 24 P.L.C. DEC. = 1.50 25 P.L.C. DEC. = 1.5625 26 P.L.C. DEC. = 1.625 27 P.L.C. DEC. = 1.6875 28 P.L.C. DEC. = 1.75 29 P.L.C. DEC. = 1.8125 30 P.L.C. DEC. = 1.875 31 P.L.C. DEC. = 1.9375 32 P.L.C. DEC. = 2.00 | DR 2-15-84 K. WILKINS R. SMITH APP'D 2-17-84 C. CLASH PRODUCT SPEC | NAME AMP AMP Incorporated Harrisburg, PA |
| FINISH NYLON UL 94V-2 NATURAL | APPLICATOR SPEC | PLUG, 1 CIRCUIT .062 PIN AND 50 |
| SCALE 5:1 | SIZE D | DATE CODE 00779 |
| | | QUANTITY NO. C-770278 |

CUSTOMER