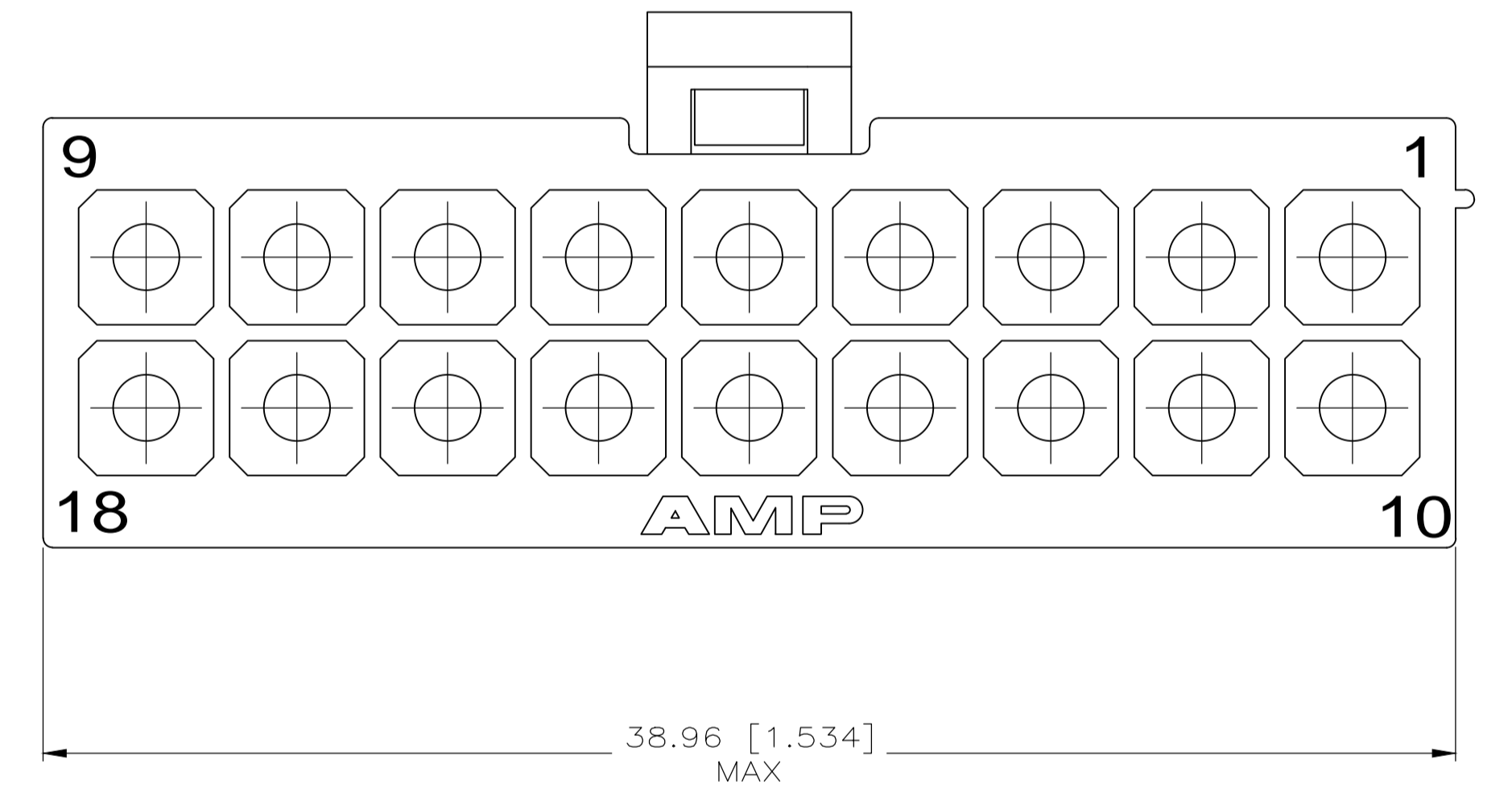
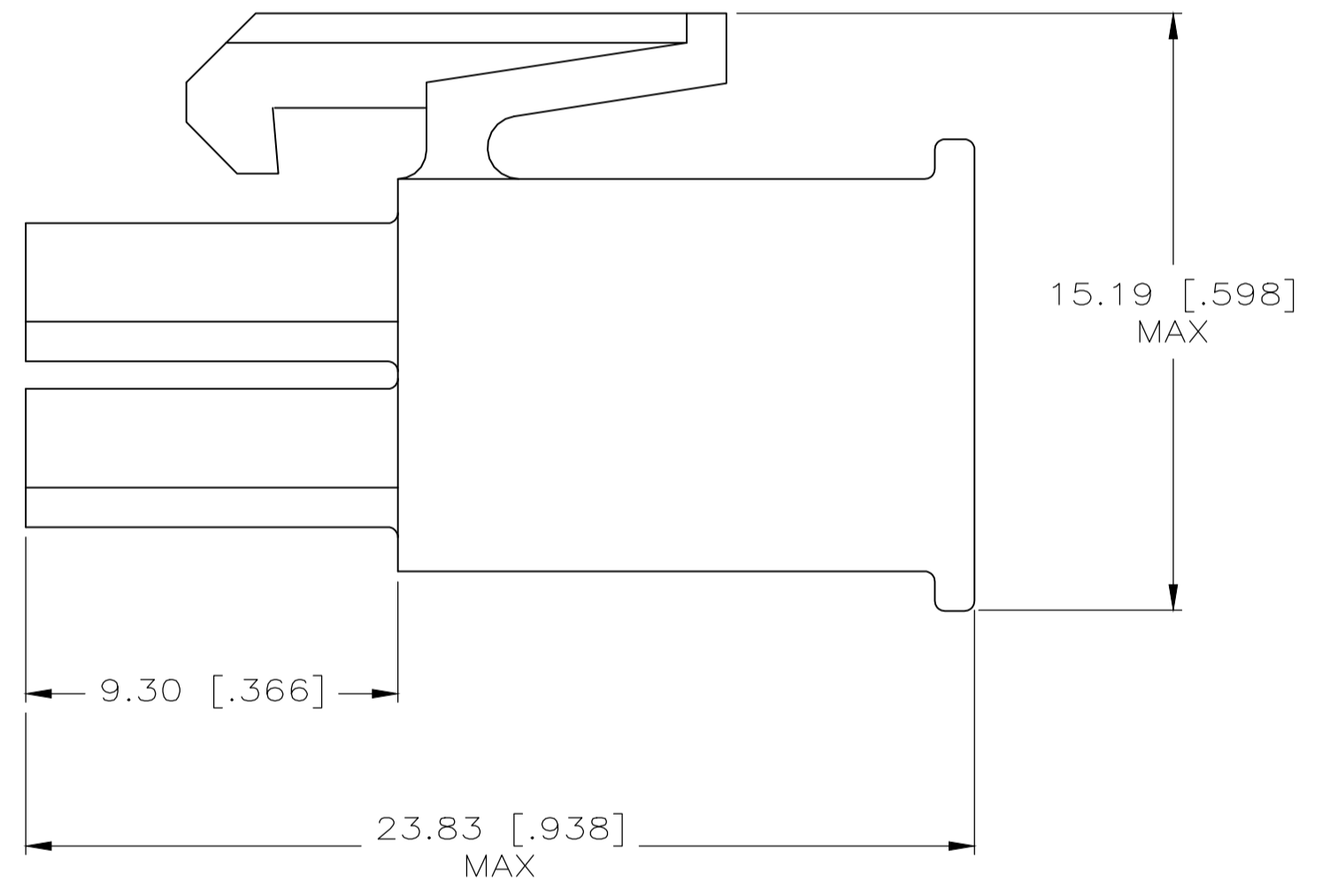
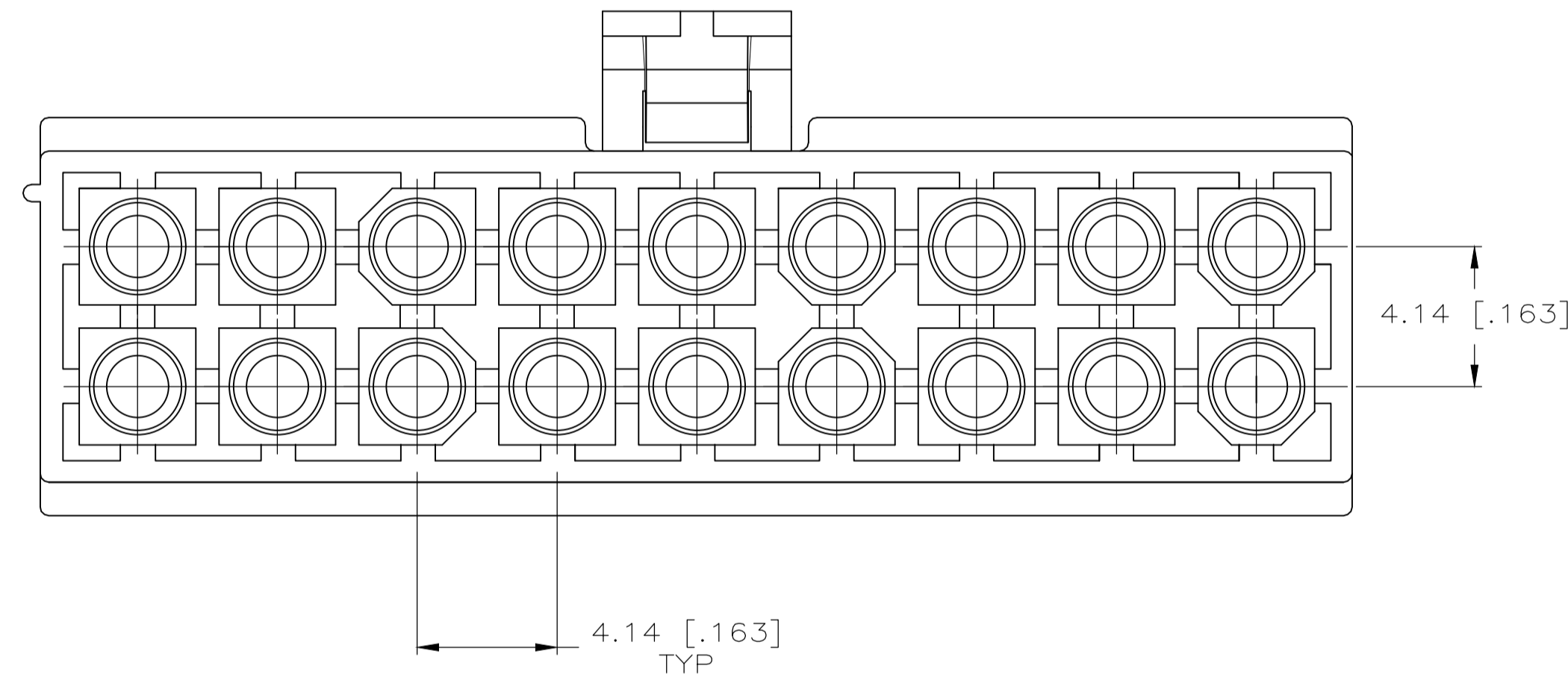


1. INDIVIDUAL CORING FEATURES AROUND BASES OF SILOS MAY NOT BE PRESENT IN ALL LOCATIONS SHOWN.



770584-1  
PART NUMBER

THIS DRAWING IS A CONTROLLED DOCUMENT.		DIN S. HOOVER 12-MAY-2004	TE Connectivity
DIMENSIONS: mm [INCHES]		CHK C. JONES 12-MAY-2004	
TOLERANCES UNLESS OTHERWISE SPECIFIED: 0 PLC ± 1 PLC ± 2 PLC ± 3 PLC ± 0.13 [.005] 4 PLC ± ANGLES ± -		APVD C. JONES 12-MAY-2004	NAME PLUG, 18 CIRCUIT, MINI UNIVERSAL MATE-N-LOK™
MATERIAL NYLON, UL 94V-0 WHITE		FINISH	APPLICATION SPEC
WEIGHT		SIZE A1	CAGE CODE 00779
CUSTOMER DRAWING		DRAWING NO 770584	RESTRICTED TO
SCALE 6:1		SHEET 1 OF 1	REV G1