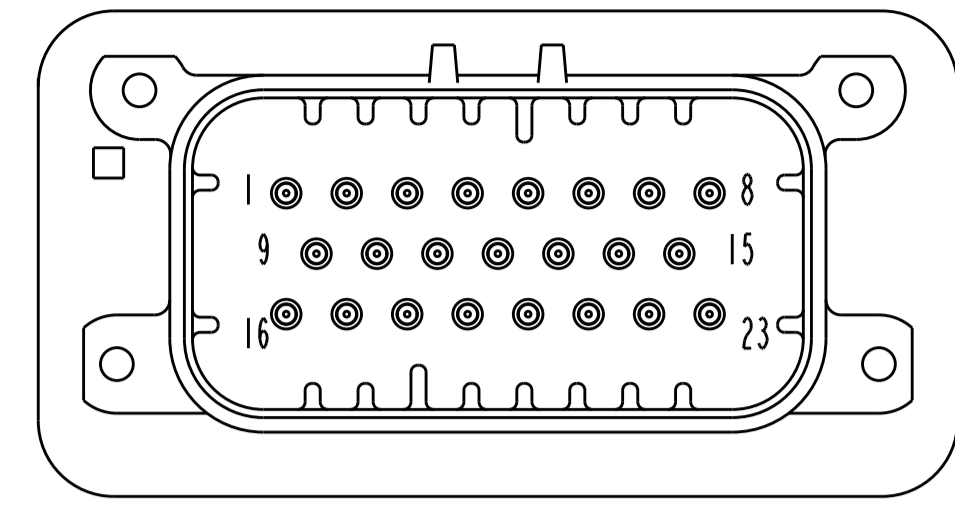
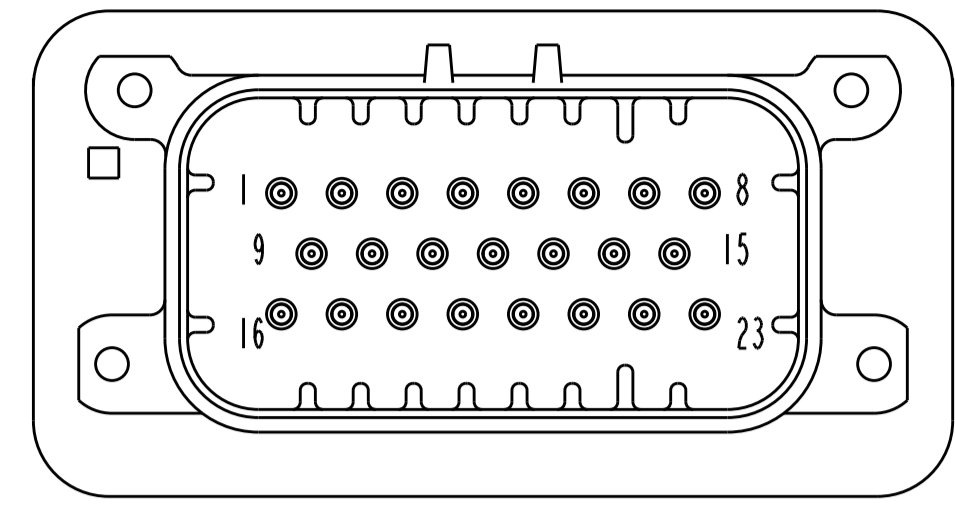


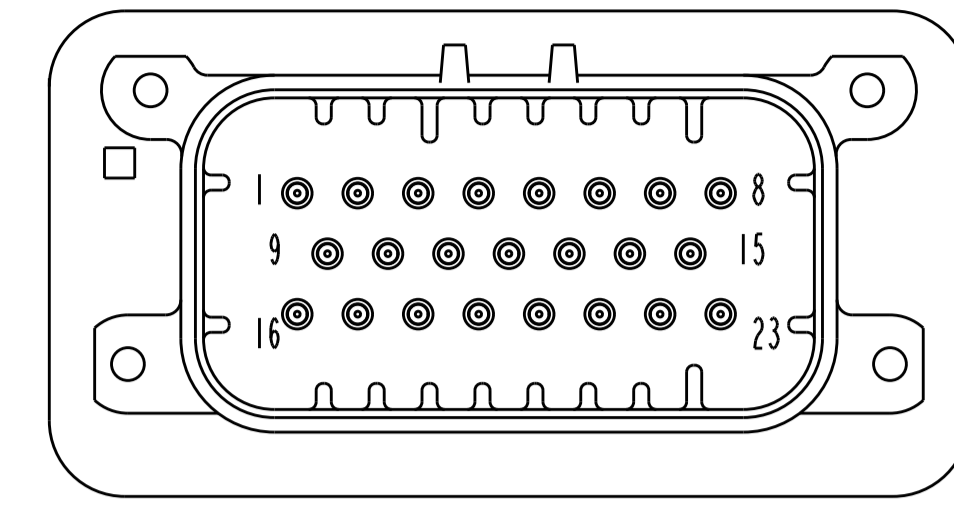
REVISIONS				
P.	LTN	DESCRIPTION	DATE	APVD
K12		REVISED PER ECO-19-009419	20JUN2019	DS DS
K13		REVISED PER ECO-20-004256	26MAR2020	JM DS



770669-2 & 1-770669-2
 KEY LOCATION
 SCALE 2:1

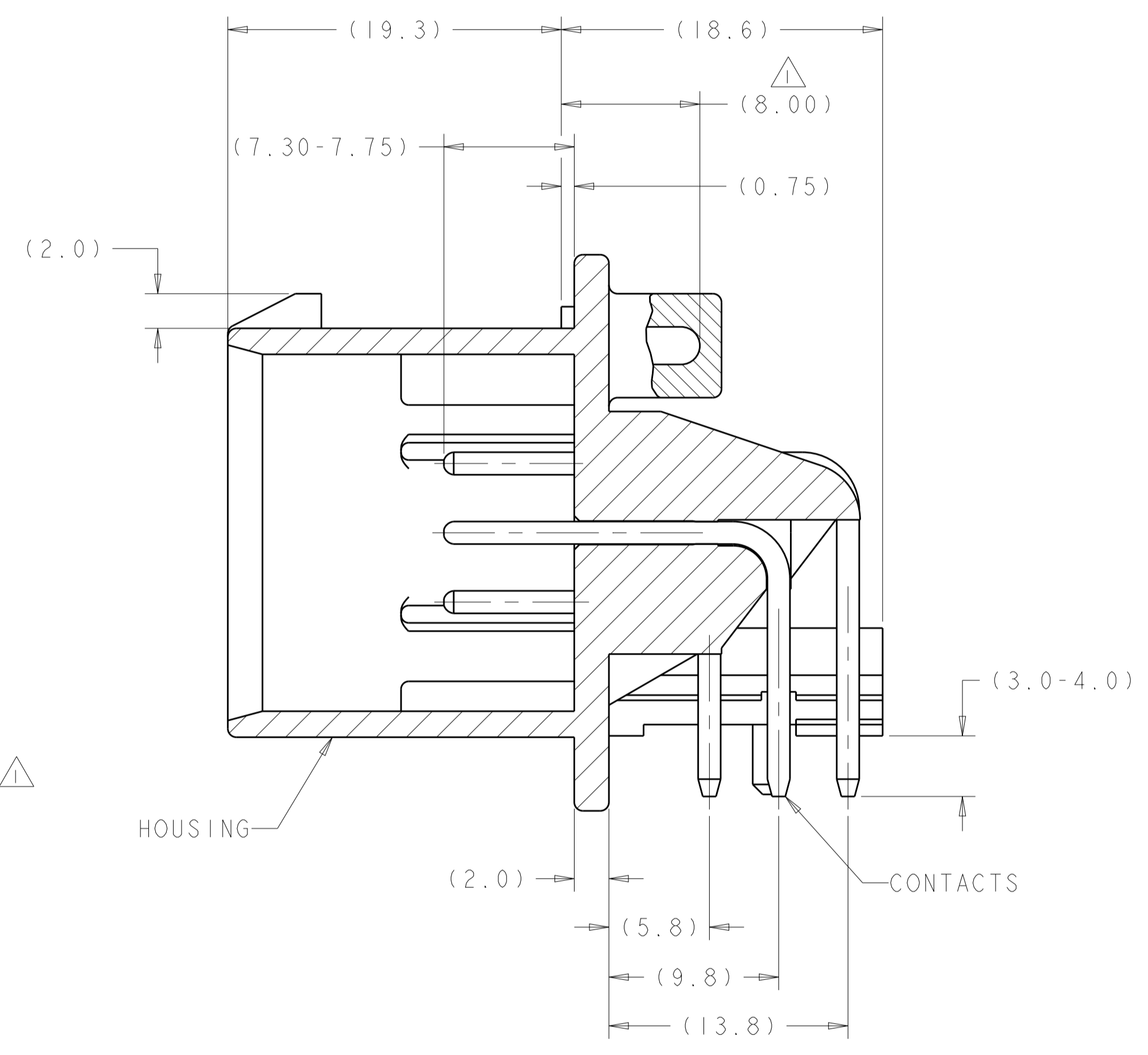
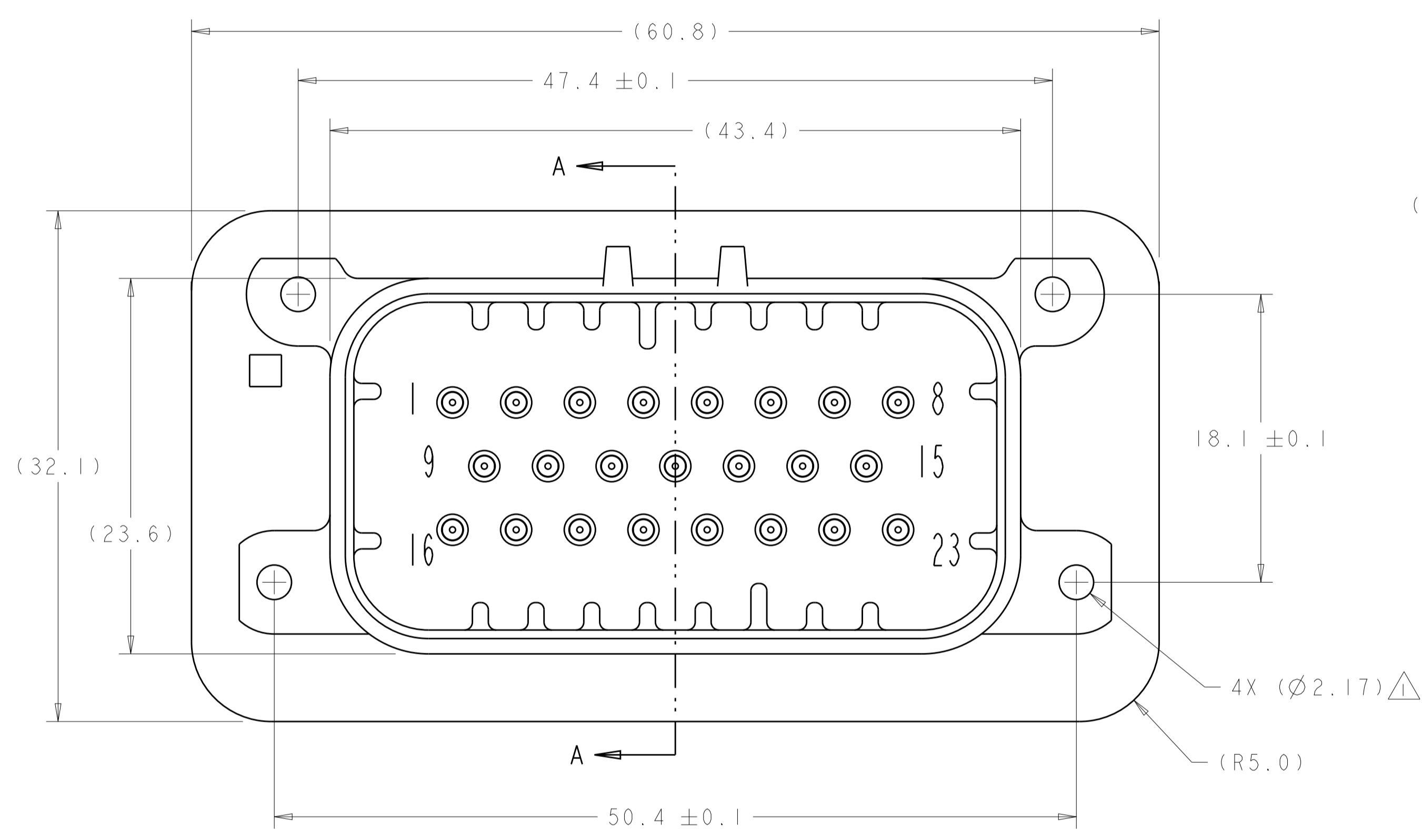


770669-4 & 1-770669-4
 KEY LOCATION
 SCALE 2:1

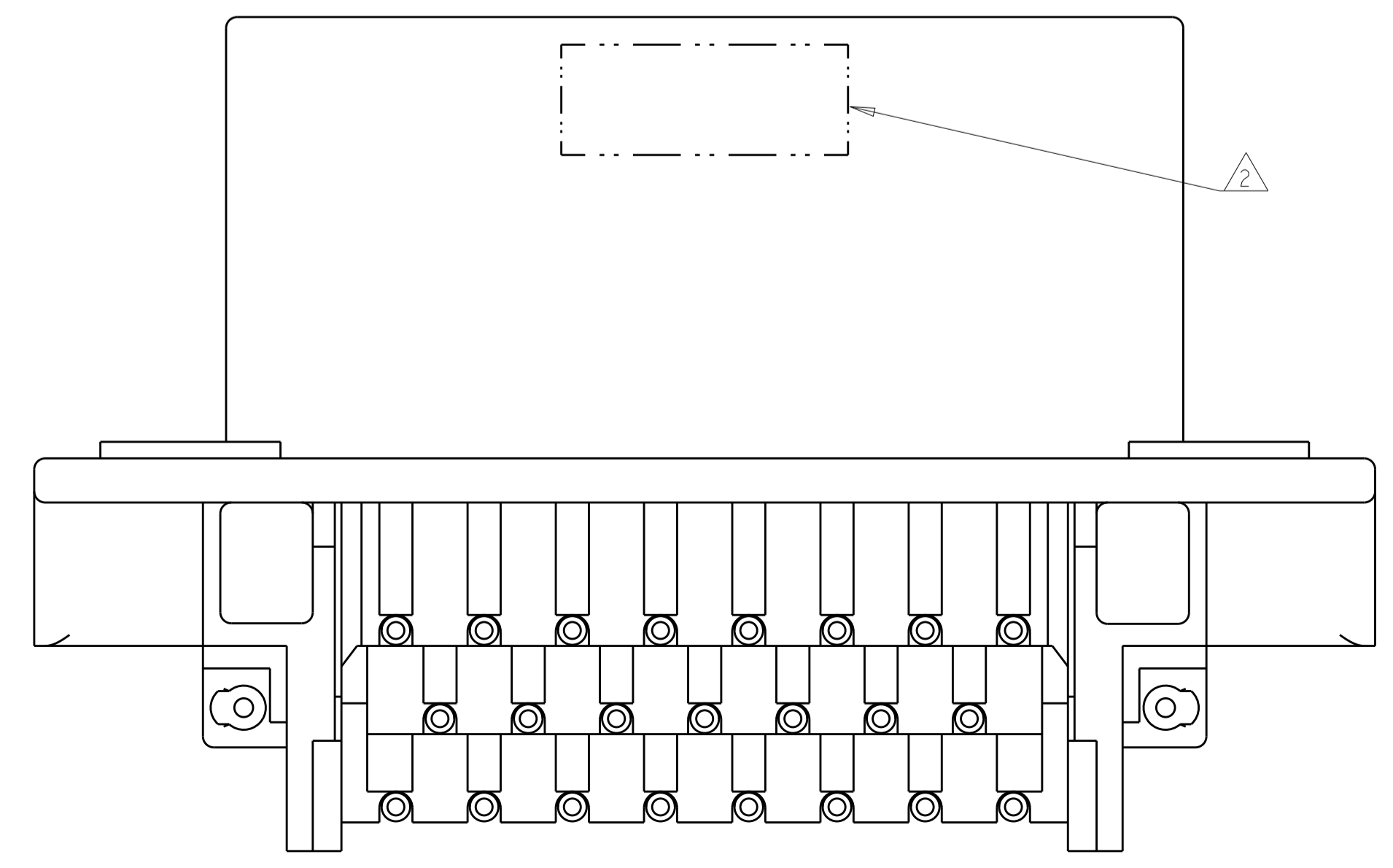


770669-5 & 1-770669-5
 KEY LOCATION
 SCALE 2:1

- 1. SUGGESTED MOUNTING SCREW SIZE IS $\varnothing 2.50-3.00\text{mm}$ [$\varnothing 0.099 - 0.118$ INCH] SELF TAPPING THREAD FORMING SCREW, SUCH AS DELTA PT, TO BE DRIVEN AT 0.6-0.8 N-m. THE CUSTOMER SHOULD TEST THE SCREW SIZE AND TYPE IN ORDER TO VERIFY THEIR SELECTION FOR THEIR APPLICATION
- 2. DATE CODE TO BE BRANDED IN THIS LOCATION PER TE SPEC 102-60. USE 5 DIGIT CODE: FIRST 2 DIGITS = YEAR, SECOND 2 DIGITS = WEEK, LAST DIGIT = DAY
- 3. HOUSING COLORS ARE MECHANICALLY KEYS TO MATE ONLY WITH IDENTICALLY COLORED PLUG ASSEMBLIES
- 4. MATERIALS: HEADER HOUSING - GLASS FILLED PBT
 PINS: TIN OR GOLD PLATED BRASS
- 5. HEADER MATES TO PLUG ASSEMBLY 770680 WHICH USES REELED TERMINALS 770520 OR LOOSE PIECE TERMINALS 770854



SECTION A-A

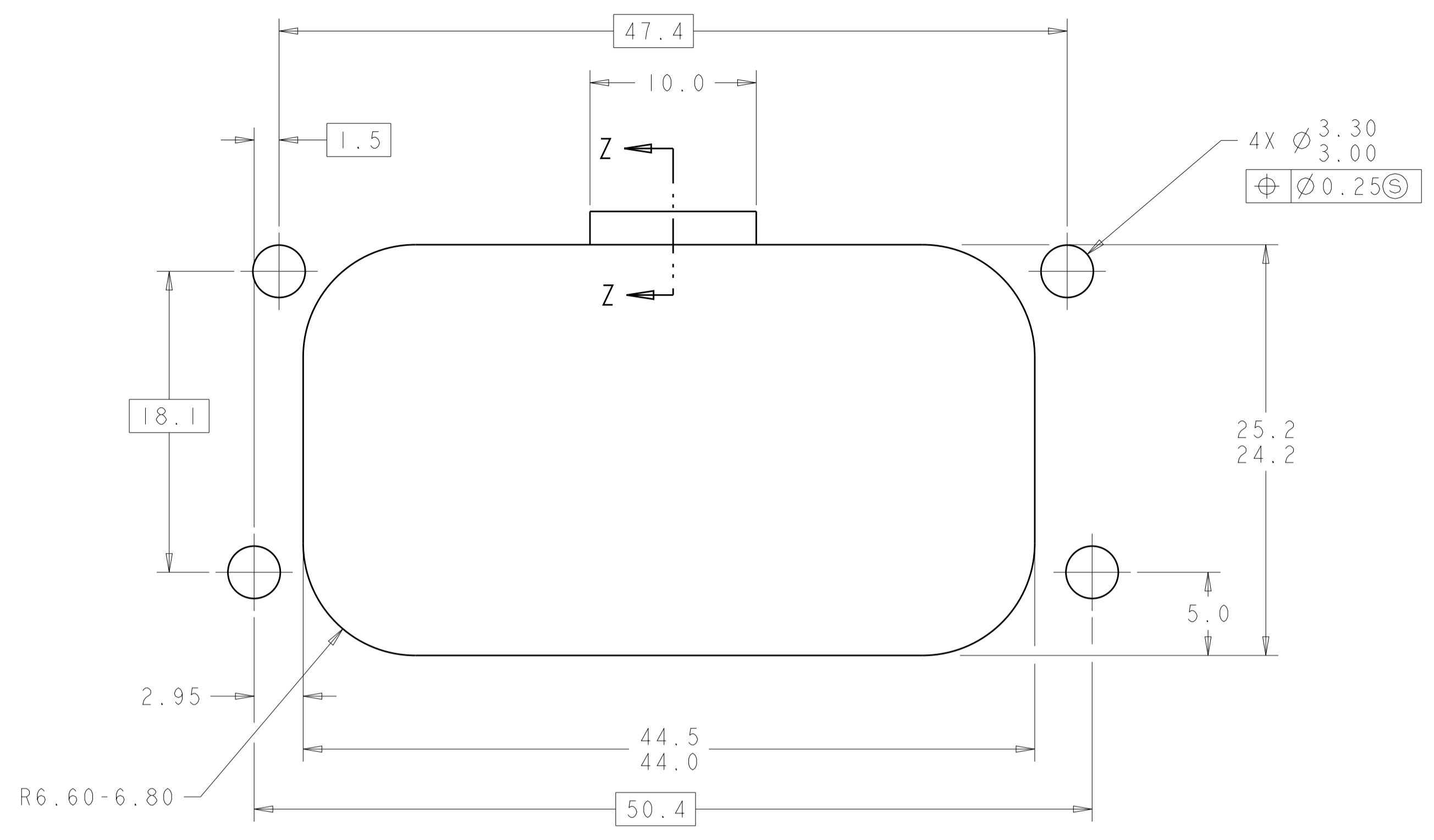


770669-1 & 1-770669-1
 KEY LOCATION AS SHOWN

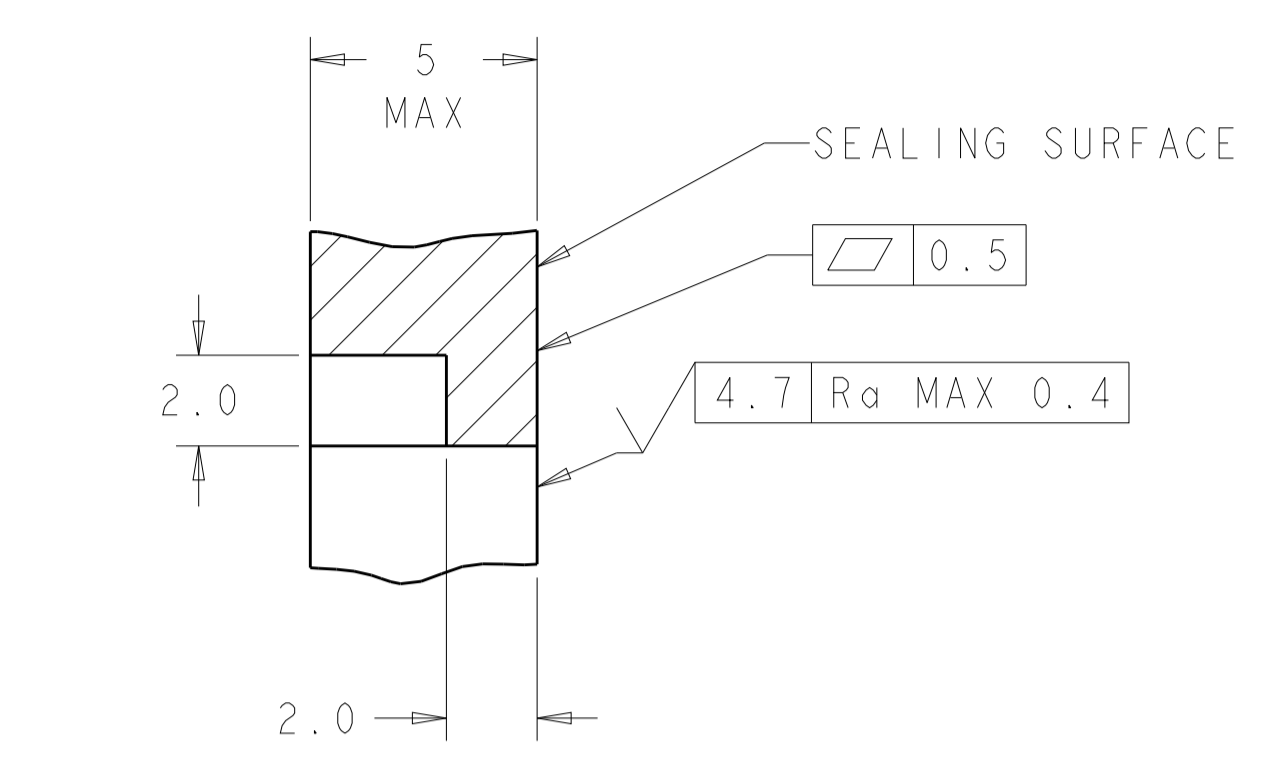
GOLD	BLUE	1-770669-5
GOLD	GRAY	1-770669-4
GOLD	NATURAL	1-770669-2
GOLD	BLACK	1-770669-1
TIN	BLUE	770669-5
TIN	GRAY	770669-4
TIN	NATURAL	770669-2
TIN	BLACK	770669-1
PLATING	HEADER COLOR/3	PART NUMBER

THIS DRAWING IS A CONTROLLED DOCUMENT.		OWN: R. VESTAL 31DEC2002	
DIMENSIONS: mm		CHK: D. CROWE 31DEC2002	
TOLERANCES UNLESS OTHERWISE SPECIFIED:		APVD: D. CROWE 31DEC2002	NAME: HEADER ASSEMBLY, 23 POSITION, RIGHT ANGLE AMPSEAL
0 PLC ±0.2		PRODUCT SPEC: 108-1329	
1 PLC ±0.2		APPLICATION SPEC: 114-16016	SIZE: A100779 C=770669
2 PLC ±0.2		WEIGHT: 28.74g	
3 PLC ±0.2		CUSTOMER DRAWING	RESTRICTED TO: -
4 PLC ±0.2		SCALE: 2:1	SHEET: 1 OF 2
ANGLES ±0.1		REV: K13	

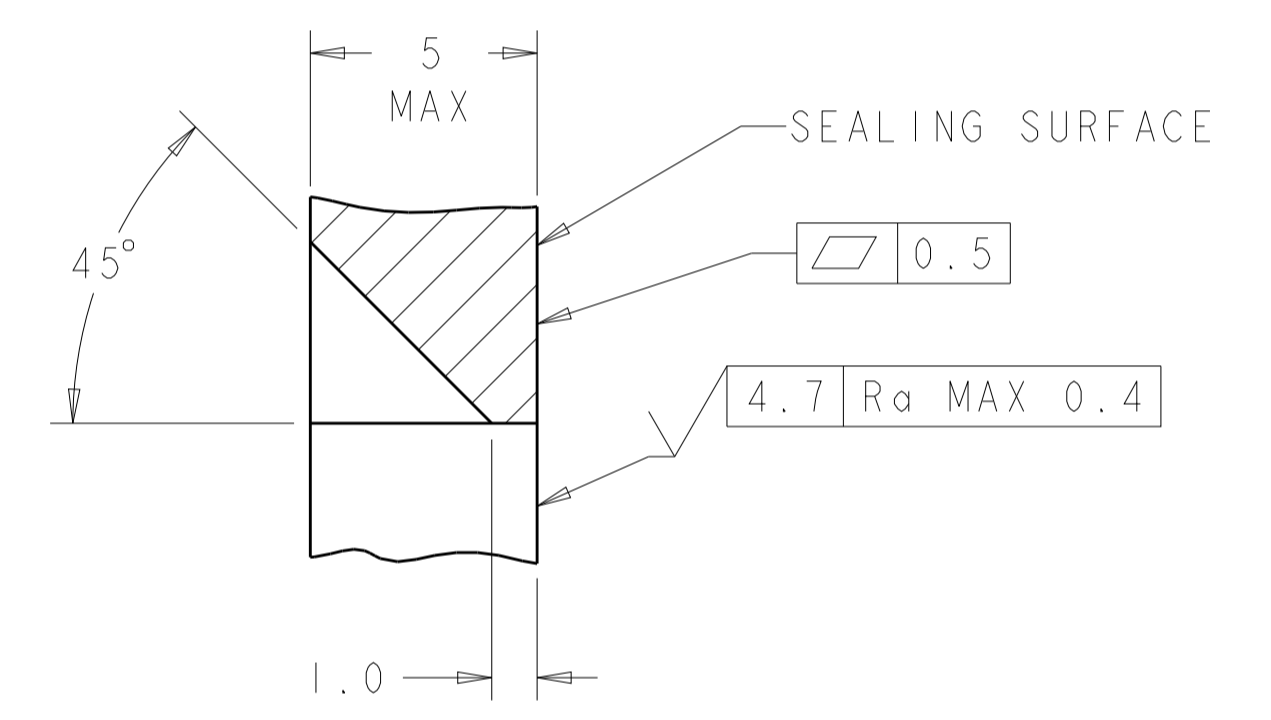
REVISIONS				
P.	LTH	DESCRIPTION	DATE	APVD
-	-	SEE SHEET 1	-	-



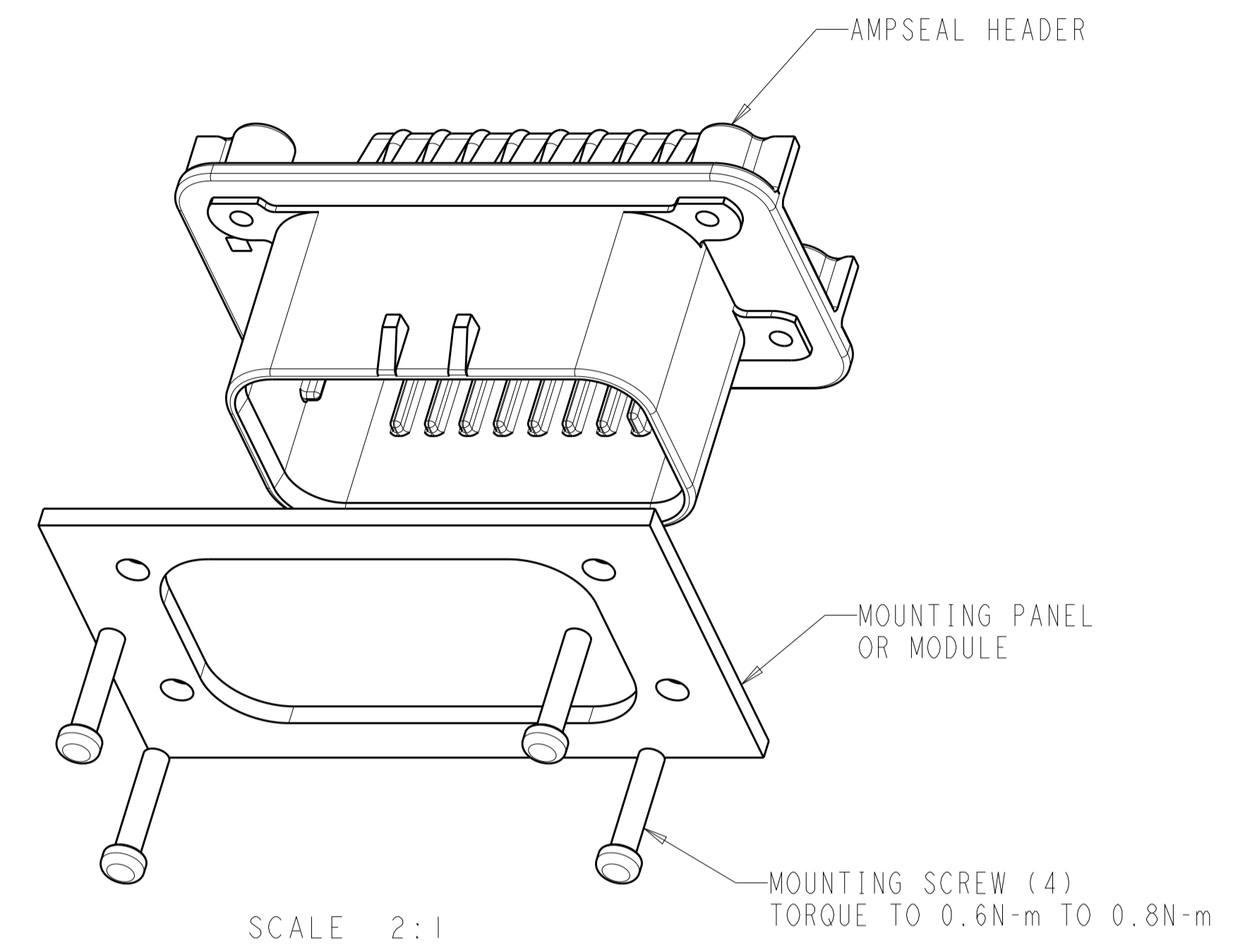
RECOMMENDED MOUNTING HOLE LAYOUT FOR 5.0 MAX THICK PANEL



SECTION Z-Z
 OPTIONAL CONSTRUCTION IF THICKNESS IS GREATER THAN 2.0
 SCALE 6:1

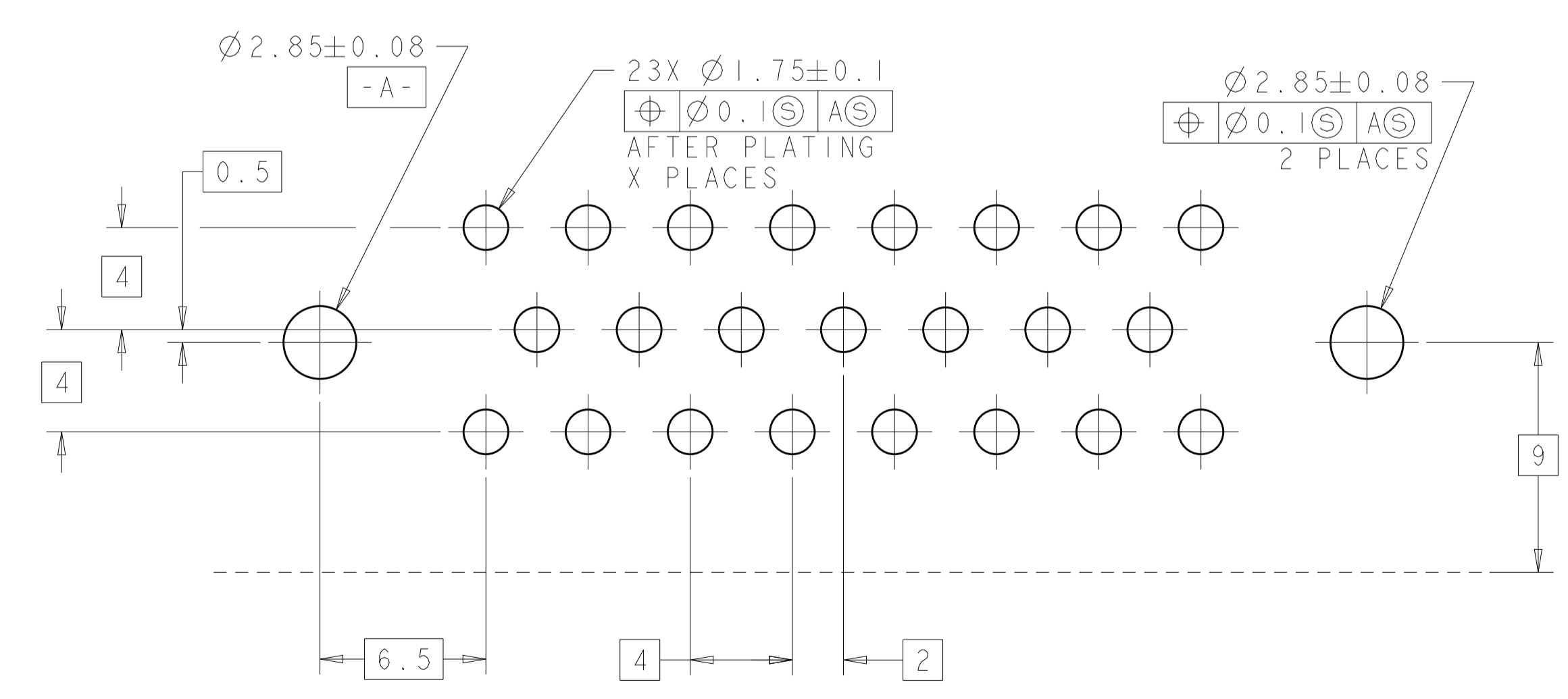


SECTION Z-Z
 OPTIONAL CONSTRUCTION IF THICKNESS IS GREATER THAN 2.0
 SCALE 6:1

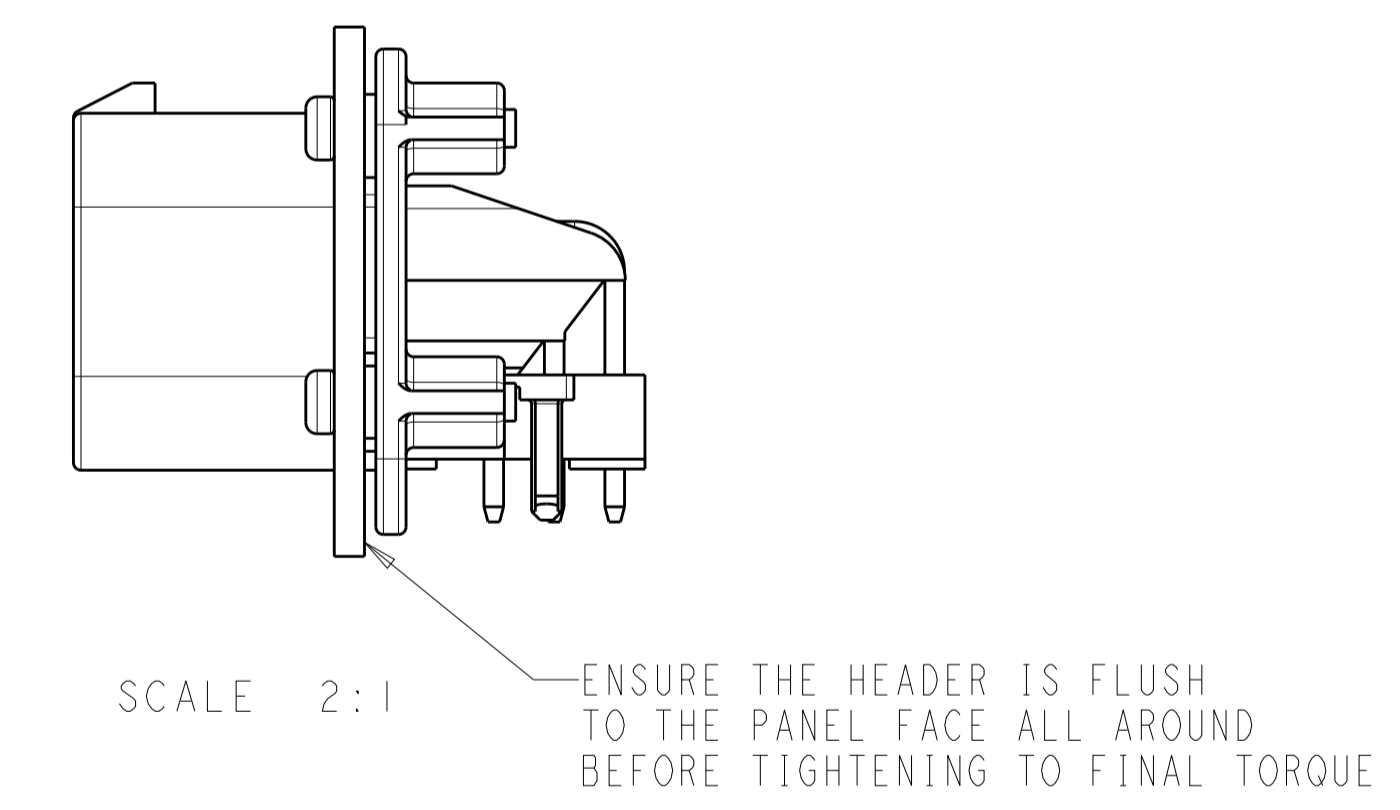


SCALE 2:1

MOUNTING SCREW (4)
 TORQUE TO 0.6N-m TO 0.8N-m



RECOMMENDED P.C. BOARD LAYOUT FOR 1.57 THICK P.C. BOARD



SCALE 2:1

ENSURE THE HEADER IS FLUSH TO THE PANEL FACE ALL AROUND BEFORE TIGHTENING TO FINAL TORQUE

THIS DRAWING IS A CONTROLLED DOCUMENT.		DWN: R. VESTAL 31DEC2002	TE Connectivity
DIMENSIONS: mm		CHK: D. CROWE 31DEC2002	
TOLERANCES UNLESS OTHERWISE SPECIFIED:		APVD: D. CROWE 31DEC2002	NAME: HEADER ASSEMBLY, 23 POSITION, RIGHT ANGLE AMPSEAL
0 PLC	±	PRODUCT SPEC	SIZE: CAGE CODE DRAWING NO
1 PLC	±0.2	108-1329	RESTRICTED TO
2 PLC	±	APPLICATION SPEC	A100779C=770669
3 PLC	±	114-16016	SCALE 2:1 SHEET 2 OF 2 REV K13
4 PLC	±	WEIGHT 28.74g	
ANGLES	±	CUSTOMER DRAWING	
FINISH	±		