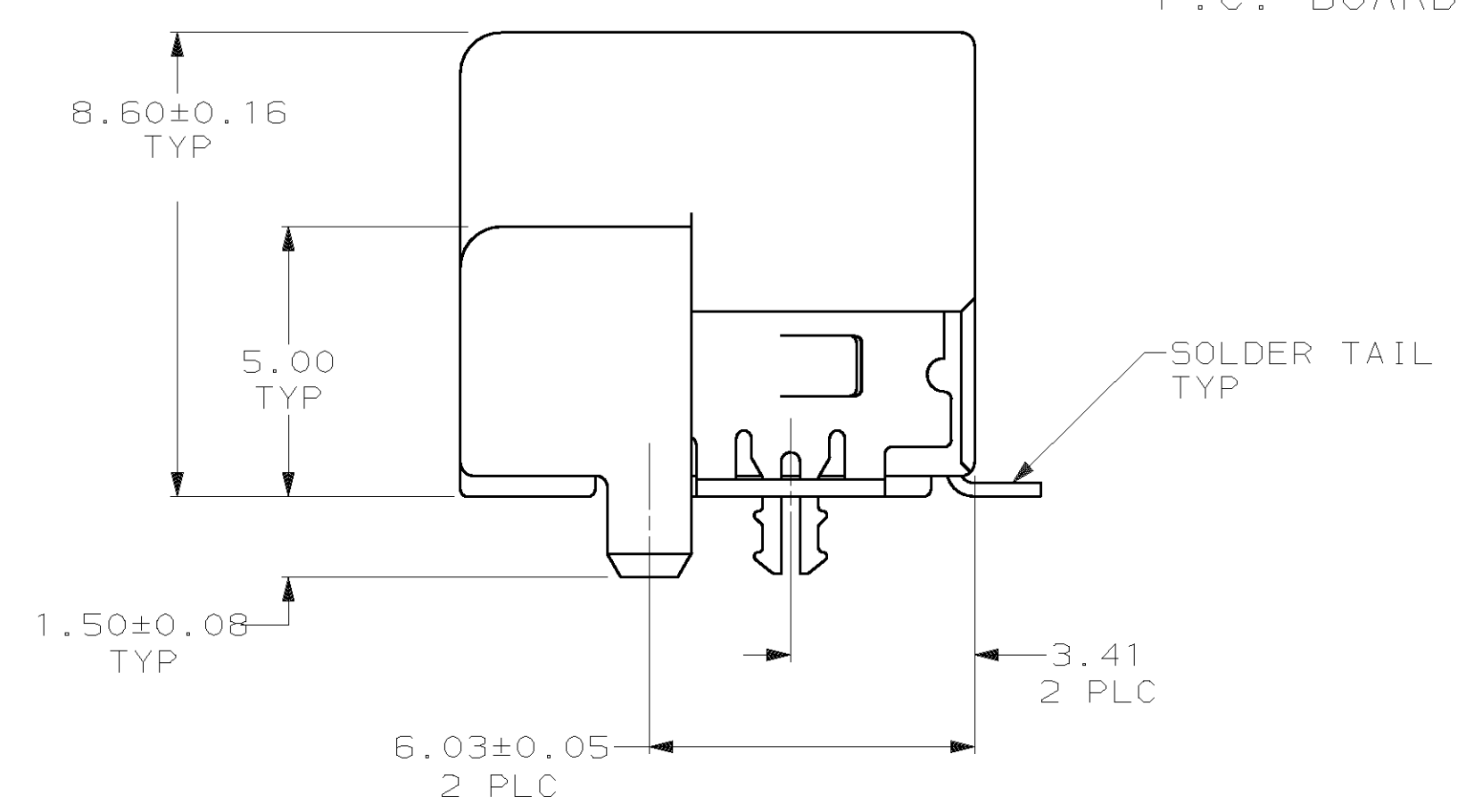
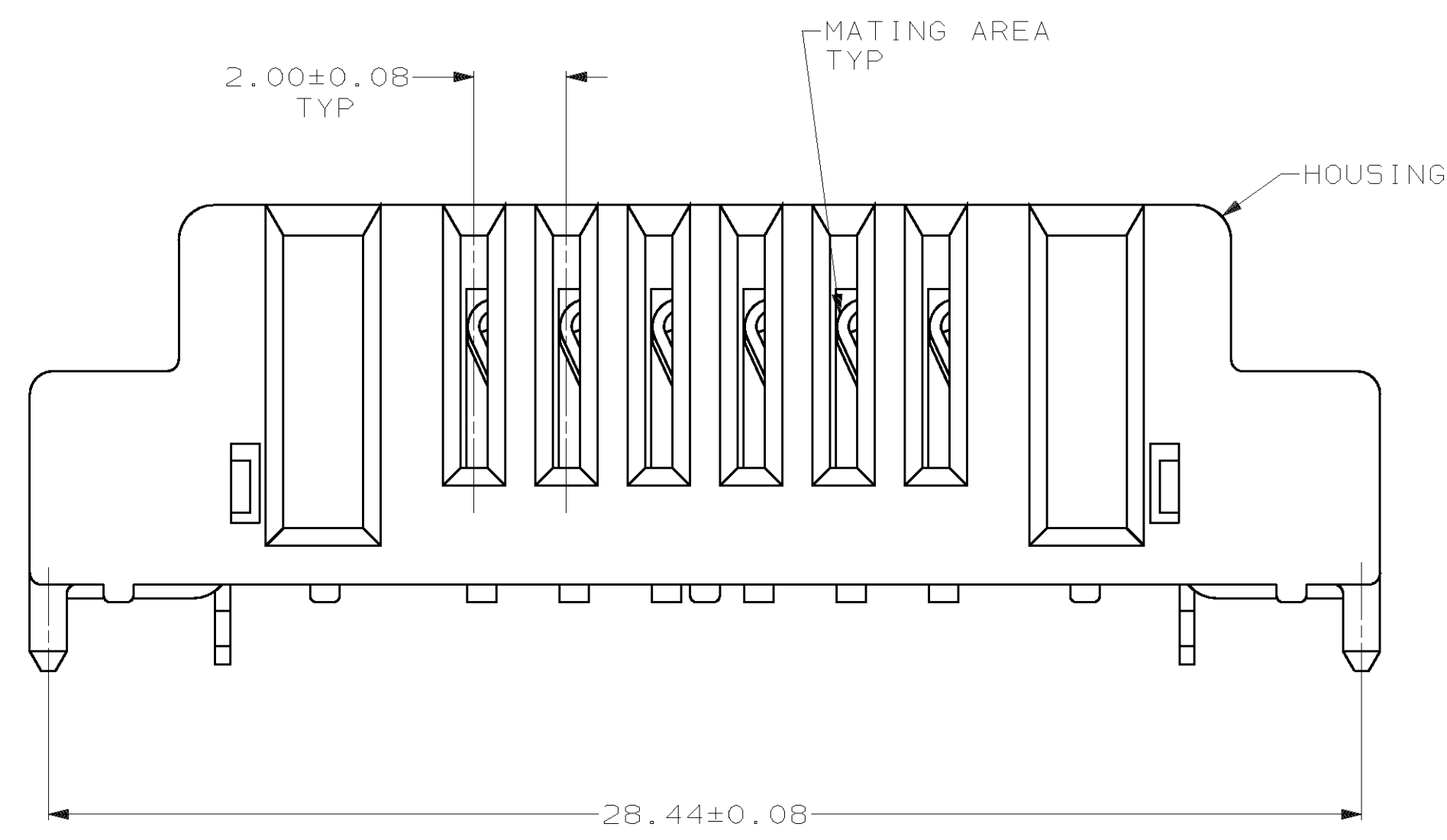
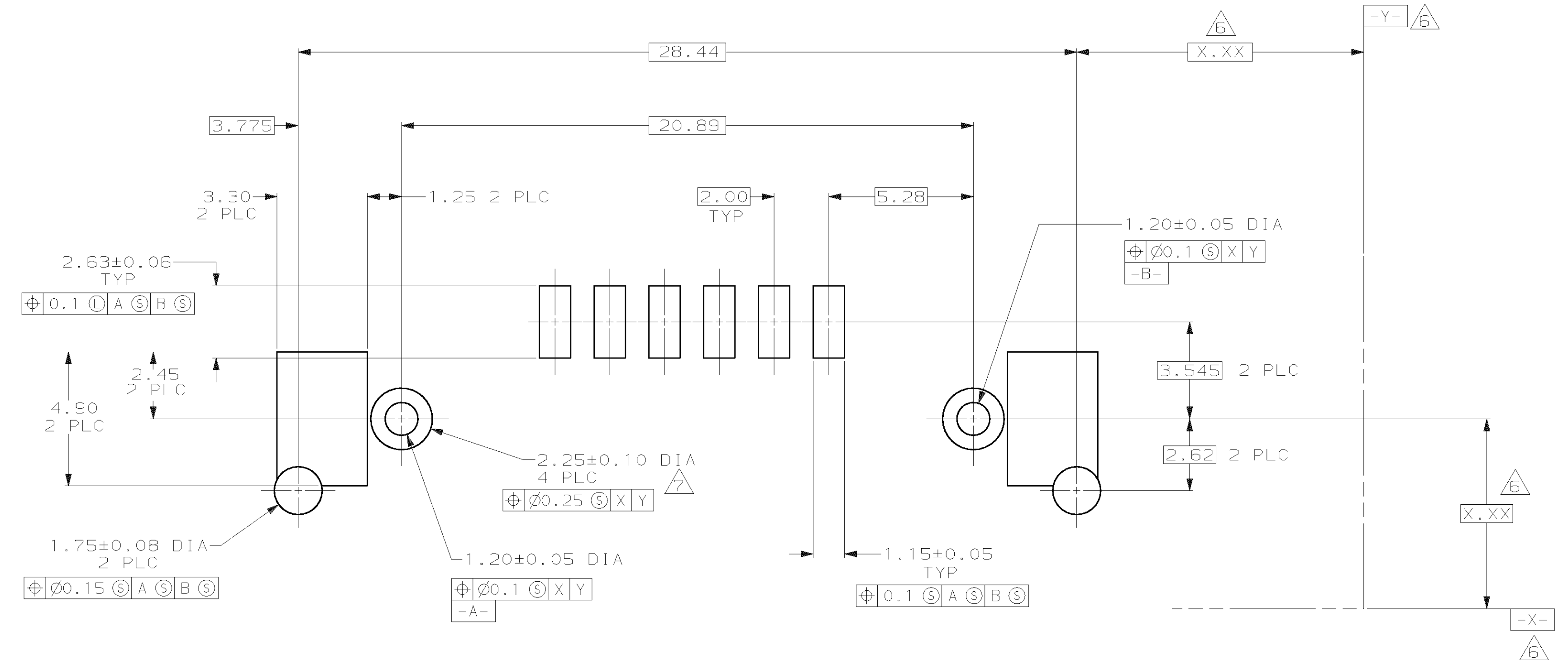
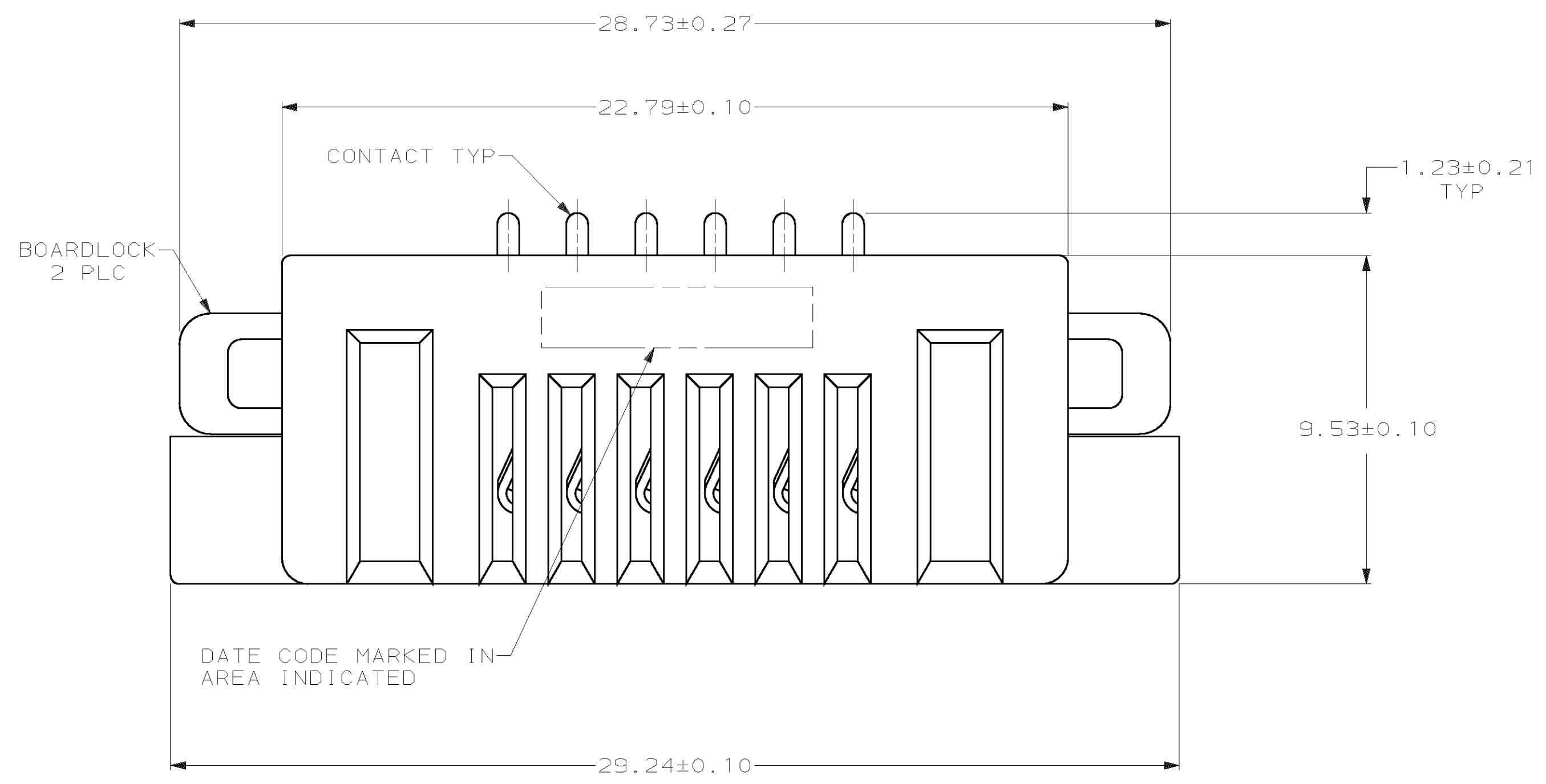


LOC	DIST	P	F	ZONE	LTR	REVISIONS	DESCRIPTION	DATE	APPD
AR	0					D	REACTIVATED PER EC 0G1C-34-98	01 APR 98	DW
						E	REV PER EC 0G1C-0036-99	29 MAR 99	KD
						F	REV PER EC 0G1C-0056-99	30 MAR 99	KD



- ① LCP, UL 94V-0 RATED, BLACK.
- ② PHOSPHOR BRONZE.
- ③ BRASS.
- ④ .076µm MINIMUM GOLD OVER 0.76µm MINIMUM PALLADIUM NICKEL ON MATING AREA, 3.80µm MINIMUM TIN-LEAD ON SOLDER TAIL, ALL OVER 1.27 µm MINIMUM NICKEL.
- ⑤ 3.05µm MIN TIN-LEAD OVER 1.27µm MIN NICKEL.
- ⑥ DATUMS AND BASIC DIMENSIONS ESTABLISHED BY CUSTOMER.
- ⑦ SOLDER PADS REQUIRED ON TOP AND BOTTOM OF PC BOARD.

THIS DRAWING IS A CONTROLLED DOCUMENT FOR AMP INCORPORATED. IT IS SUBJECT TO CHANGE AND THE CONTROLLING ENGINEERING ORGANIZATION SHOULD BE CONTACTED FOR THE LATEST REVISION.

DO NOT SCALE PRINT. UNLESS SPECIFIED DIMENSIONS IN mm TOLERANCES ON: 2 PLC DEC ± 0.13 3 PLC DEC ± - ANGLES ± -		DR 02/10/94 W.G.LENKER		787090-1 PART NO	
MATERIAL HOUSING = ① ② CONTACTS = ④ BOARDLOCKS = ③		CHK 02/22/94 R.STONE		AMP Incorporated Harrisburg, PA 17105-3608	
FINISH CONTACTS = ④ BOARDLOCKS = ⑤		APPD 02/22/94 A.TRAVIS		NAME RECEPTACLE ASSEMBLY, SURFACE MOUNT, 6 POS, MDI	
APPD 02/22/94 A.TRAVIS		PRODUCT SPEC 108-1503		SIZE D CAGE CODE 00779 DRAWING NO C-787090	
APPLICATION SPEC 114-40045		WEIGHT -		SCALE 8:1 SHEET 1 OF 1	