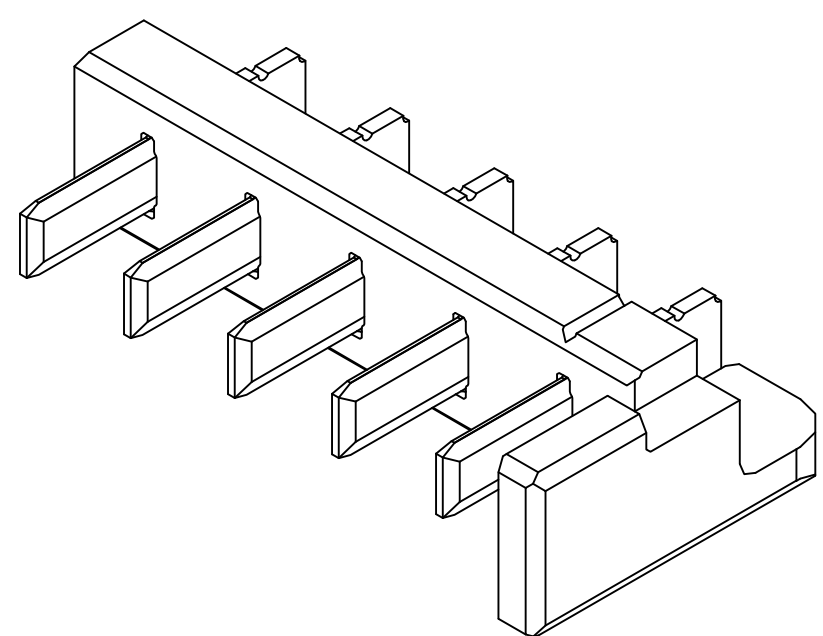
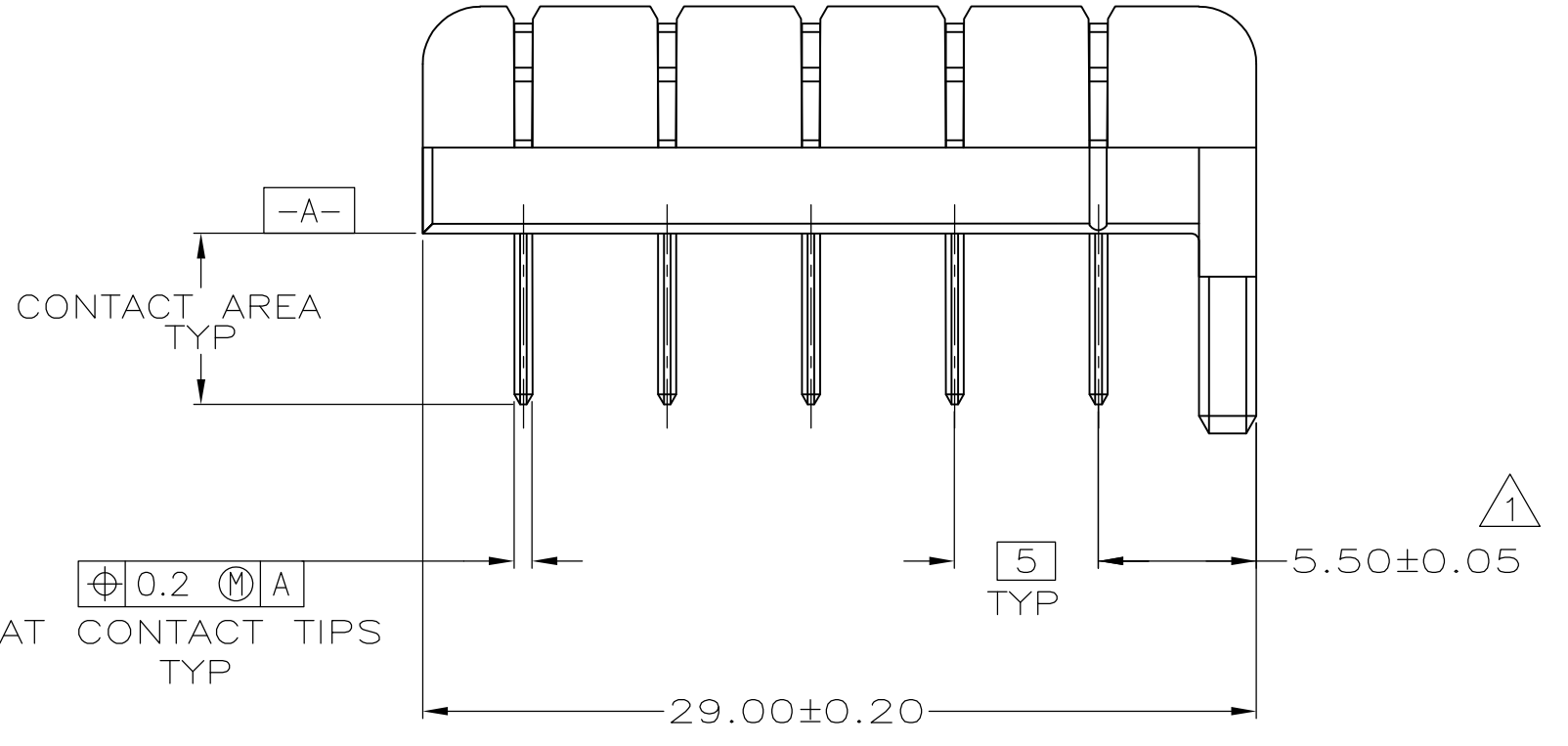
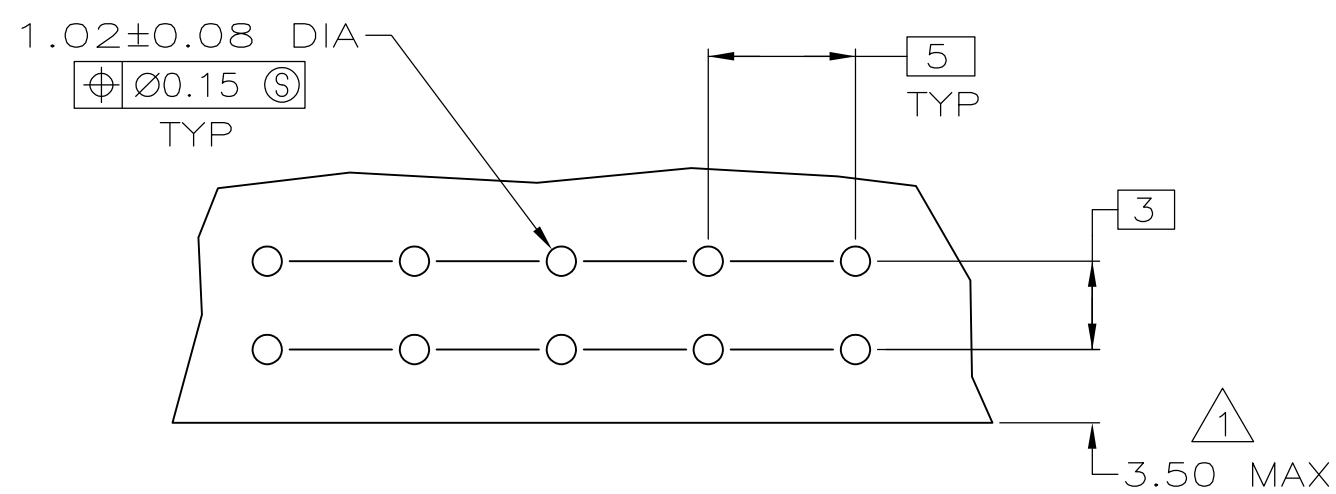
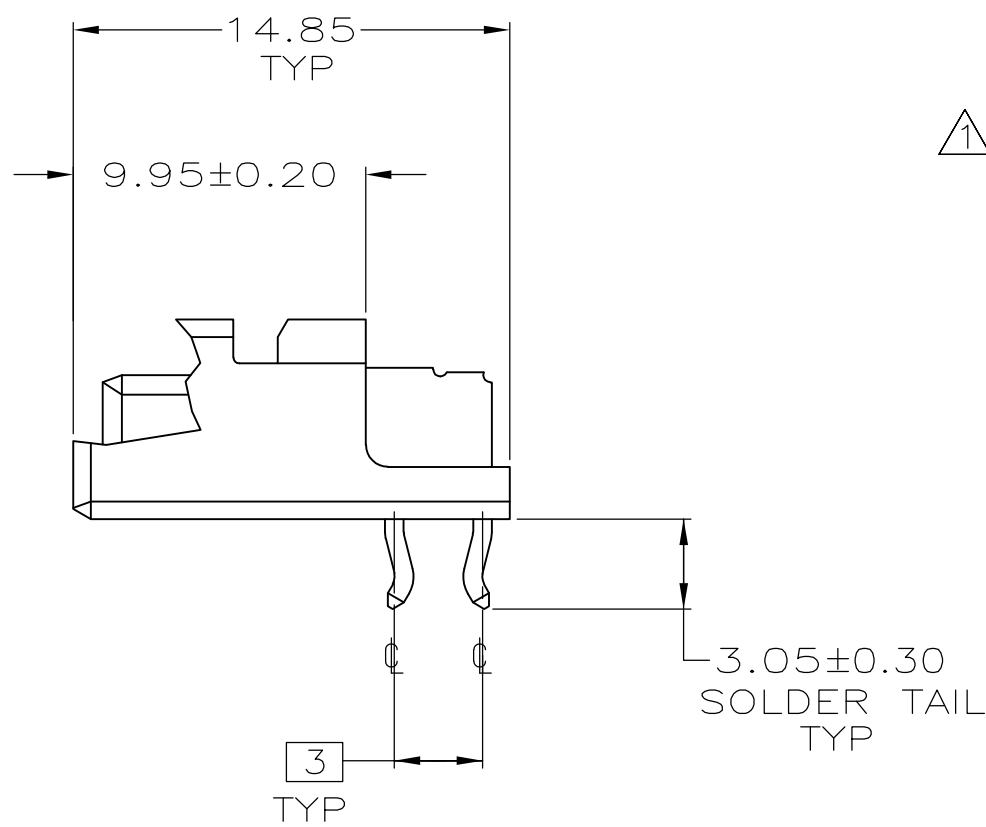
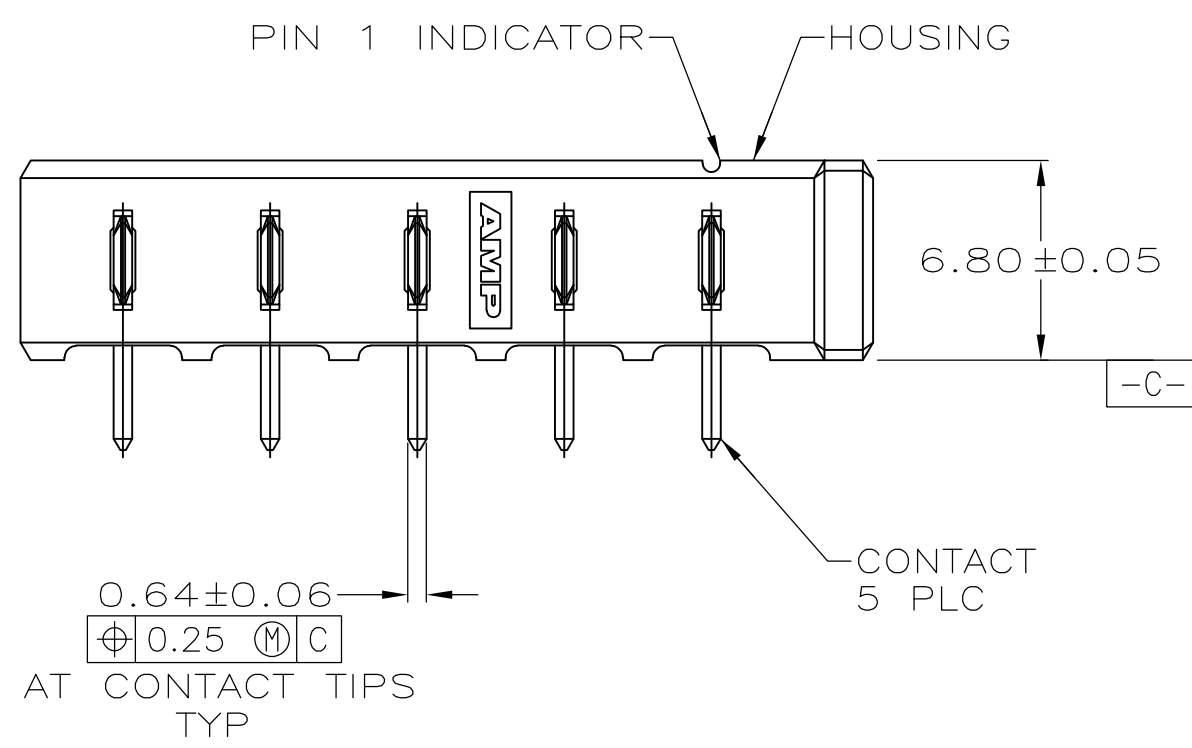


LOC	DIST	P	F	ZONE	LTR	DESCRIPTION	DATE	APPD
ES	00							
					0	RLSE -1 NPR 5055, WAS 93-1878-131-1	02/17/94	-
					A	REV PER EC0020-346-94	04/14/94	RSK
					B	REV PER EC0020-645-94	07/07/94	RSK
					D	REVISED PER ECR-10-002761	02/09/10	S.Y
					01	REVISED PER ECR-14-009533	07/07/14	JHA



△ COORDINATE DIMENSION APPLIES FROM CENTER OF ACTUAL FEATURE.



SUPERCEDED BY 5787141-1 787141-1

DO NOT SCALE PRINT. UNLESS SPECIFIED DIMENSIONS IN mm TOLERANCES ON :		DR 11/11/93 G.DOUTY		PART NO		
2 PLC DEC	± 0.10	CHK	02/17/94 S.KLINE			
3 PLC DEC	$\pm -$	APPD	02/17/94 S.KLINE			
ANGLES	$\pm -$	APPD	02/17/94 S.KLINE	NAME HEADER ASSEMBLY, RIGHT ANGLE, 5mm ϕ , 5 POSITION, SINGLE KEY, RIGHT VOLTAGE KEY, RETENTIVE SOLDER TAILS, BATTERY INTERCONNECT, 7.2 VOLT		
MATERIAL		PRODUCT SPEC	108-1501			
HOUSING: LCP, BLACK		APPLICATION SPEC	-	SIZE	CAGE CODE	DRAWING NO
CONTACTS: BRASS		WEIGHT		C	00779	C- 787141
FINISH				SCALE	4:1	SHEET
CONTACTS: 2.54 μ m MIN TIN-LEAD ON SOLDER TAIL OVER 1.90 μ m MIN NICKEL ALL OVER						1 OF 1

THIS DRAWING IS A CONTROLLED DOCUMENT FOR AMP INCORPORATED. IT IS SUBJECT TO CHANGE AND THE CONTROLLING ENGINEERING ORGANIZATION SHOULD BE CONTACTED FOR THE LATEST REVISION.