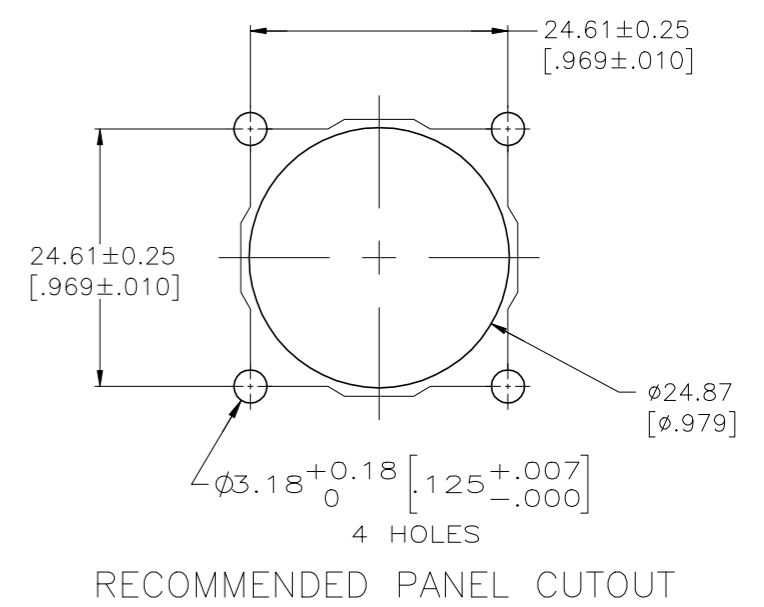
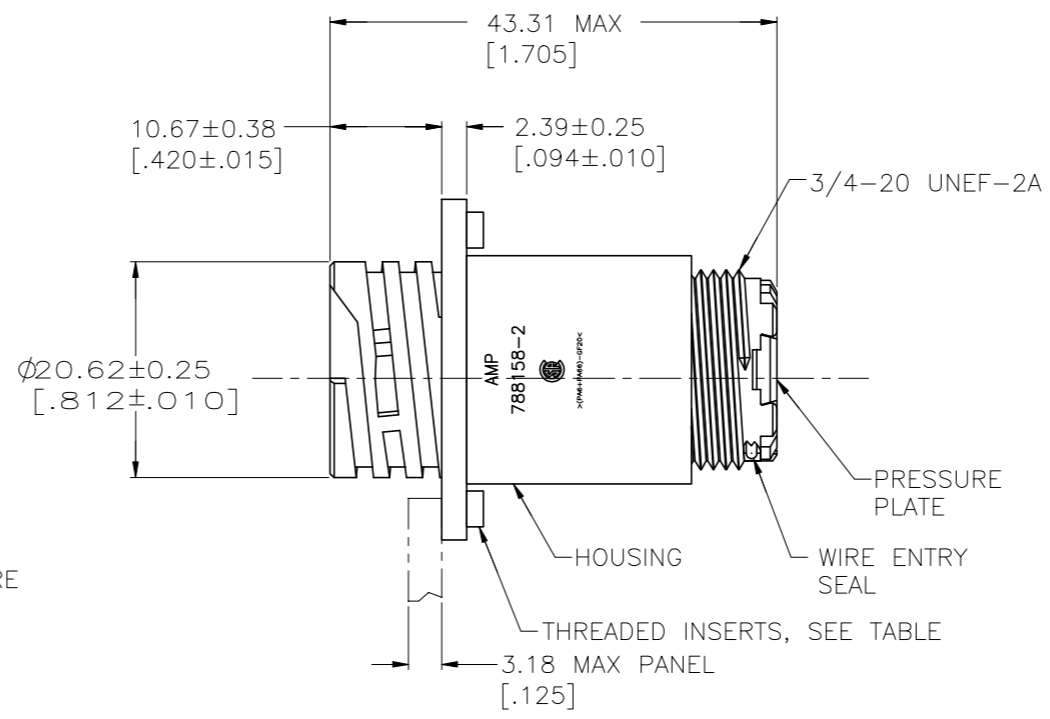
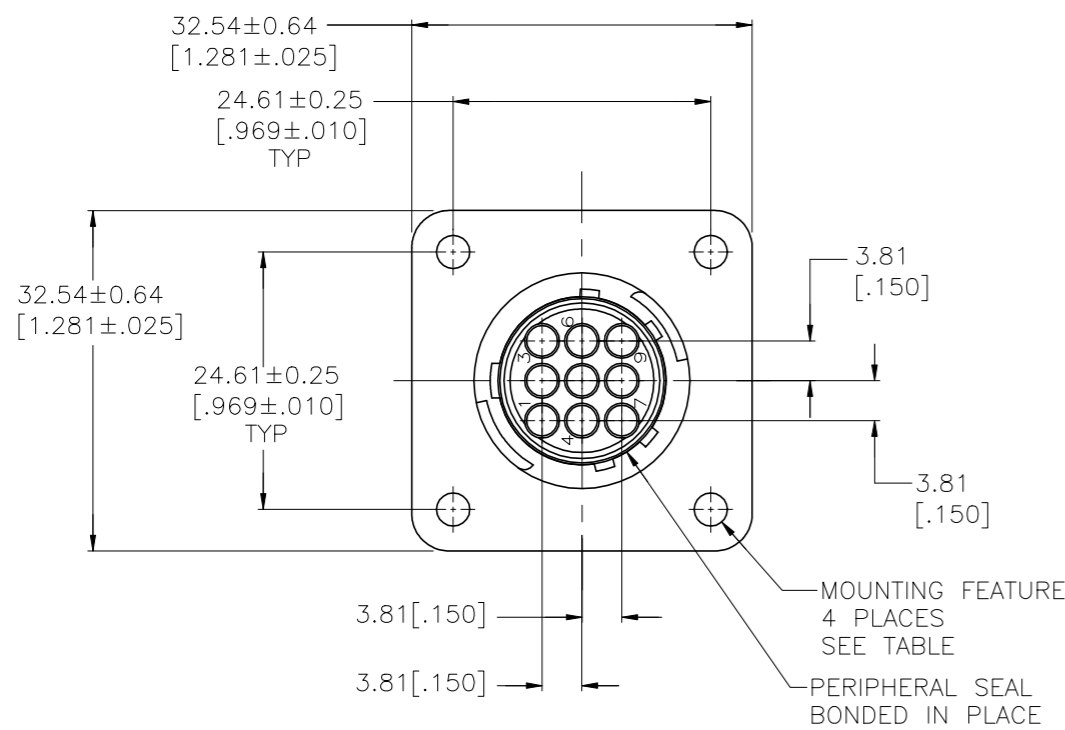


REVISIONS				
P	LTR	DESCRIPTION	DATE	APVD
C		REVISED PER ECO-16-006378	03NOV2016	RS MZ
D		REVISED PER ECO-19-011232	06AUG2019	RS MZ
E		REVISED PER ECO-19-014836	23OCT2019	RS MZ



- 1 THIS PART WILL ACCEPT NINE (9) MULTIMATE PIN CONTACTS.
- 2 HOUSING AND PRESSURE PLATE: NYLON, BLACK.
 PERIPHERAL SEAL: ELASTOMER, BLACK.
 WIRE ENTRY SEAL: ELASTOMER, RED-IRON OXIDE.
 THREADED INSERTS: BRASS.
- 3 OBSOLETE PARTS: OBSOLETE CIS STREAMLINING PER D.RENAUD/D.SINISI.

3 OBSOLETE	#4-40 THREADED INSERTS	.065-.100	STANDARD	788158-4
3 OBSOLETE	#4-40 THREADED INSERTS	.040-.080	SMALL	788158-3
3 OBSOLETE	Ø3.18 (.125) HOLES	.065-.100	STANDARD	788158-2
3 OBSOLETE	Ø3.18 (.125) HOLES	.040-.080	SMALL	788158-1
	MOUNTING FEATURE	WIRE INSULATION DIAMETER RANGE	INSULATION	PART NUMBER

THIS DRAWING IS A CONTROLLED DOCUMENT.		DWN C.DORWART 26 AUG 98	TE Connectivity	
		CHK R.WALTER 26 AUG 98		
DIMENSIONS: mm [INCHES]		APVD R.WALTER 26 AUG 98	NAME	
TOLERANCES UNLESS OTHERWISE SPECIFIED:		PRODUCT SPEC		
0 PLC ± - 1 PLC ± - 2 PLC ± 0.13 [.005] 3 PLC ± - 4 PLC ± - ANGLES ± -		APPLICATION SPEC		
MATERIAL		WEIGHT		
FINISH		SCALE 2:1		
		CUSTOMER DRAWING		SHEET 1 OF 1
		A2 00779 C=788158		REV E