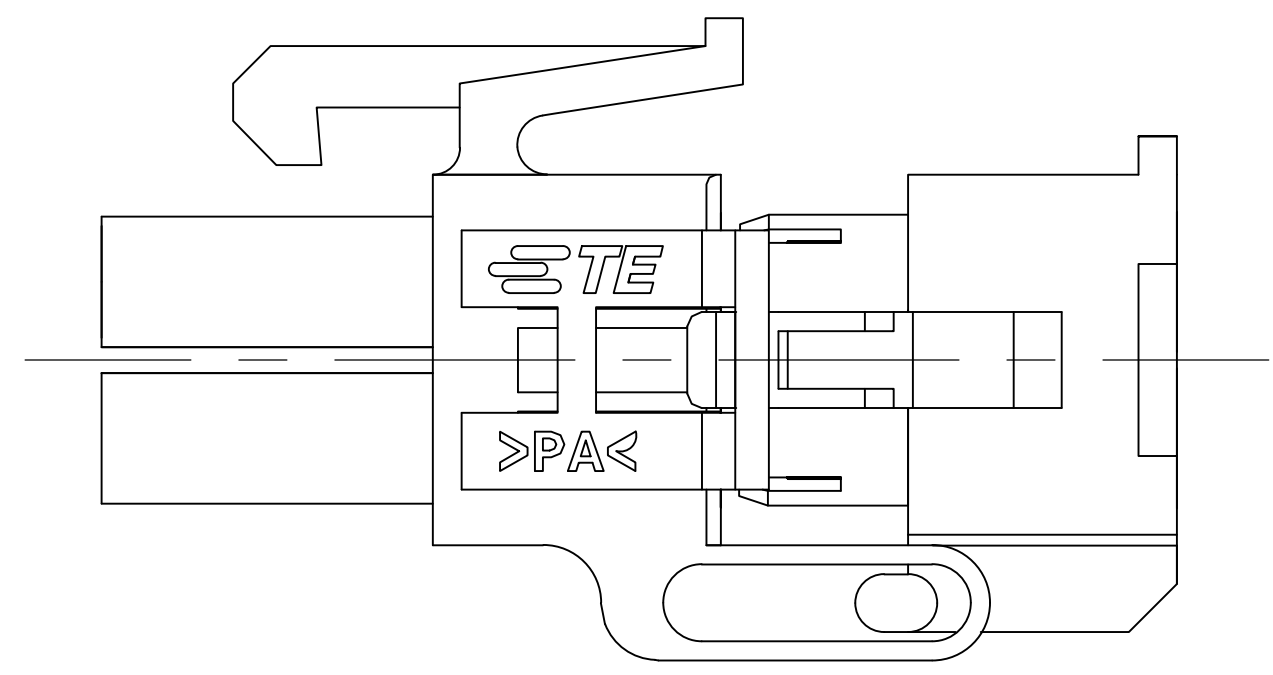
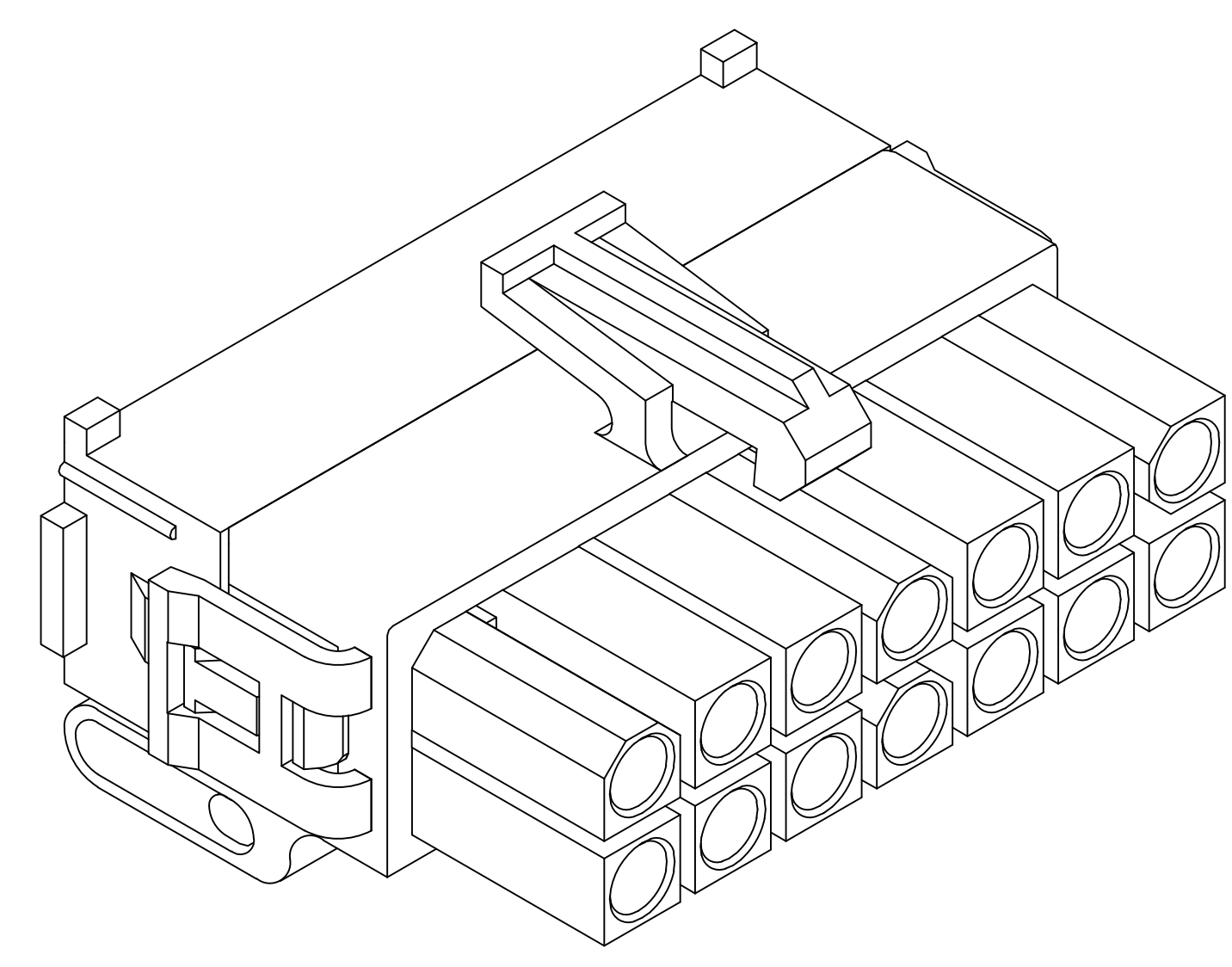
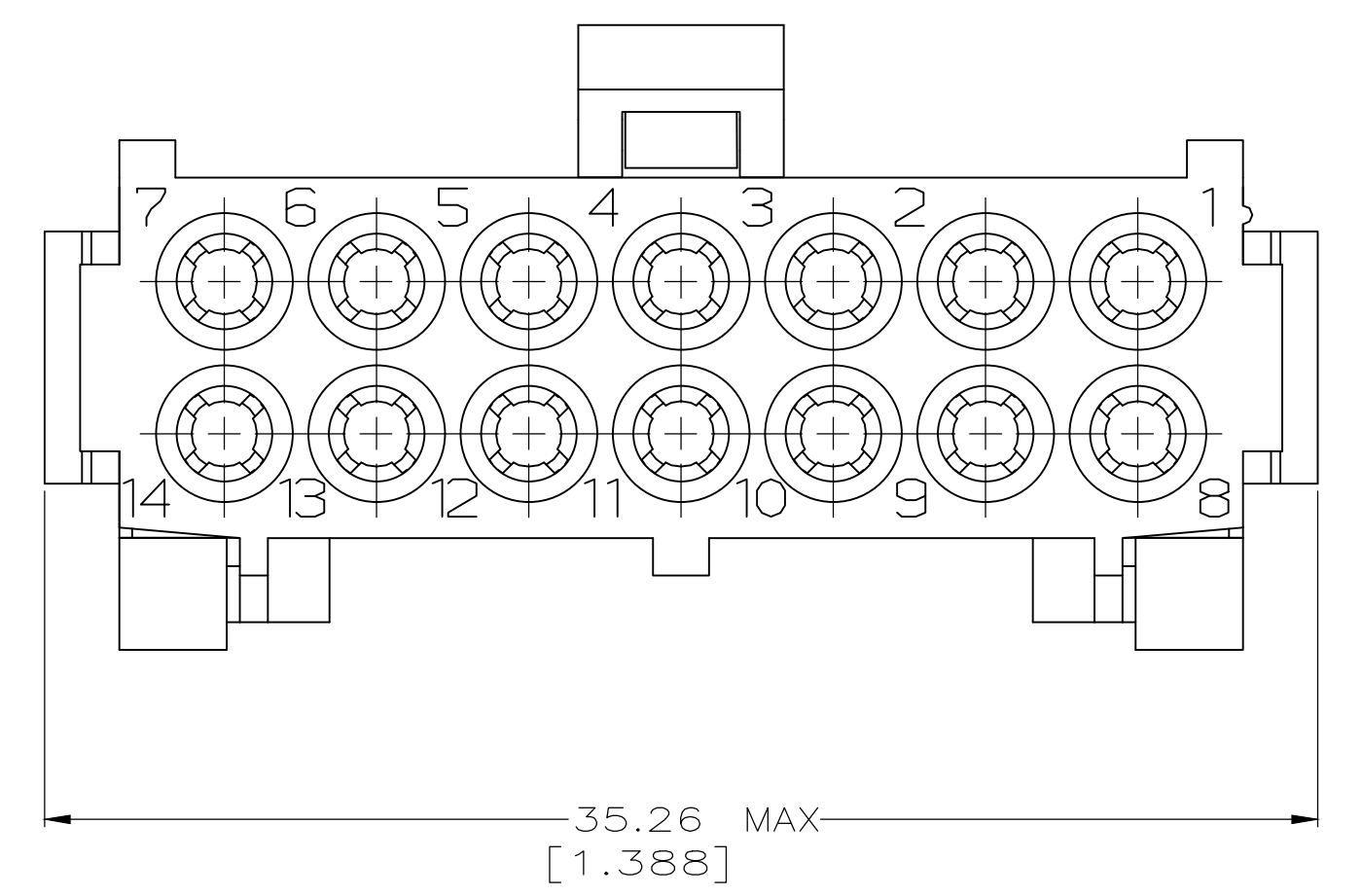
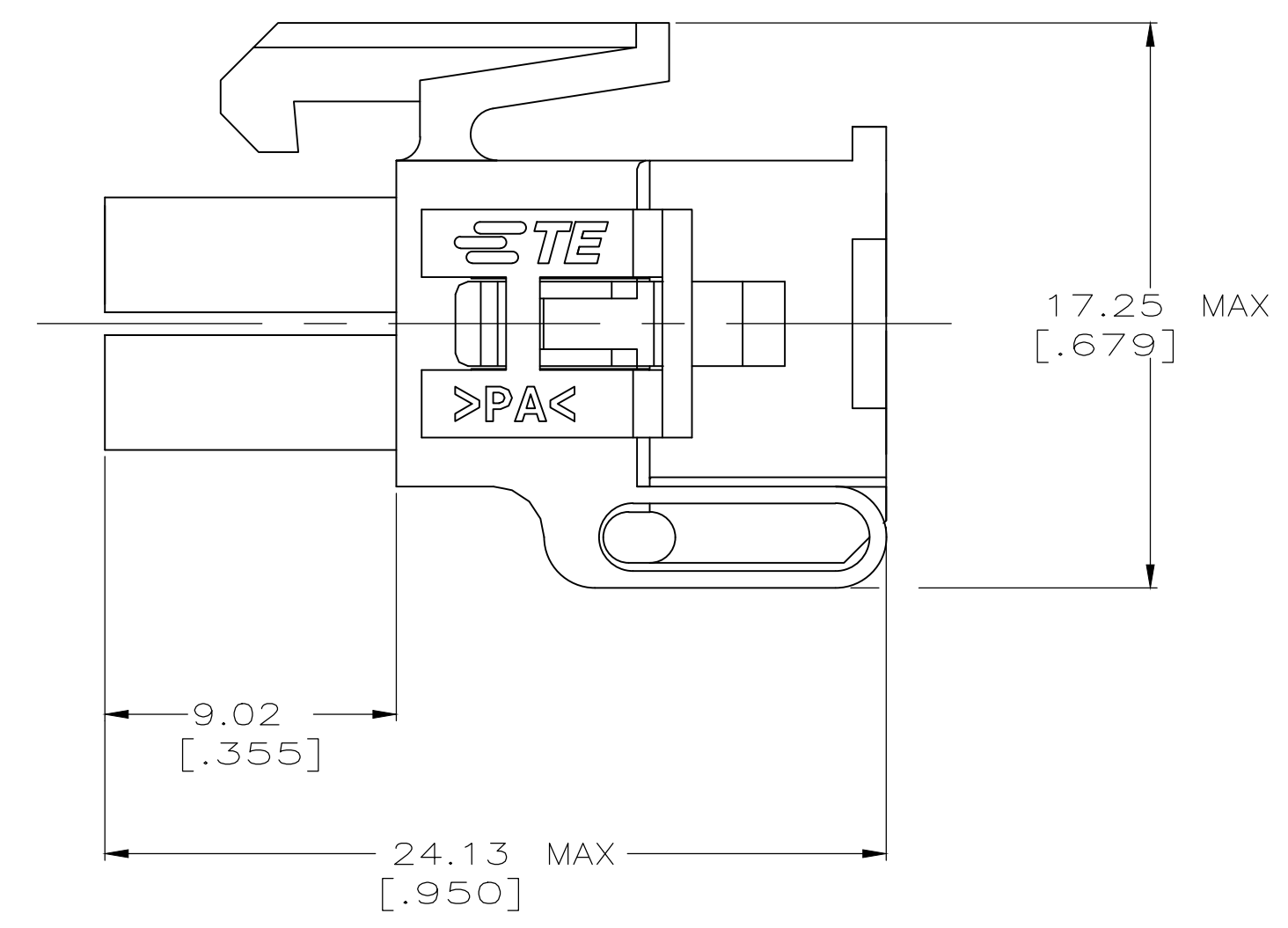
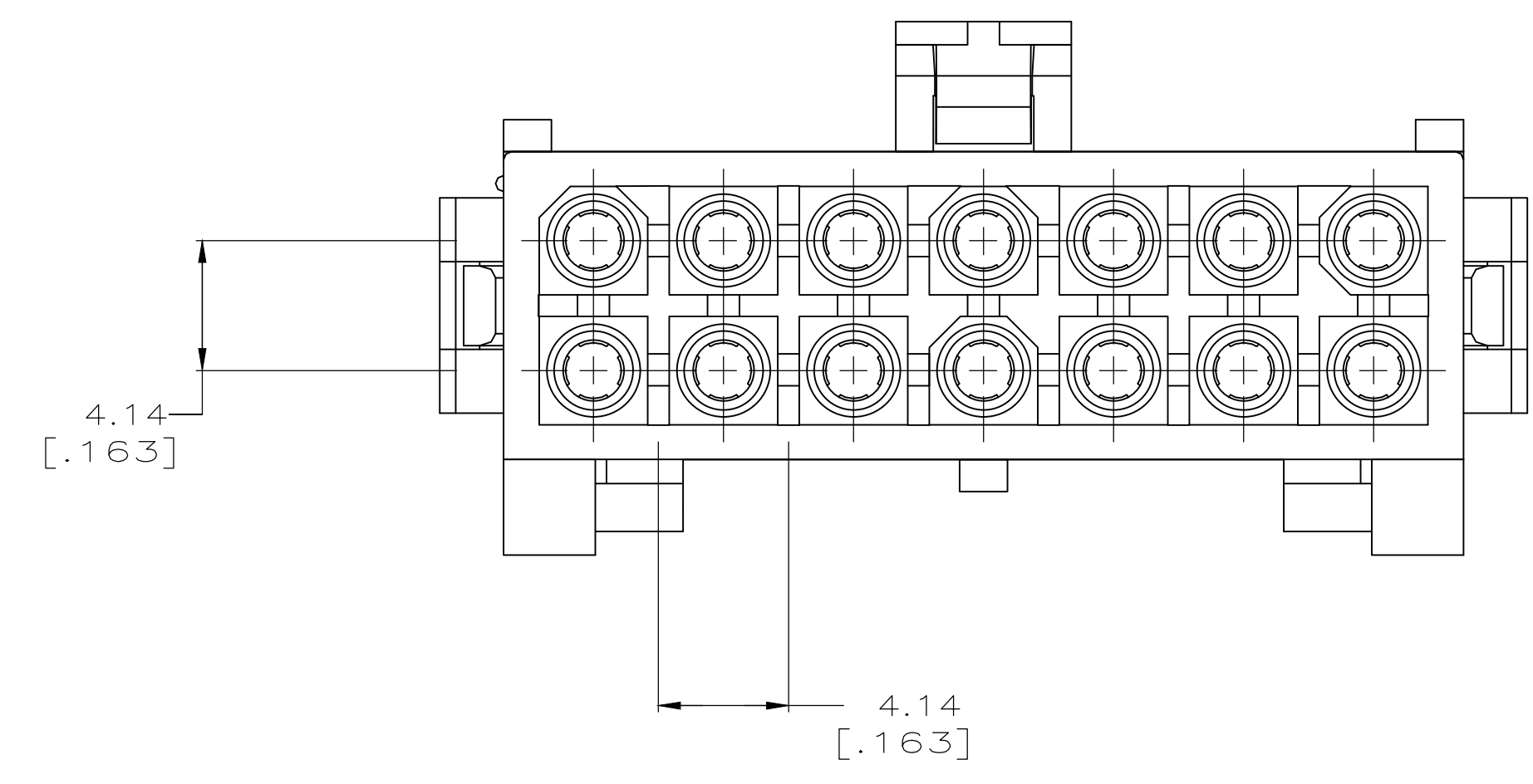


LOC		DIST		REVISIONS			
P	LTR	DESCRIPTION	DATE	DMN	APVD		
C3		REVISED PER ECR-19-004955	15APR2019	BDA	SG		

1 DIMENSIONS IN BRACKETS ARE IN INCHES.



PRE-STAGED CONDITION



3-DIMENSIONAL MODEL NTS

794202-1
PART NUMBER

THIS DRAWING IS A CONTROLLED DOCUMENT.		DIN K. WHITAKER 5-16-97	TE Connectivity
		CHK R. SWING 5-16-97	
DIMENSIONS: mm		APP'D R. ORSTAD 5-16-97	NAME
TOLERANCES UNLESS OTHERWISE SPECIFIED: 0. PLC ± - 1. PLC ± - 2. PLC ± - 3. PLC ± 0.13 [.005] 4. PLC ± - ANGLES ± -		PRODUCT SPEC	PLUG, 14 CIRCUIT, MINI UNIVERSAL MATE-N-LOK™ 2
MATERIAL NYLON, UL94V-0, NATURAL		FINISH -	SIZE CAGE CODE DRAWING NO. RESTRICTED TO
		WEIGHT -	A1 00779 C=794202
		CUSTOMER DRAWING	SCALE 5:1 SHEET 1 OF 1 REV C3