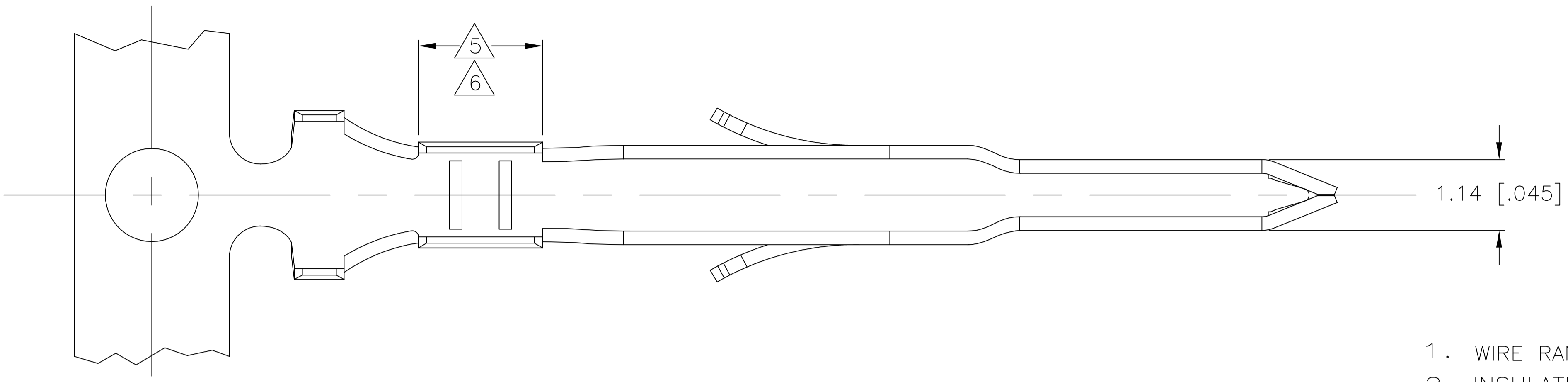
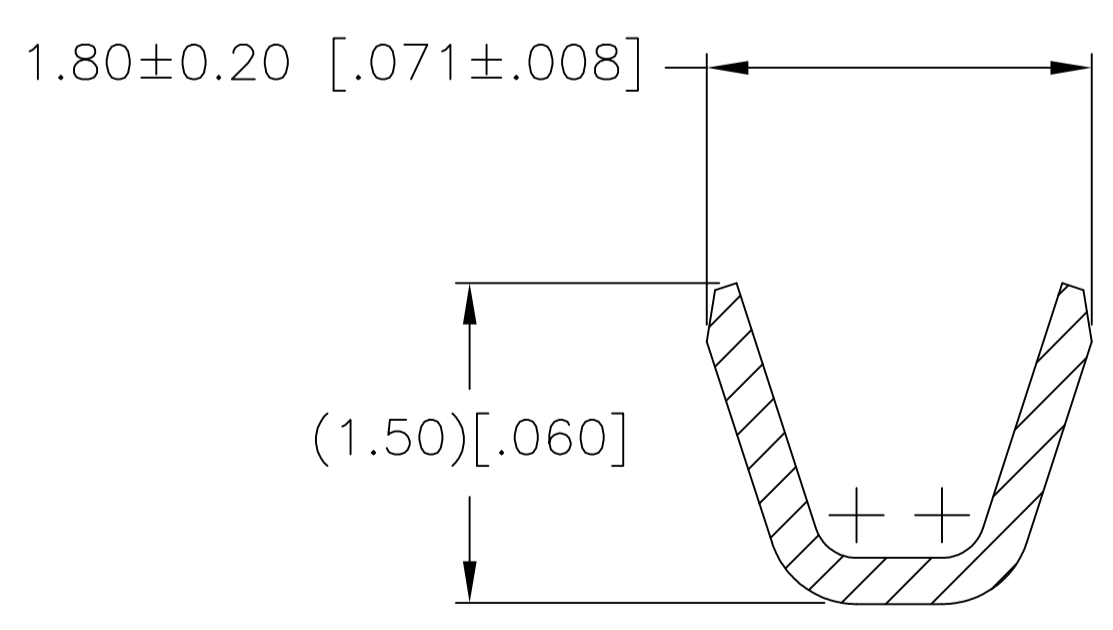
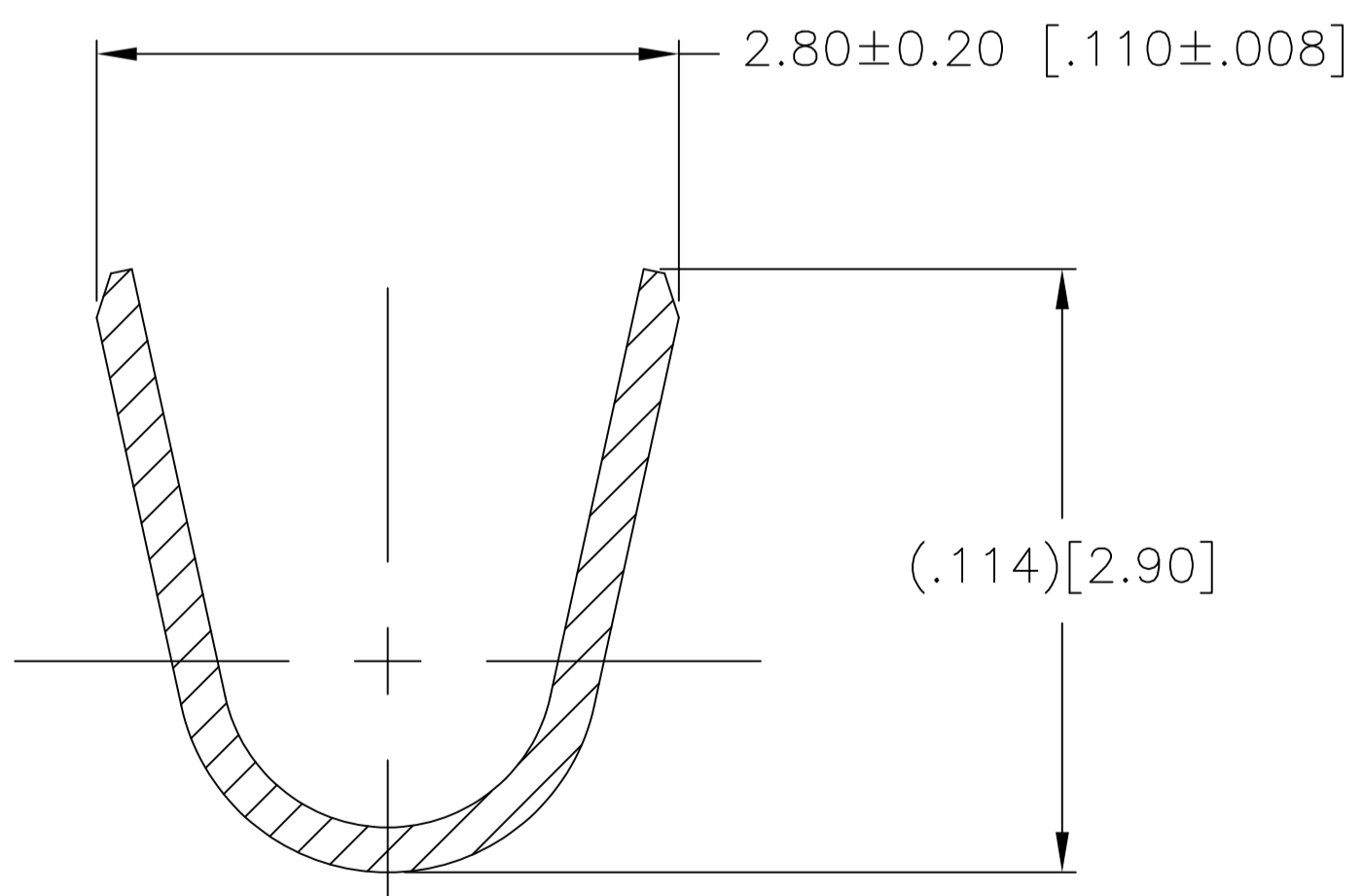
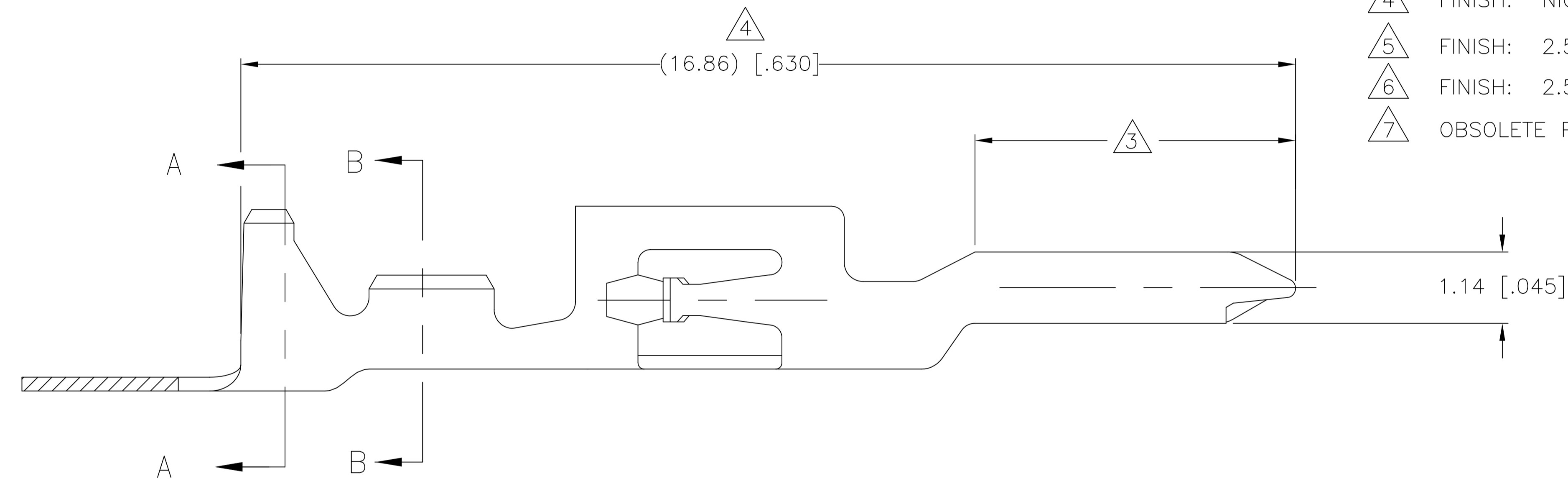


THIS DRAWING IS UNPUBLISHED. RELEASED FOR PUBLICATION
 © COPYRIGHT - TE Connectivity ALL RIGHTS RESERVED.

REVISIONS					
P	LTR	DESCRIPTION	DATE	DWN	APVD
F		REVISED PER ECO-18-013177	21AUG2018	TZ	DZ



- 1. WIRE RANGE: 0.12-0.35mm² (26-22 AWG).
- 2. INSULATION RANGE: 1.20-1.75 DIA.
- 3 FINISH: 0.76μm MINIMUM GOLD OVER 1.27μm MINIMUM NICKEL REQUIRED
- 4 FINISH: NICKEL BASE PLATE ON ALL SURFACES IN THIS AREA.
- 5 FINISH: 2.54μm MINIMUM TIN-LEAD ON ALL SURFACES IN THIS AREA.
- 6 FINISH: 2.54μm MINIMUM TIN ON ALL SURFACES IN THIS AREA.
- 7 OBSOLETE PARTS: OBSOLETE CIS STREAMLINING PER D.RENAUD/D.SINISI



FINISH	MATERIAL	PART NUMBER
3 4 6	0.22 [.009] PHOS BRONZE	794578-4
3 4 5	0.22 [.009] PHOS BRONZE	794578-2
PRE-TIN	0.22 [.009] PHOS BRONZE	794578-1

THIS DRAWING IS A CONTROLLED DOCUMENT.

DWN S. HAMM 18-FEB-2002	TE Connectivity CONTACT, MALE, AMP-DUAC(TM) POWER CONNECTOR
CHK D. COLEY 18-FEB-2002	
APVD D. COLEY 18-FEB-2002	
NAME D. COLEY	
DIMENSIONS: mm [INCHES]	PRODUCT SPEC 108-1646
TOLERANCES UNLESS OTHERWISE SPECIFIED: 0 PLC ± 1 PLC ± 2 PLC ± 0.10 [.004] 3 PLC ± 4 PLC ± ANGLES ± FINISH	APPLICATION SPEC 114-6067
MATERIAL 0.22 [.009]PH BRZ	WEIGHT 0
SEE TABLE	CUSTOMER DRAWING

SIZE A2	CAGE CODE 00779	DRAWING NO C=794578	RESTRICTED TO -
SCALE 14:1	SHEET 1 of 1	REV F	