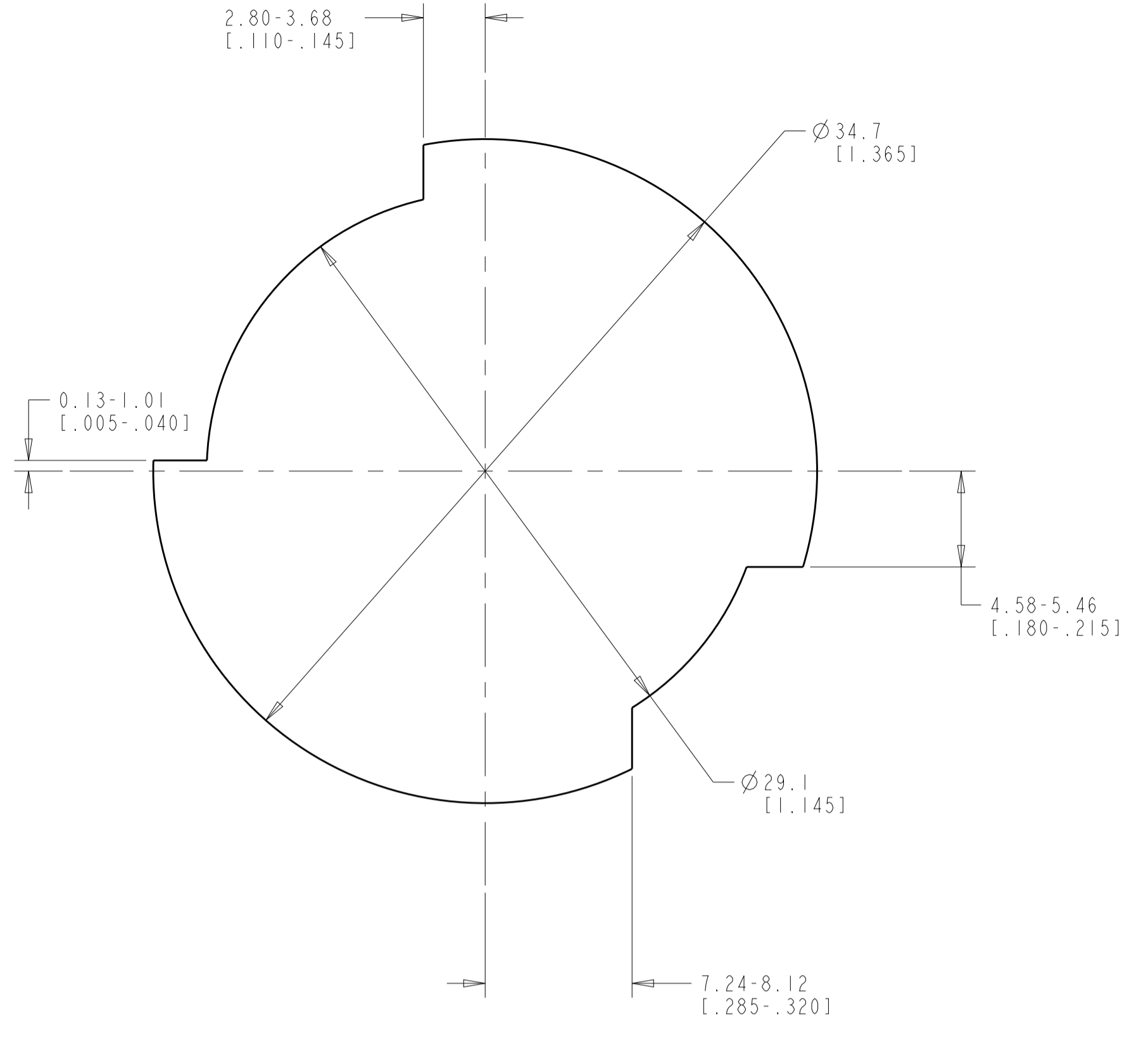
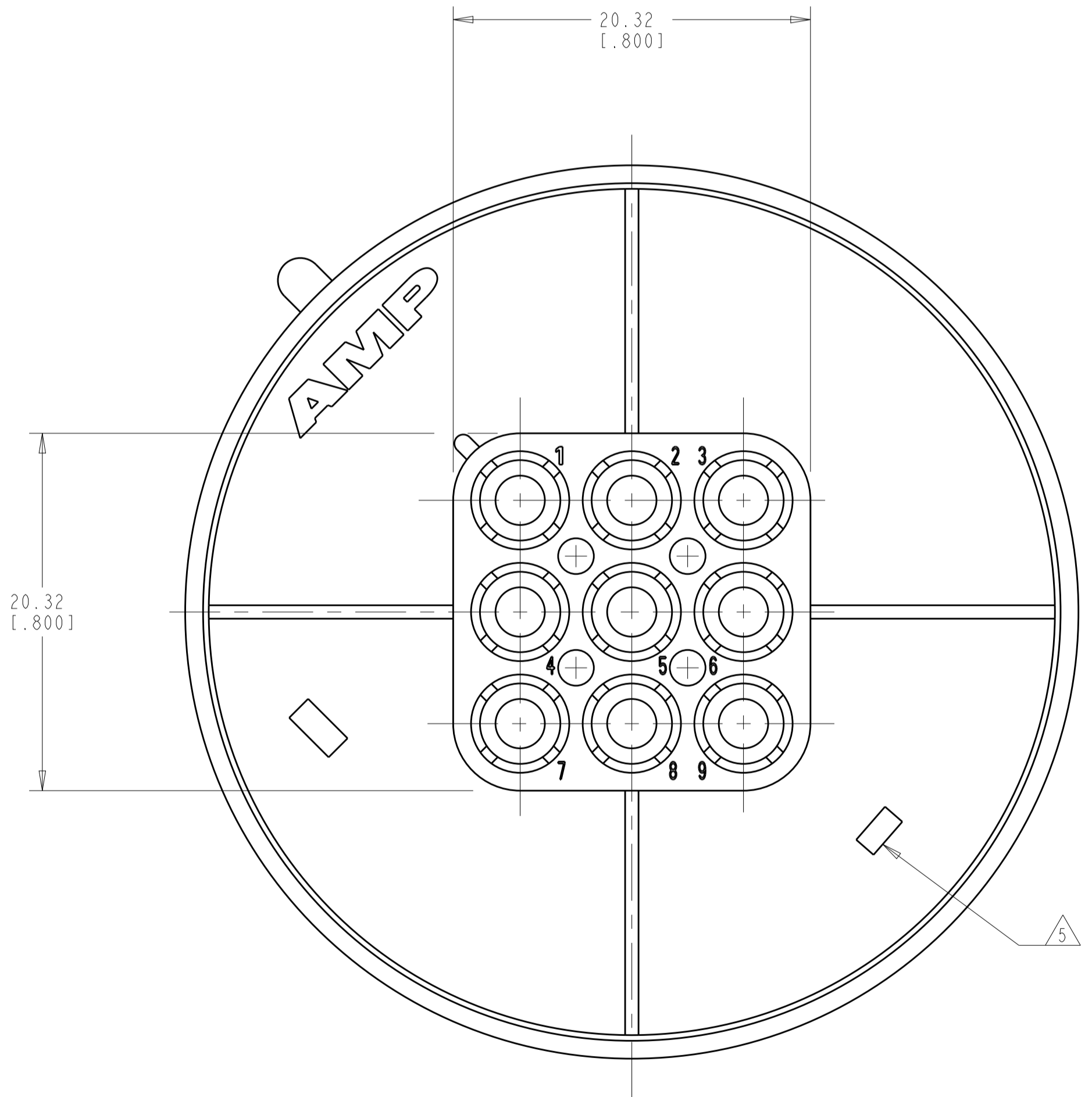
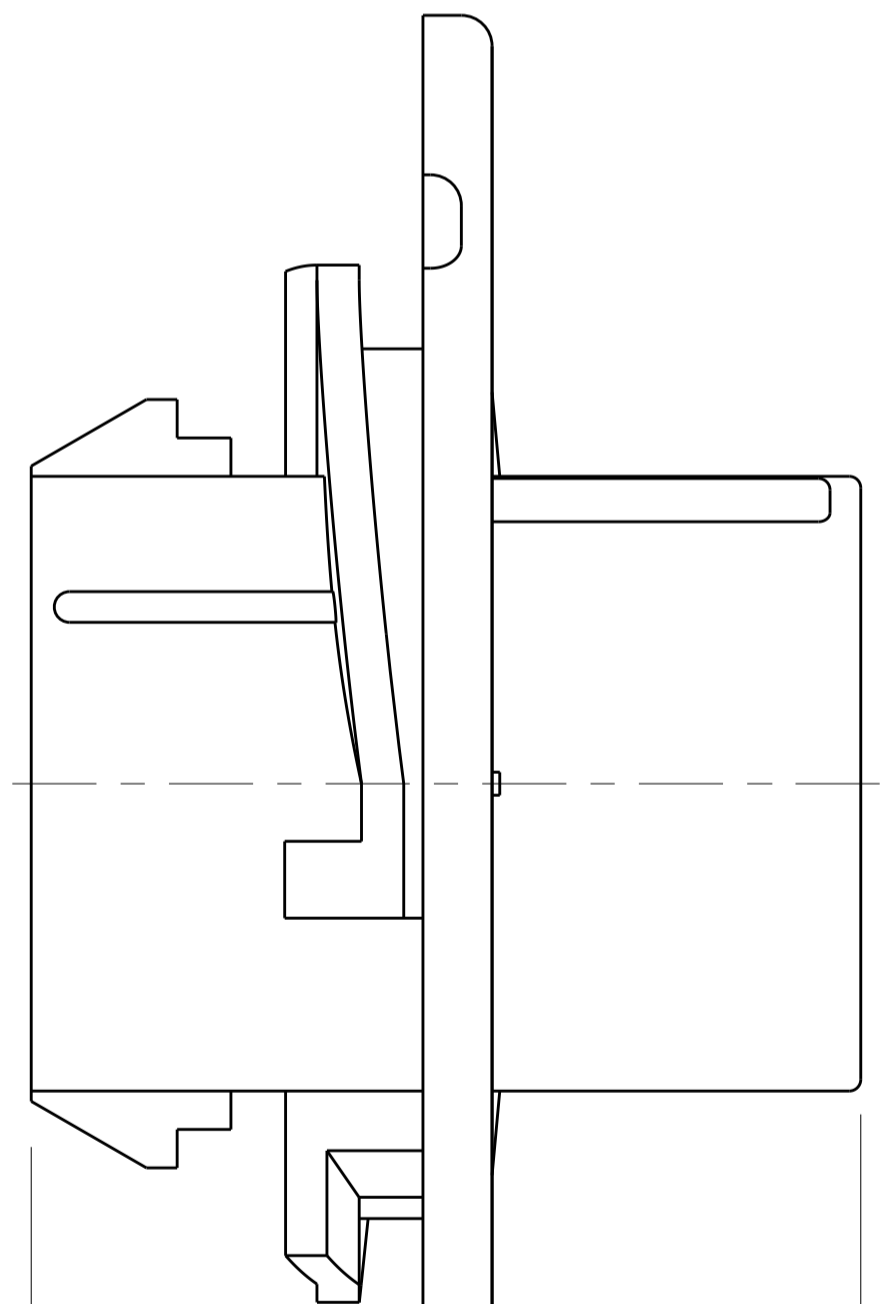
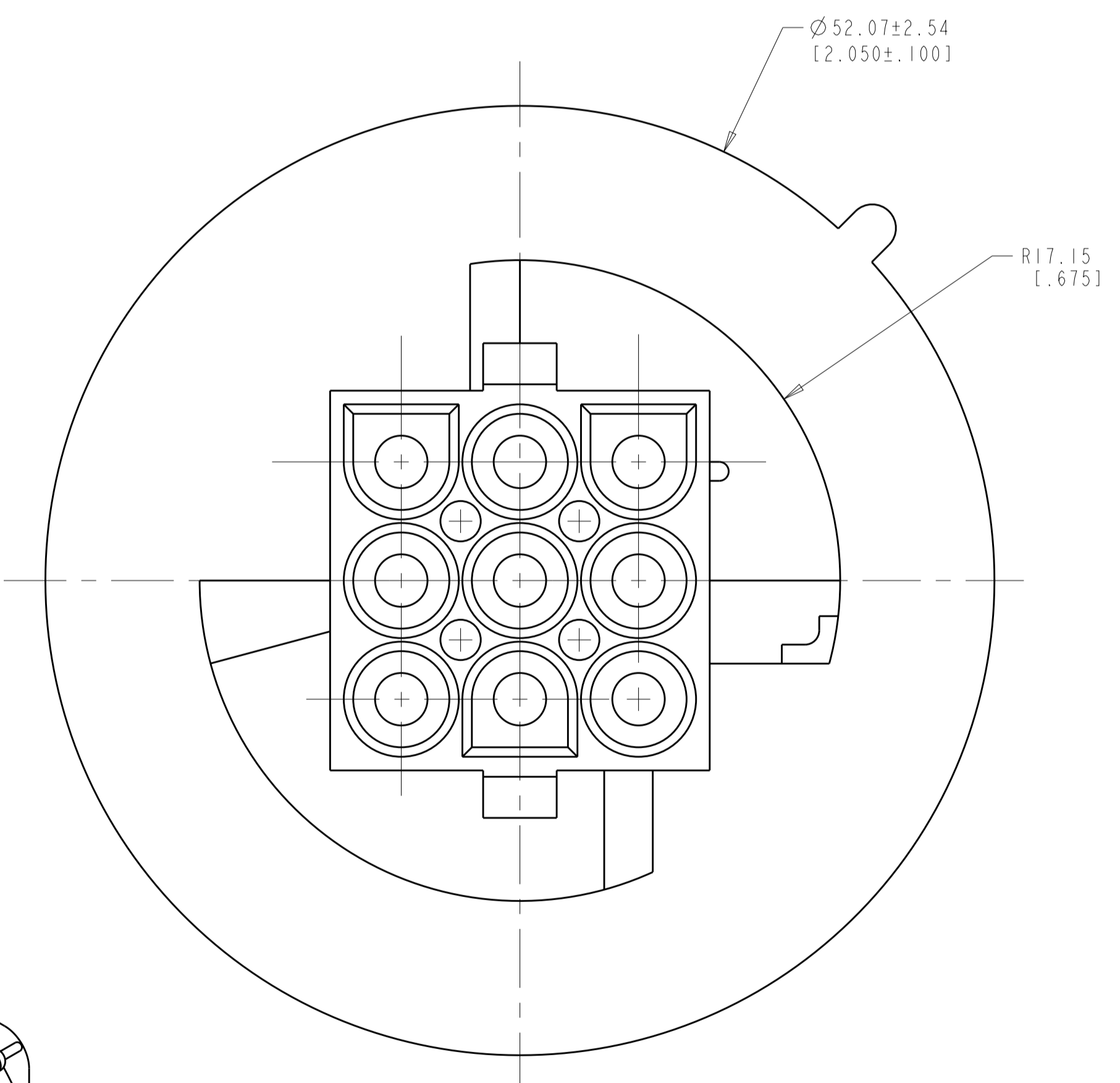
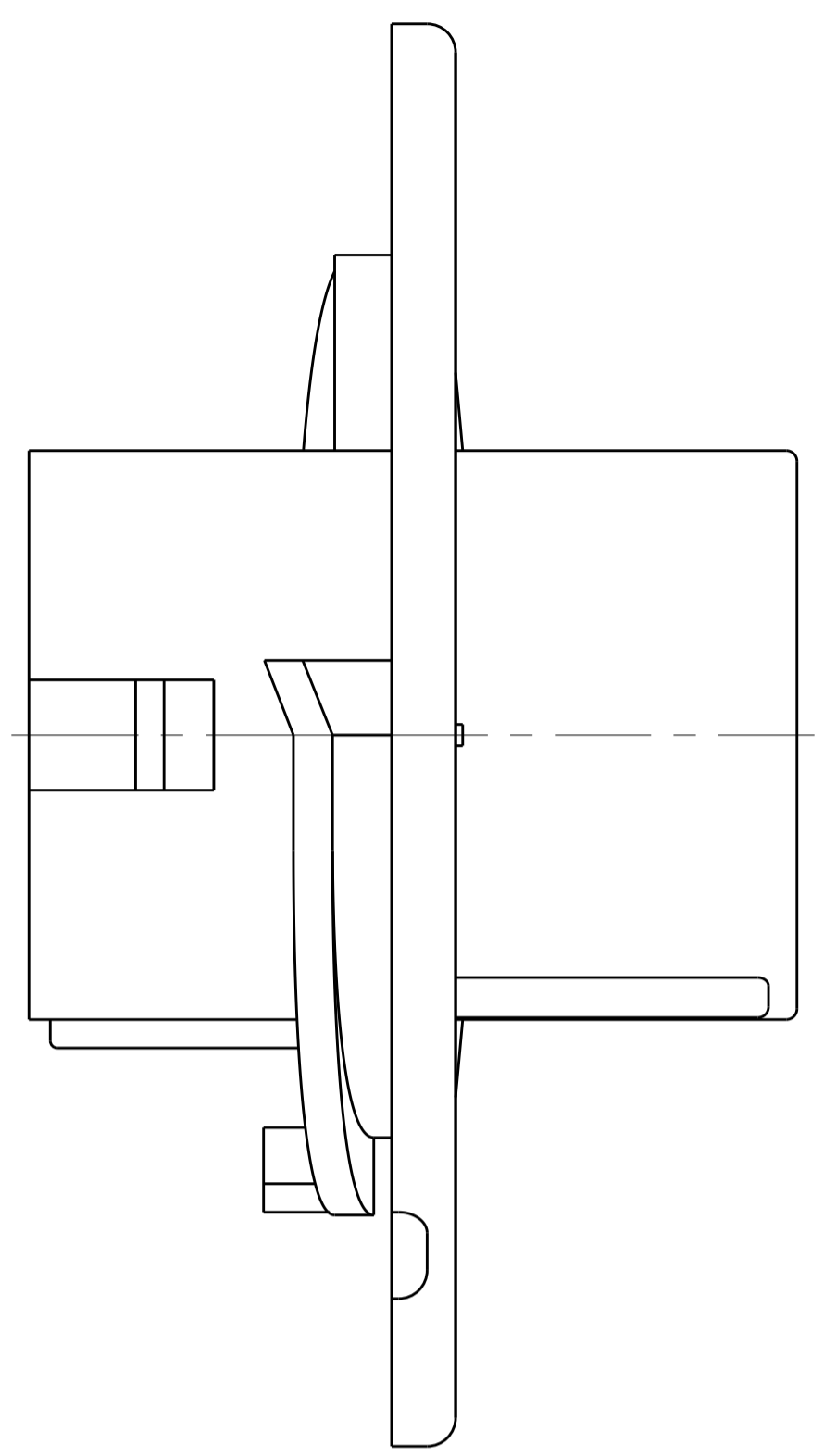


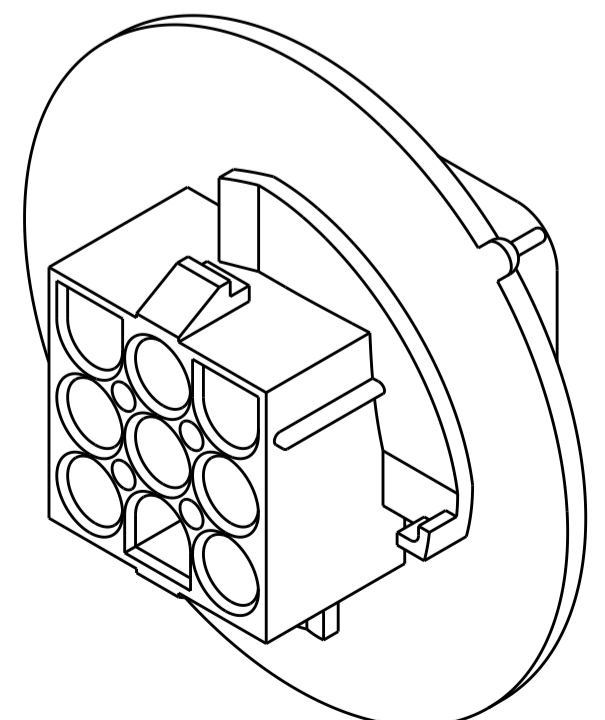
LOC		DIST		REVISIONS			
CM	00	P	LTN	DESCRIPTION	DATE	DWN	APVD
		M		REVISED PER ECR-17-015775	03NOV2017	BDA	KR



RECOMMENDED CUT OUT



- MATES WITH APPROPRIATE UNIVERSAL MATE-N-LOK™ PLUG.
 - RECOMMENDED PANEL THICKNESS 0.76 - 2.29 [.030 - .090].
 - PANEL MUST BE PUNCHED SO THAT THE HOUSING ENTERS THE PANEL IN THE SAME DIRECTION AS THE PUNCH.
 - DIMENSIONS SHOWN REPRESENT PRODUCT IN DRY, AS MOLDED CONDITION ADDITIONAL 2% GROWTH DUE TO SUBSEQUENT MOISTURE ABSORPTION MAY OCCUR AND SHOULD BE ACCOUNTED FOR.
- UL AND CSA LOGOS LOCATED APPROXIMATELY AS SHOWN



3-DIMENSIONAL MODEL SCALE 2:1

BLACK	1-794715-9
GRAY	1-794715-8
BLUE	1-794715-6
GREEN	1-794715-5
YELLOW	1-794715-4
ORANGE	1-794715-3
RED	1-794715-2
BROWN	1-794715-1
NATURAL	794715-1
COLOR	PART NUMBER

THIS DRAWING IS A CONTROLLED DOCUMENT.		DWN: R. WHITAKER 06-OCT-1999	TE Connectivity CAP. 9 CIRCUIT, UNIVERSAL MATE-N-LOK(TM), SPECIAL
DIMENSIONS: mm [INCHES]		CHK: M. TRULL 06-OCT-1999	
TOLERANCES UNLESS OTHERWISE SPECIFIED:		APVD: M. TRULL 06-OCT-1999	NAME: A1
0 PLC ±	1 PLC ±	2 PLC ±	3 PLC ±
4 PLC ±	5 PLC ±	6 PLC ±	7 PLC ±
ANGLES ±	FINISH: 40° 30'		SCALE: 4:1
MATERIAL: NYLON UL 94V-2, NATURAL	WEIGHT: -		SHEET 1 OF 1
CUSTOMER DRAWING		SIZE: A1	REV: M