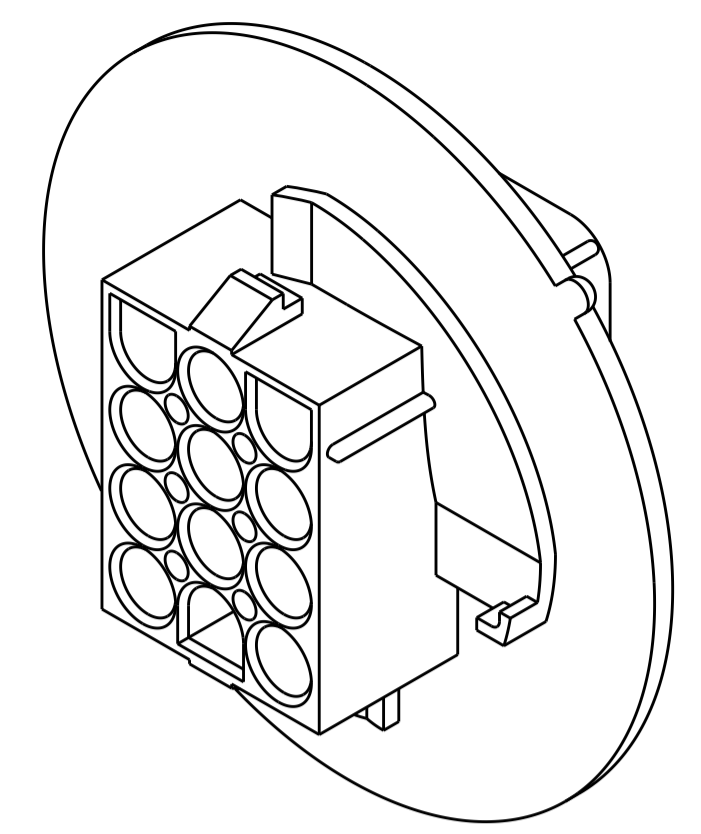
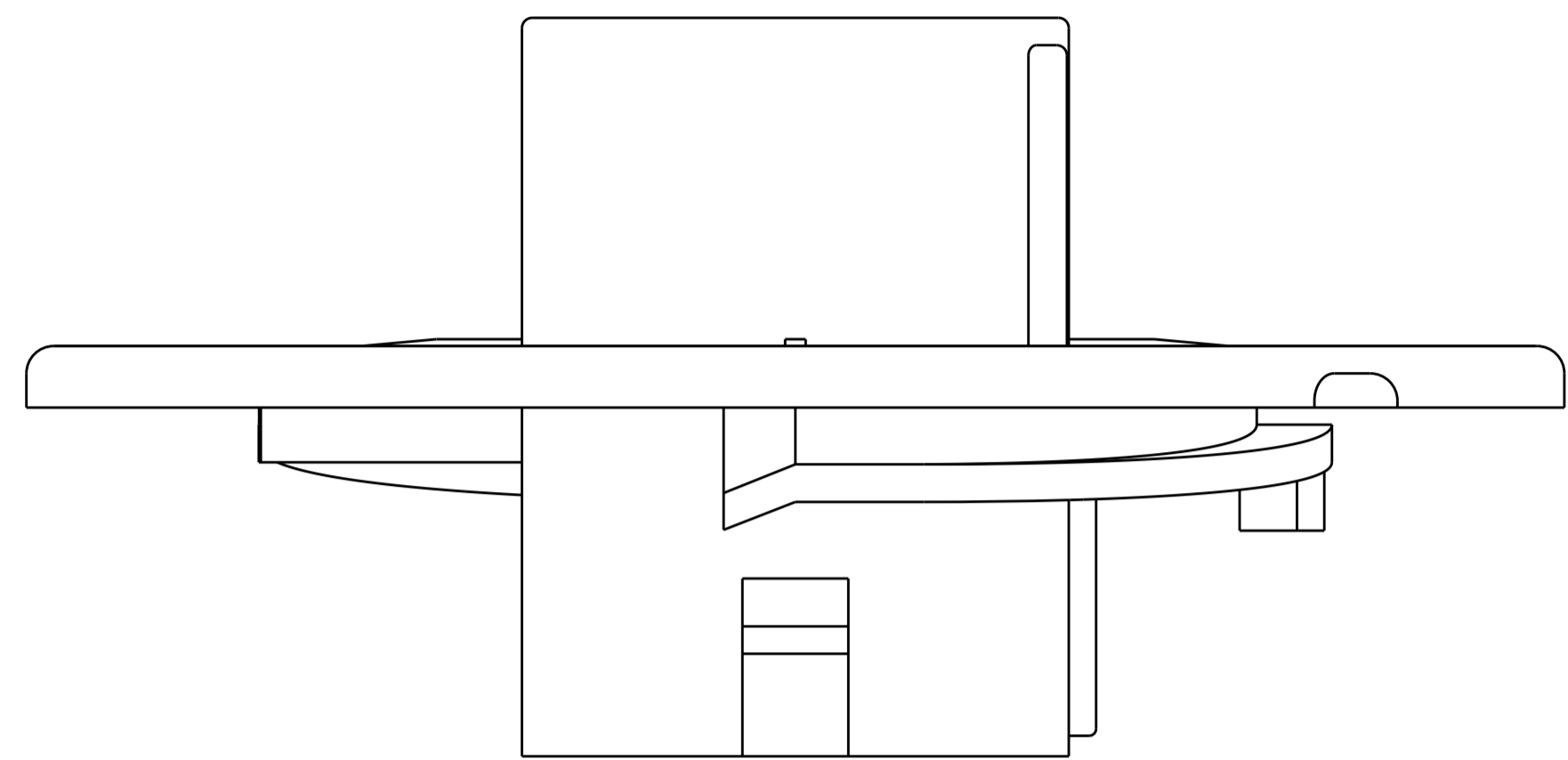
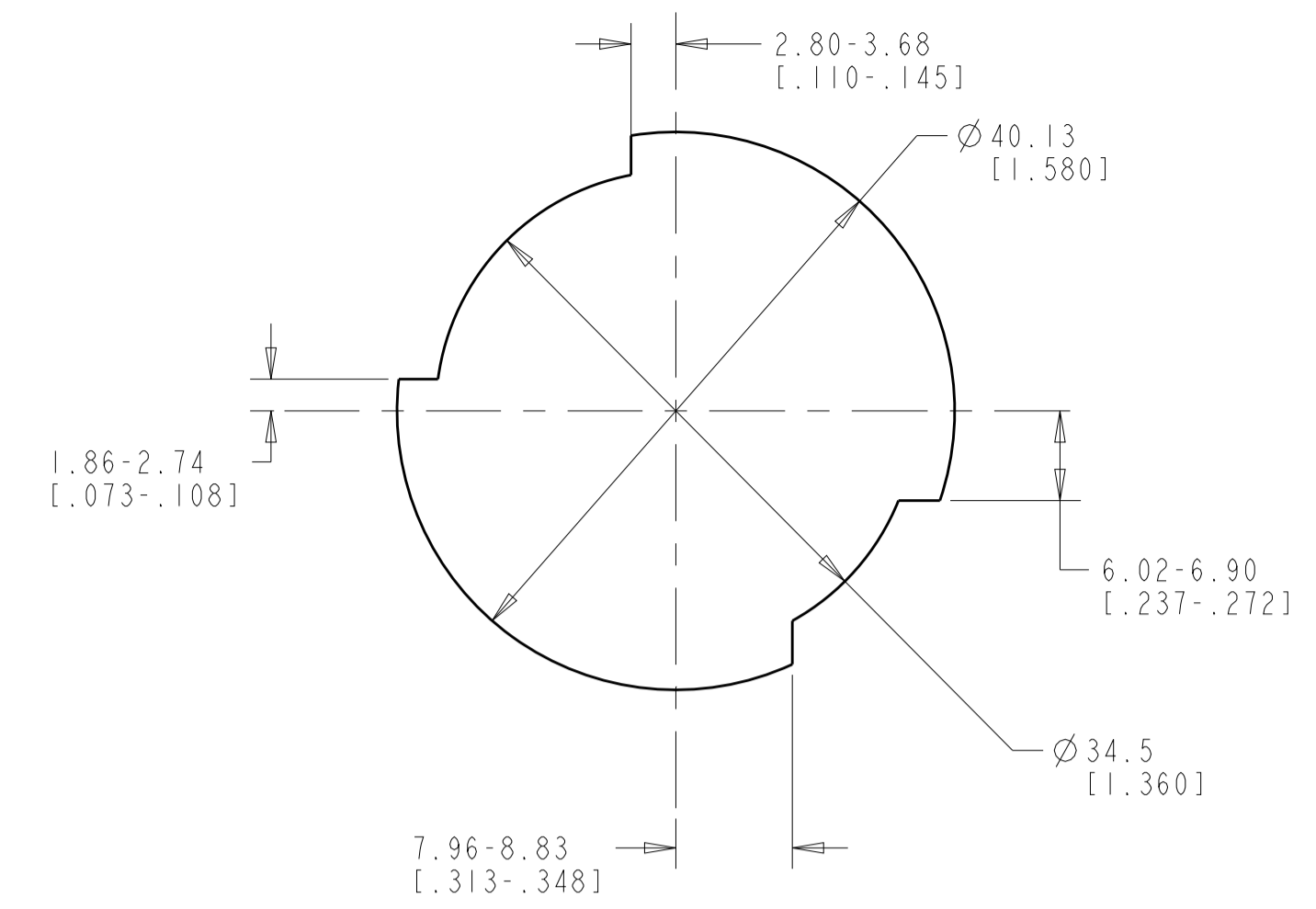


LOC		DIST		REVISIONS			
P	LTN	DESCRIPTION	DATE	DWN	APVD		
L		REVISED PER ECR-17-015775	03NOV2017	BDA	KR		



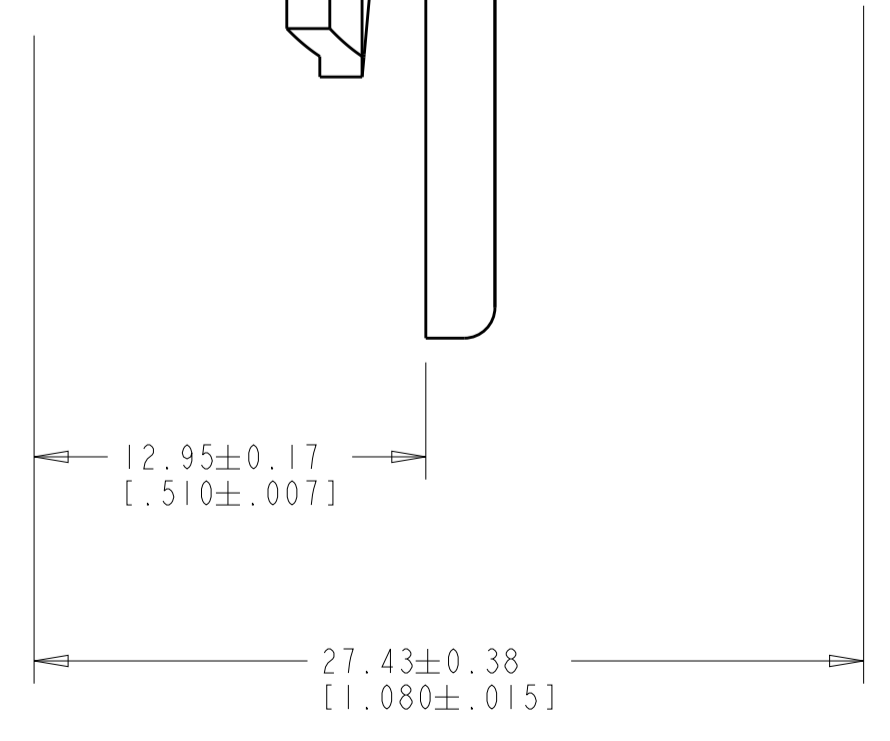
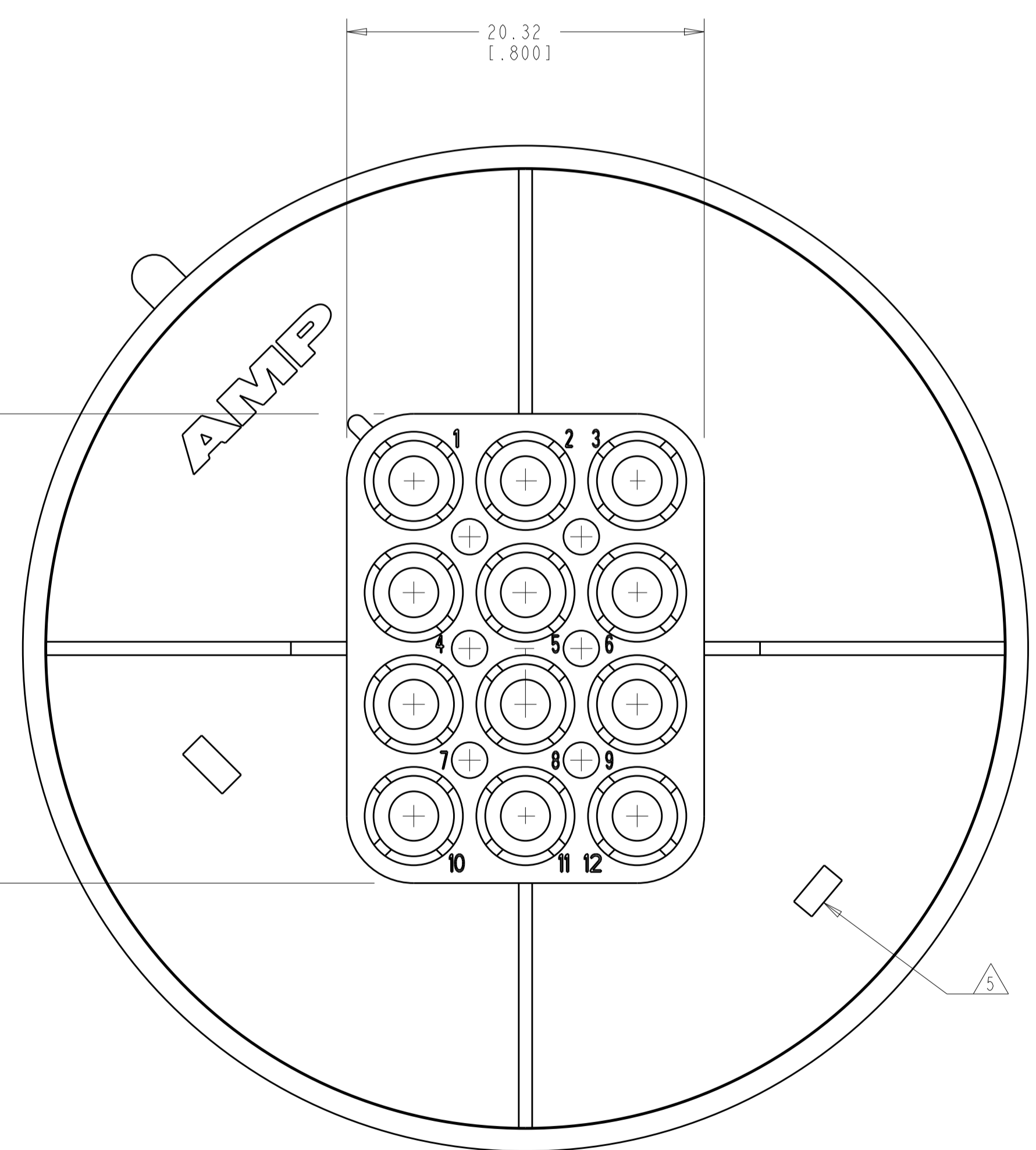
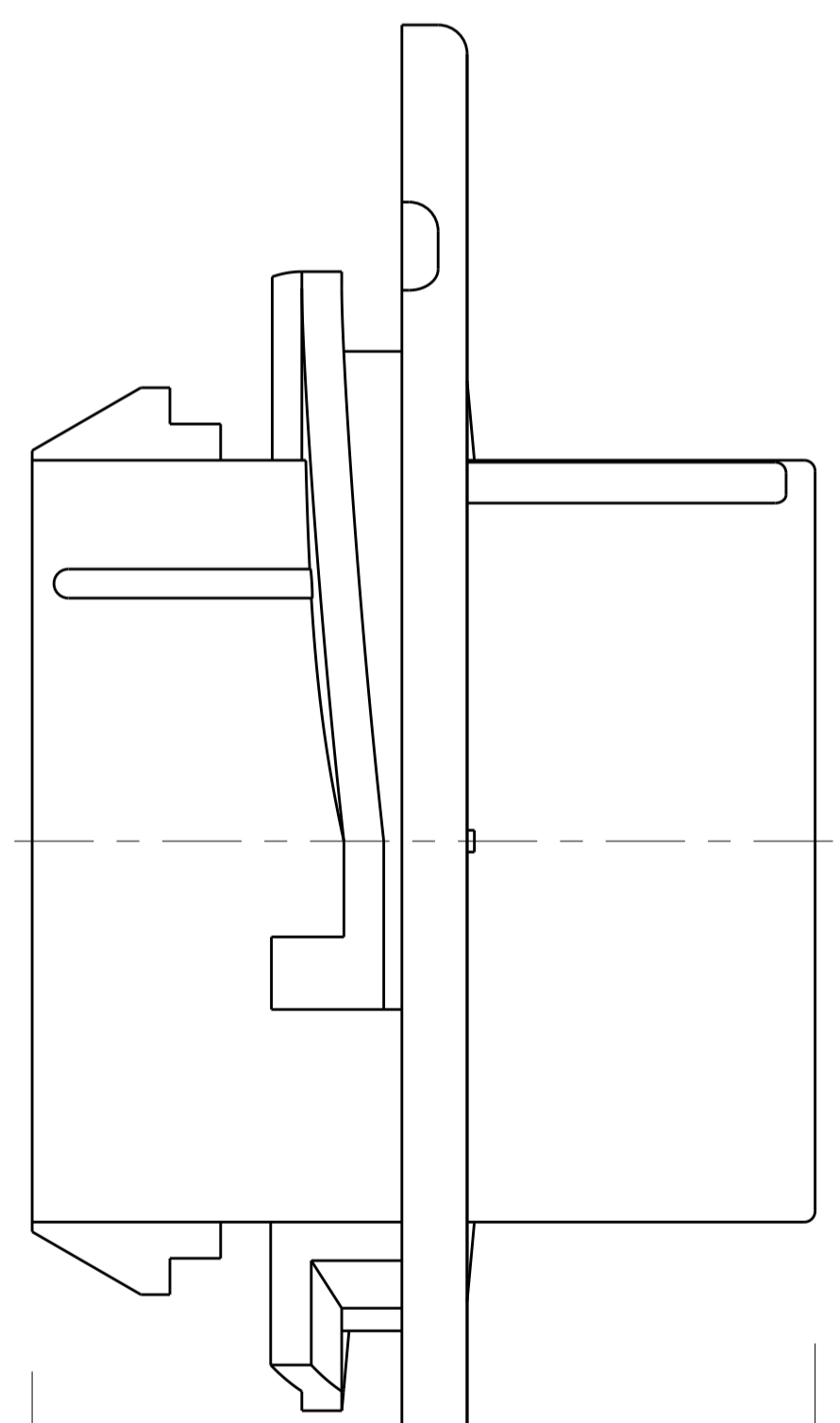
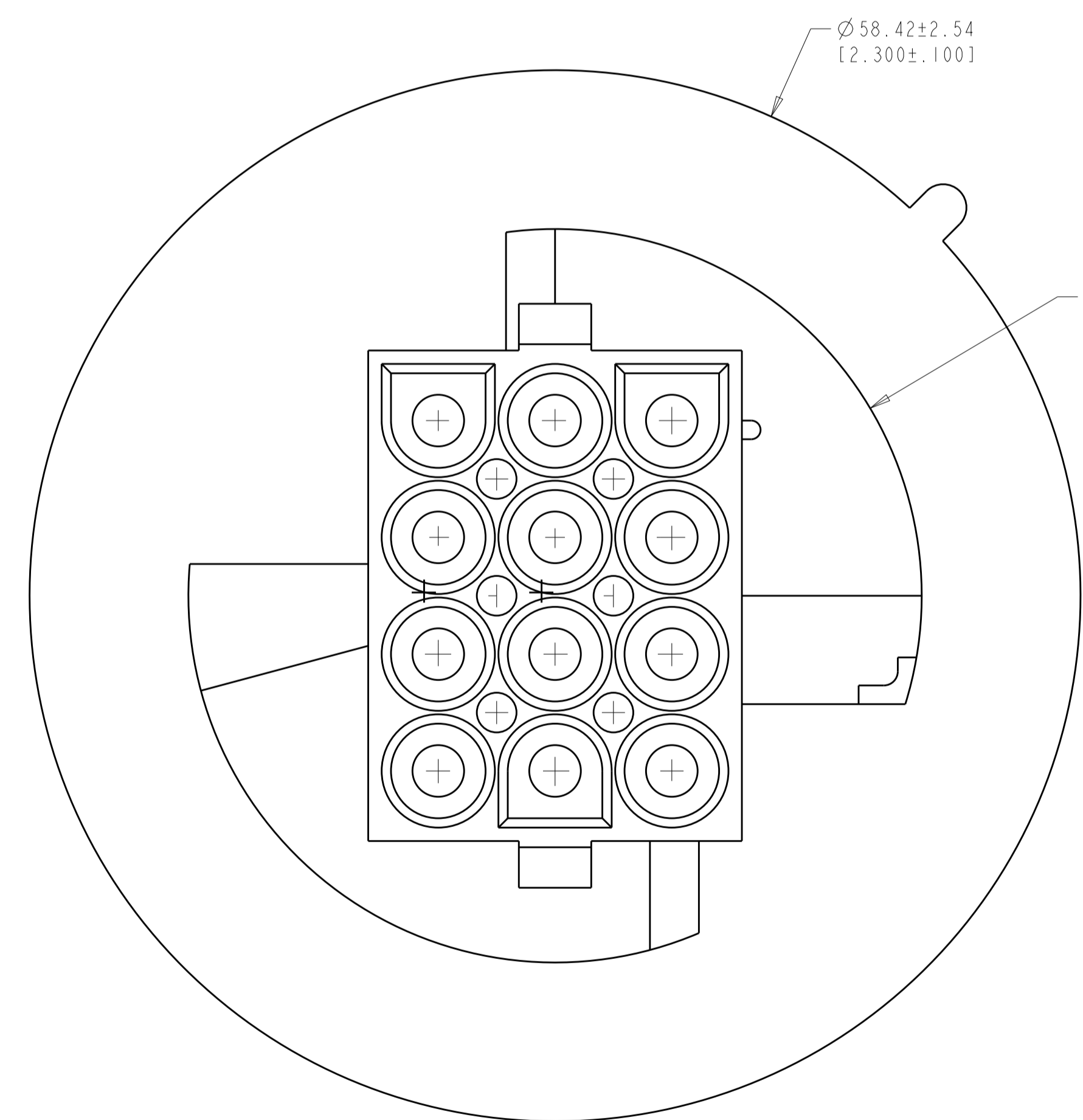
3-DIMENSIONAL MODEL
SCALE 2:1



RECOMMENDED CUT OUT
SCALE 2:1

- MATES WITH APPROPRIATE UNIVERSAL MATE-N-LOK™ PLUG.
- RECOMMENDED PANEL THICKNESS 0.76 - 2.29 [.030 - .090].
- PANEL MUST BE PUNCHED SO THAT THE HOUSING ENTERS THE PANEL IN THE SAME DIRECTION AS THE PUNCH.
- DIMENSIONS SHOWN REPRESENT PRODUCT IN DRY, AS MOLDED CONDITION ADDITIONAL 2% GROWTH DUE TO SUBSEQUENT MOISTURE ABSORPTION MAY OCCUR AND SHOULD BE ACCOUNTED FOR.

UL AND CSA LOGOS LOCATED APPROXIMATELY AS SHOWN



SUPERSEDED BY	COLOR	PART NUMBER
794716-2	BLACK	1-794716-9
	GRAY	1-794716-8
	BLUE	1-794716-6
	GREEN	1-794716-5
	YELLOW	1-794716-4
	ORANGE	1-794716-3
	RED	1-794716-2
	BROWN	1-794716-1
PRELIMINARY	RED	794716-3
	BLACK	794716-2
	NATURAL	794716-1
	COLOR	PART NUMBER

THIS DRAWING IS A CONTROLLED DOCUMENT.

DWN: R. WHITAKER 08-OCT-1999
 CHK: M. TRULL 08-OCT-1999
 APVD: M. TRULL 08-OCT-1999

DIMENSIONS: mm [INCHES]

TOLERANCES UNLESS OTHERWISE SPECIFIED:	
0 PLC	±
1 PLC	±
2 PLC	±0.51 [1.020]
3 PLC	±
4 PLC	±
ANGLES	±40° 30'

MATERIAL: NYLON UL 94V-2

FINISH: -

TE Connectivity

NAME: CAP. 12 CIRCUIT, UNIVERSAL MATE-N-LOK(TM), SPECIAL

SIZE: A1 CAGE CODE: 00779 DRAWING NO: 794716

WEIGHT: -

CUSTOMER DRAWING

SCALE: 4:1 SHEET: 1 OF 1 REV: L