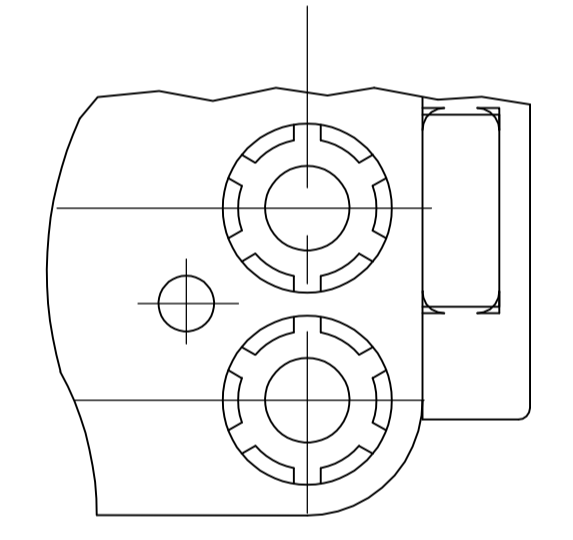
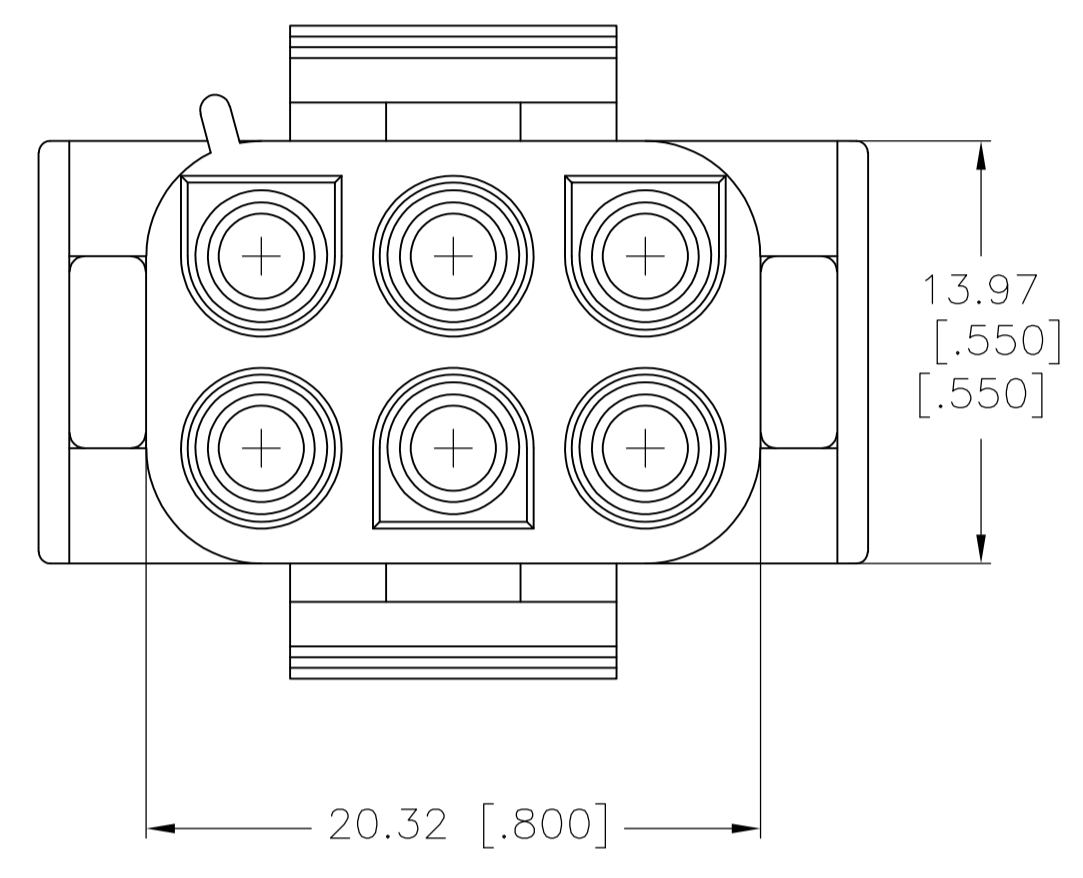
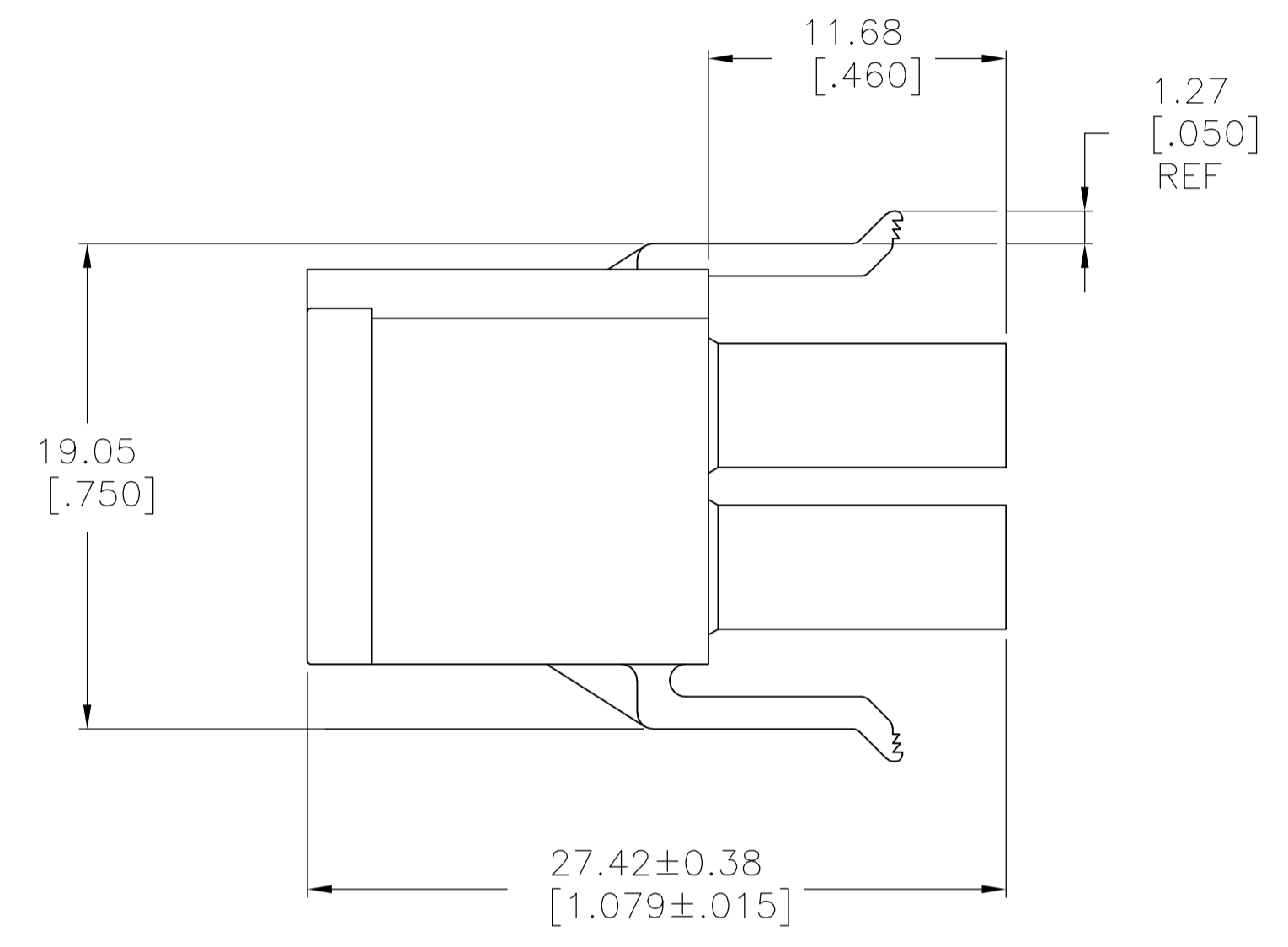
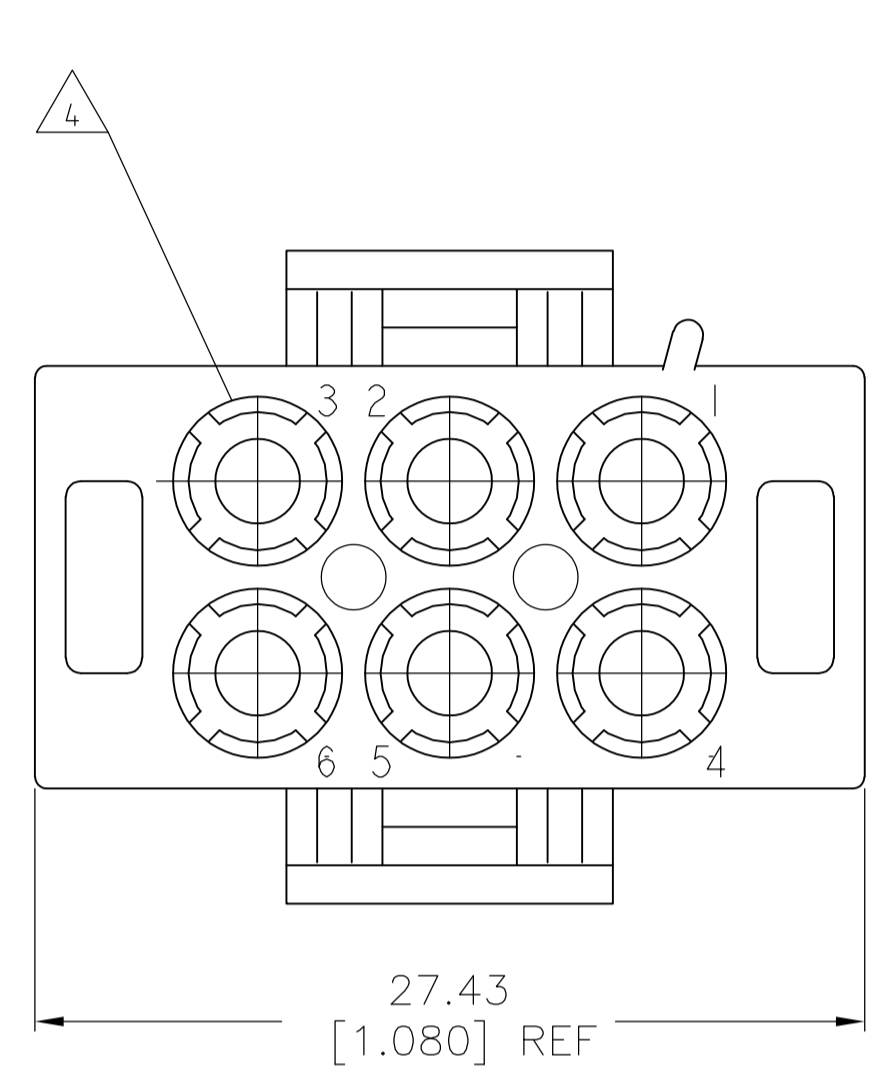
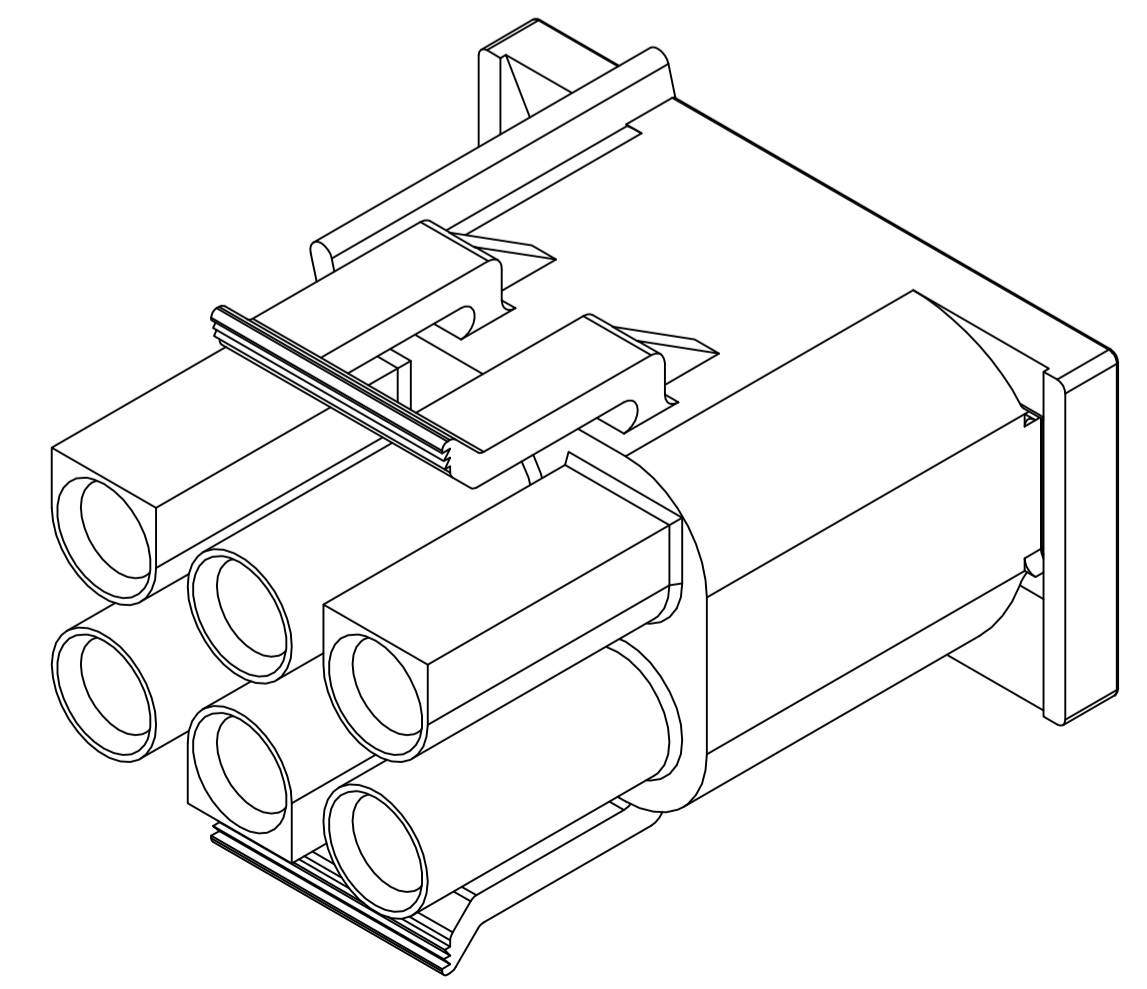
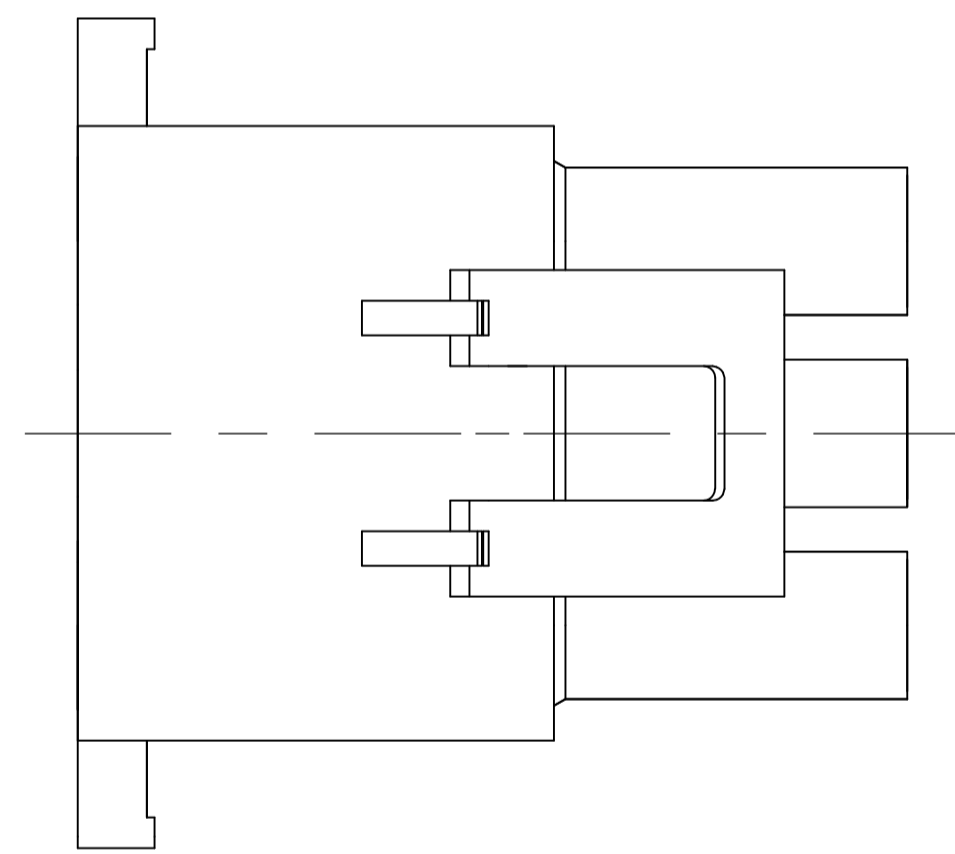


REVISIONS				
P	LTR	DESCRIPTION	DATE	DMN APVD
B2		REVISED PER ECO-17-011927	23AUG2017	RS KR

- MATES WITH APPROPRIATE UNIVERSAL MATE-N-LOK™ CAP OR HEADER.
- SMALL NICKS ARE PERMITTED ON THE CIRCUIT TOWERS WHICH COULD INCREASE THE INITIAL HOUSING MATING FORCE BY UP TO 4.4 NEWTONS [1.0 LBS]. NO INDIVIDUAL NICKED TOWER SHALL INCREASE THIS FORCE BY OVER 2.2 NEWTONS [.5 LBS].
- DIMENSIONS SHOWN REPRESENT PRODUCT IN DRY, AS MOLDED CONDITION ADDITIONAL 2% GROWTH DUE TO SUBSEQUENT MOISTURE ABSORPTION MAY OCCUR AND SHOULD BE ACCOUNTED FOR.



OPTIONAL CONSTRUCTION \triangle 4



- \triangle 4 FOUR RIBS EQUALLY SPACED, NO SPECIFIC ORIENTATION, OR SIX RIBS EQUALLY SPACED, NO SPECIFIC ORIENTATION, OPTIONAL
- \triangle 5 FLAMMABILITY V2 FOR THICKNESS 0.38mm, 1.5mm, and 3.0mm PER IEC 60695-11-10.
- \triangle 6 GLOW-WIRE FLAMMABILITY (GWI) 800°C FOR THICKNESS 0.38mm AND 0.75mm PER IEC 60695-2-12.
- \triangle 7 GLOW-WIRE FLAMMABILITY (GWI) 960°C FOR THICKNESS 1.5mm AND 3.0mm PER IEC 60695-2-12.
- \triangle 8 GLOW-WIRE IGNITION (GWIT) 825°C FOR THICKNESS 0.38mm, 0.75mm, 1.5mm AND 3.0mm PER IEC 60695-2-13.

\triangle 5	\triangle 6	\triangle 7	\triangle 8	NYLON UL94V-2 GWT NATURAL	794816-2
				NYLON UL94V-0 NATURAL	794816-1
				MATERIAL	PART NUMBER

THIS DRAWING IS A CONTROLLED DOCUMENT.		DIN K. WHITAKER 01JUN2001	TE Connectivity	
DIMENSIONS: mm		CHK S. RIDGILL 01JUN2001	NAME PLUG, SHORT LATCH, 6 CIRCUIT, UNIVERSAL MATE-N-LOK™	
TOLERANCES UNLESS OTHERWISE SPECIFIED:		APVD S. RIDGILL 01JUN2001	PRODUCT SPEC	
0. PLC ± -		APPLICATION SPEC		
1. PLC ± -		SIZE CAGE CODE DRAWING NO		
2. PLC ± 0.13		WEIGHT 0.000000 A1 00779 C=794816		
3. PLC ± -		CUSTOMER DRAWING		
4. PLC ± -		SCALE 4:1 SHEET 1 OF 1 REV B2		
ANGLES ± 0° 30'				
FINISH -				

METRIC