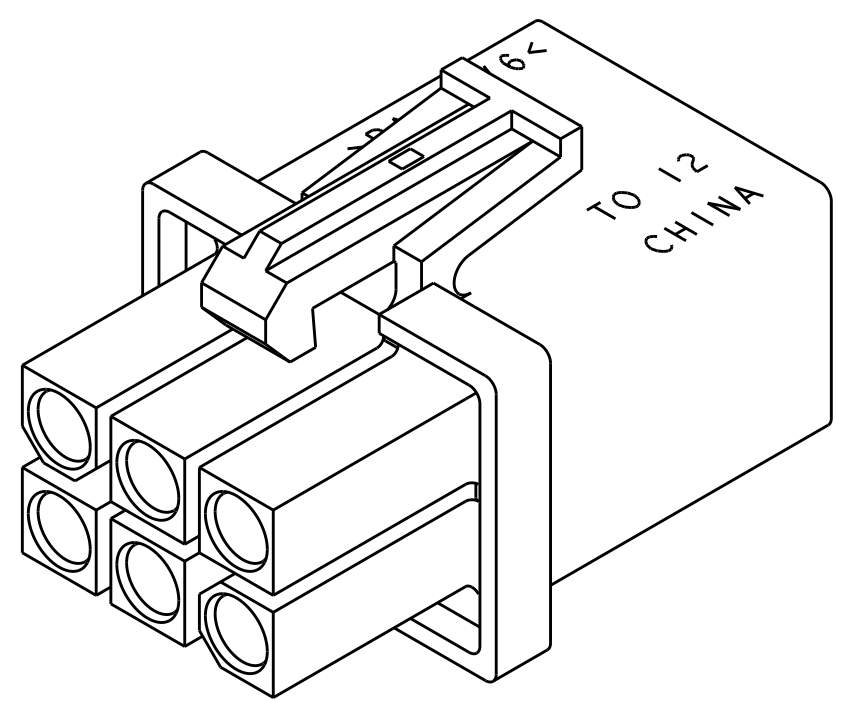
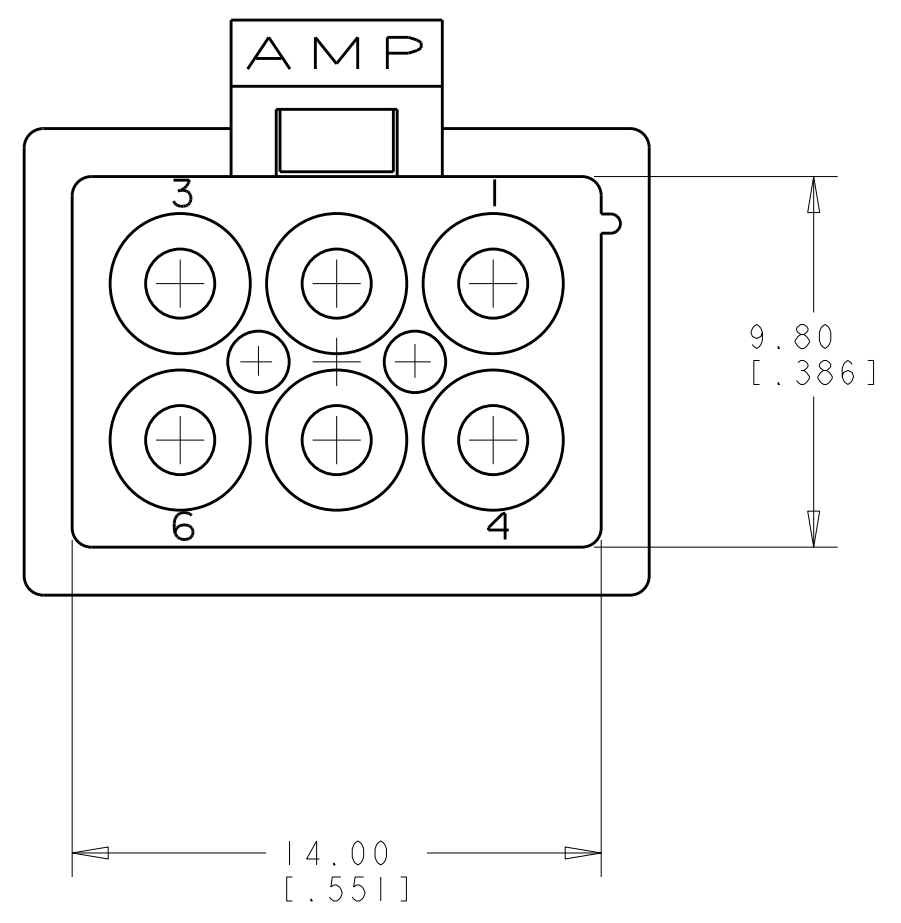
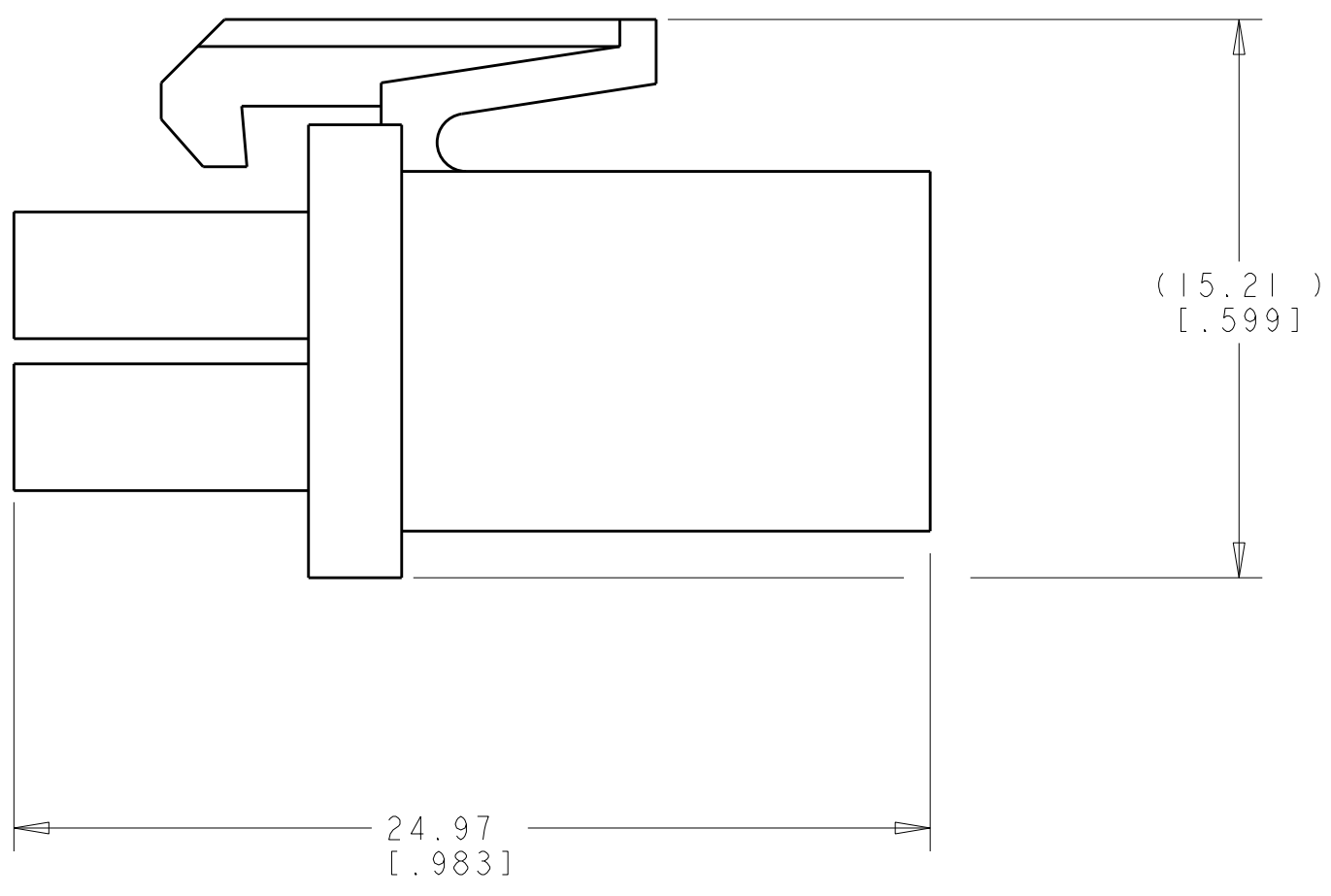
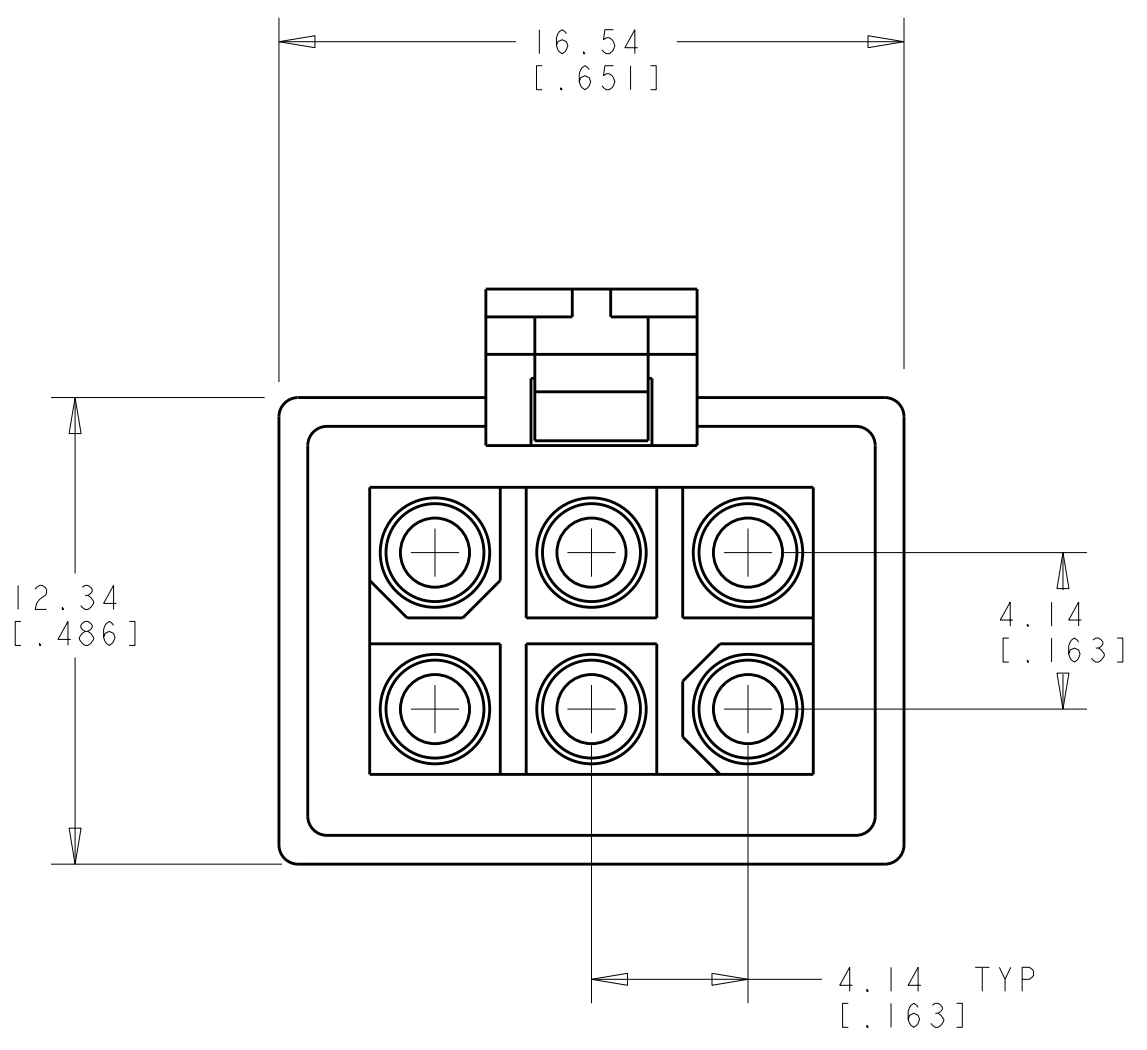


THIS DRAWING IS UNPUBLISHED. RELEASED FOR PUBLICATION 20
 © COPYRIGHT 20 BY - ALL RIGHTS RESERVED.

LOC		DIST		REVISIONS			
P	LTR	DESCRIPTION	DATE	DWN	APVD		
	C	REVISED PER ECR-12-017444	27NOV2017	BW	SG		

1. DIMENSIONS IN BRACKETS ARE IN INCHES.



3 DIMENSIONAL MODEL
SCALE 4:1

794895-1
PART NUMBER

THIS DRAWING IS A CONTROLLED DOCUMENT.		DWN K. WHITAKER 11-FEB-2001	TE Connectivity	
DIMENSIONS: mm [INCHES]		CHK C. JONES 11-FEB-2001		
TOLERANCES UNLESS OTHERWISE SPECIFIED:		APVD C. JONES 11-FEB-2001	NAME PLUG, 6 CIRCUIT, MINI UNIVERSAL MATE-N-LOK(TM)	
0 PLC ±-		PRODUCT SPEC	SIZE	
1 PLC ±-		APPLICATION SPEC	CAGE CODE	
2 PLC ±0.13 [.005]		WEIGHT	DRAWING NO	
3 PLC ±-		CUSTOMER DRAWING	A200779C-794895	
4 PLC ±-		SCALE 5:1	RESTRICTED TO	
ANGLES ±0°30'		SHEET 1 OF 1	REV C	
FINISH		MATERIAL NYLON, UL 94V-0, WHITE		