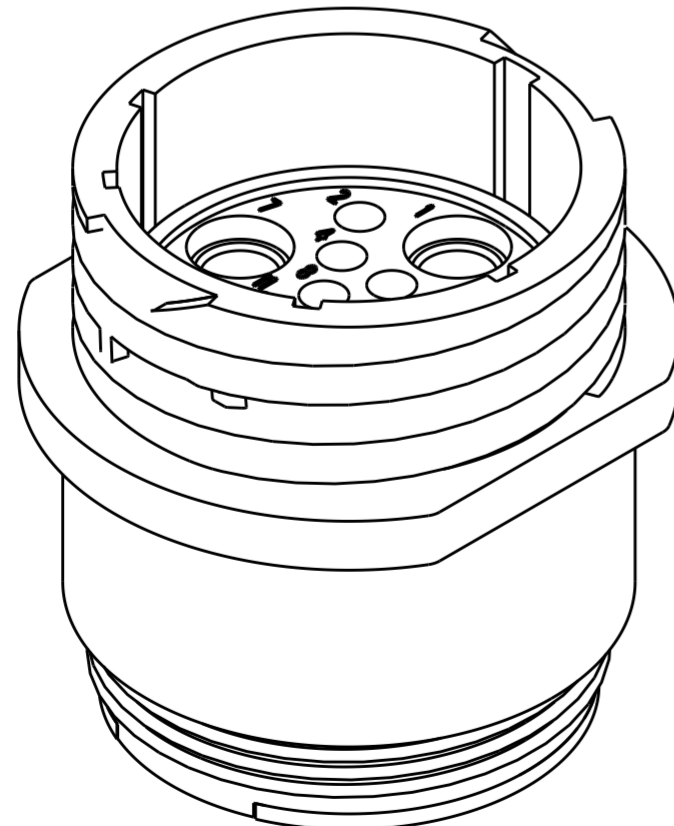
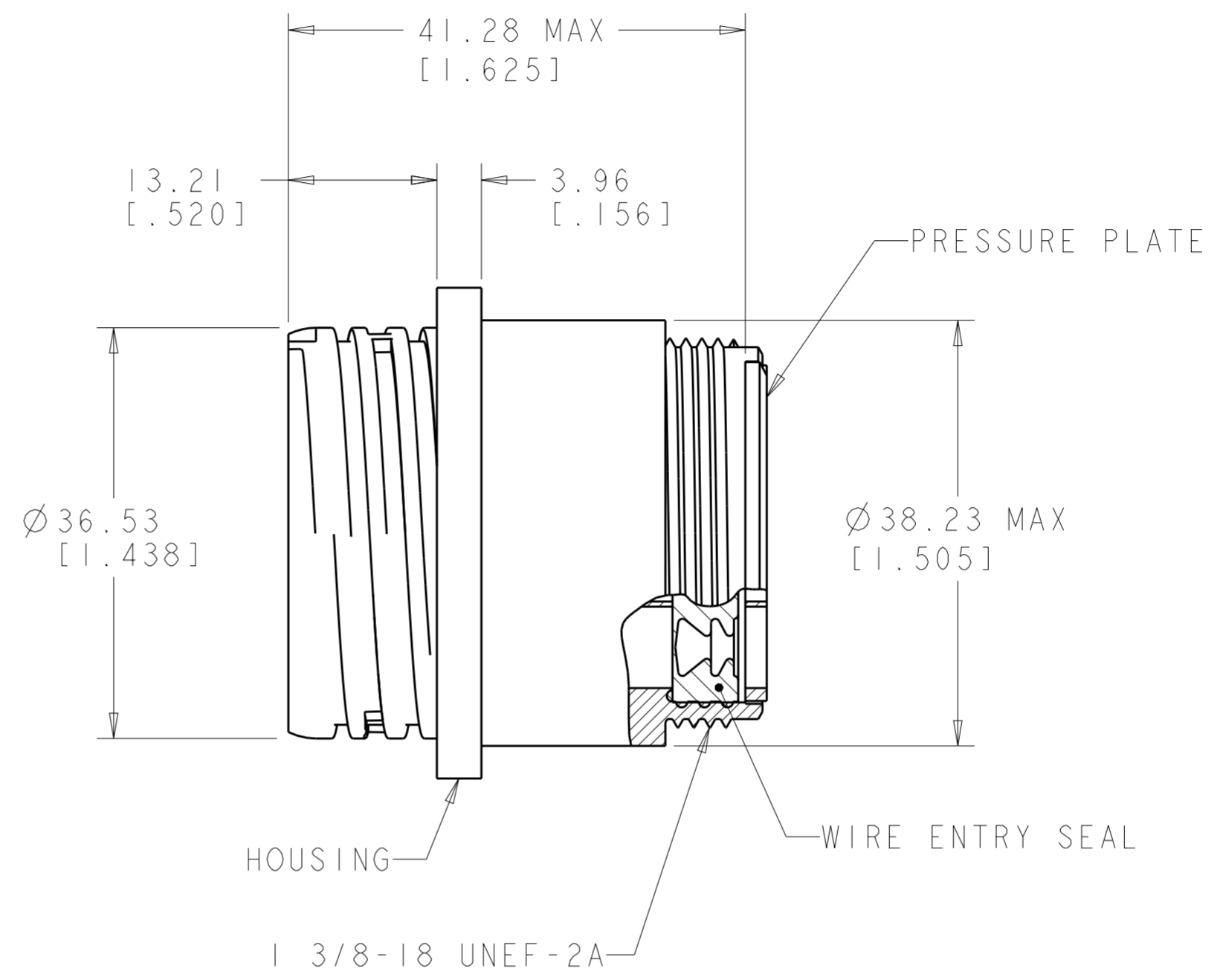
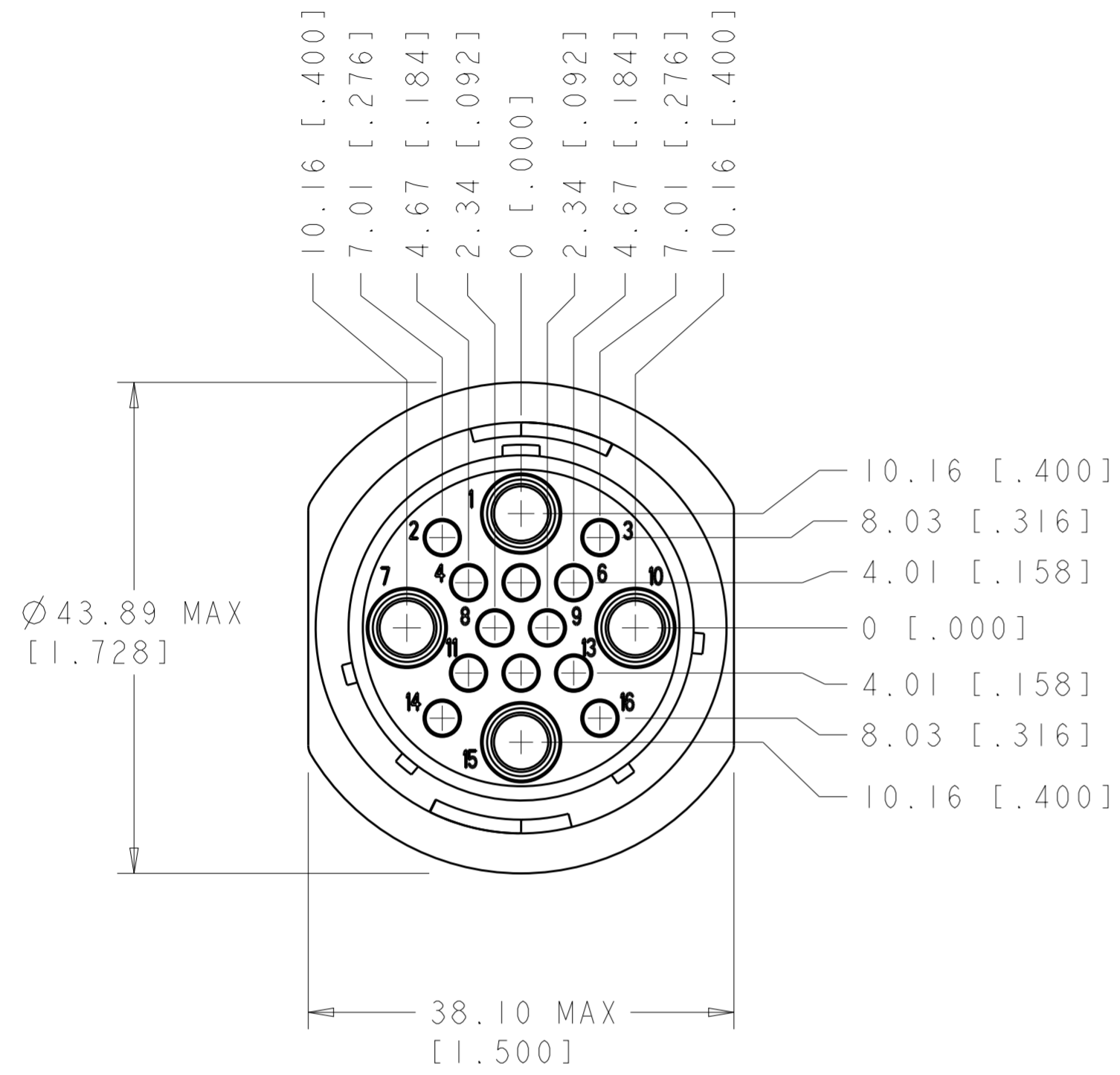


P	LTR	DESCRIPTION	DATE	DWN	APVD
0		RLSE NPR 5728, WAS 97-7970-1	09SEP99	SW	KD
A		REVISED PER ECO-19-011232	08AUG2019	RS	MZ



△ HOUSING & PRESSURE PLATE: NYLON, BLACK.
 WIRE ENTRY SEAL: ELASTOMER, RED-IRON OXIDE.
 PERIPHERAL SEAL: ELASTOMER, BLACK.
 2. WILL ACCEPT (12) MULTIMATE PINS AND (4) POWER MALE CONTACTS.

796207-1
 PART NUMBER

THIS DRAWING IS A CONTROLLED DOCUMENT.		DWN S. WELDON 09SEP99	TE Connectivity	NAME RECEPTACLE ASSY, SERIES 6, STANDARD SEX, SIZE 23-16, CIRCULAR PLASTIC CONNECTOR		
DIMENSIONS: mm [INCHES]		CHK K. DOWHOWER 09SEP99		PRODUCT SPEC 108-1579	SIZE A200779	CAGE CODE C-796207
TOLERANCES UNLESS OTHERWISE SPECIFIED:		APVD K. DOWHOWER 09SEP99		APPLICATION SPEC -	RESTRICTED TO -	
0 PLC ± 1 PLC ± 2 PLC ±0.02 3 PLC ± 4 PLC ± ANGLES ± FINISH -		MATERIAL △		WEIGHT -	SCALE 2:1	SHEET 1 OF 1
CUSTOMER DRAWING			REV A			