

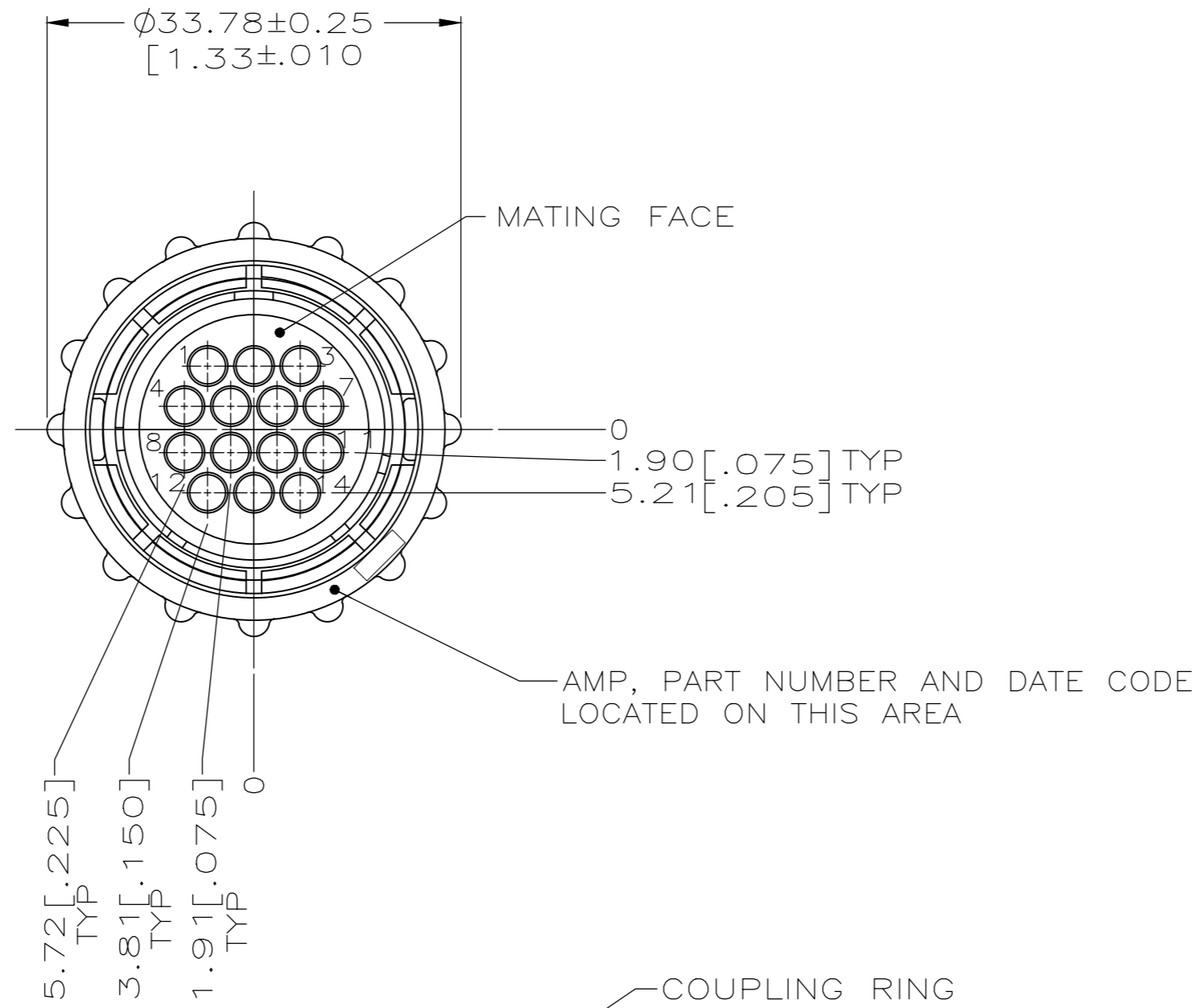
THIS DRAWING IS UNPUBLISHED. RELEASED FOR PUBLICATION  
 © COPYRIGHT - By - ALL RIGHTS RESERVED.

REVISIONS				
P	LTR	DESCRIPTION	DATE	APVD
D		REVISED PER ECO-18-007221	21MAY2018	KH MZ

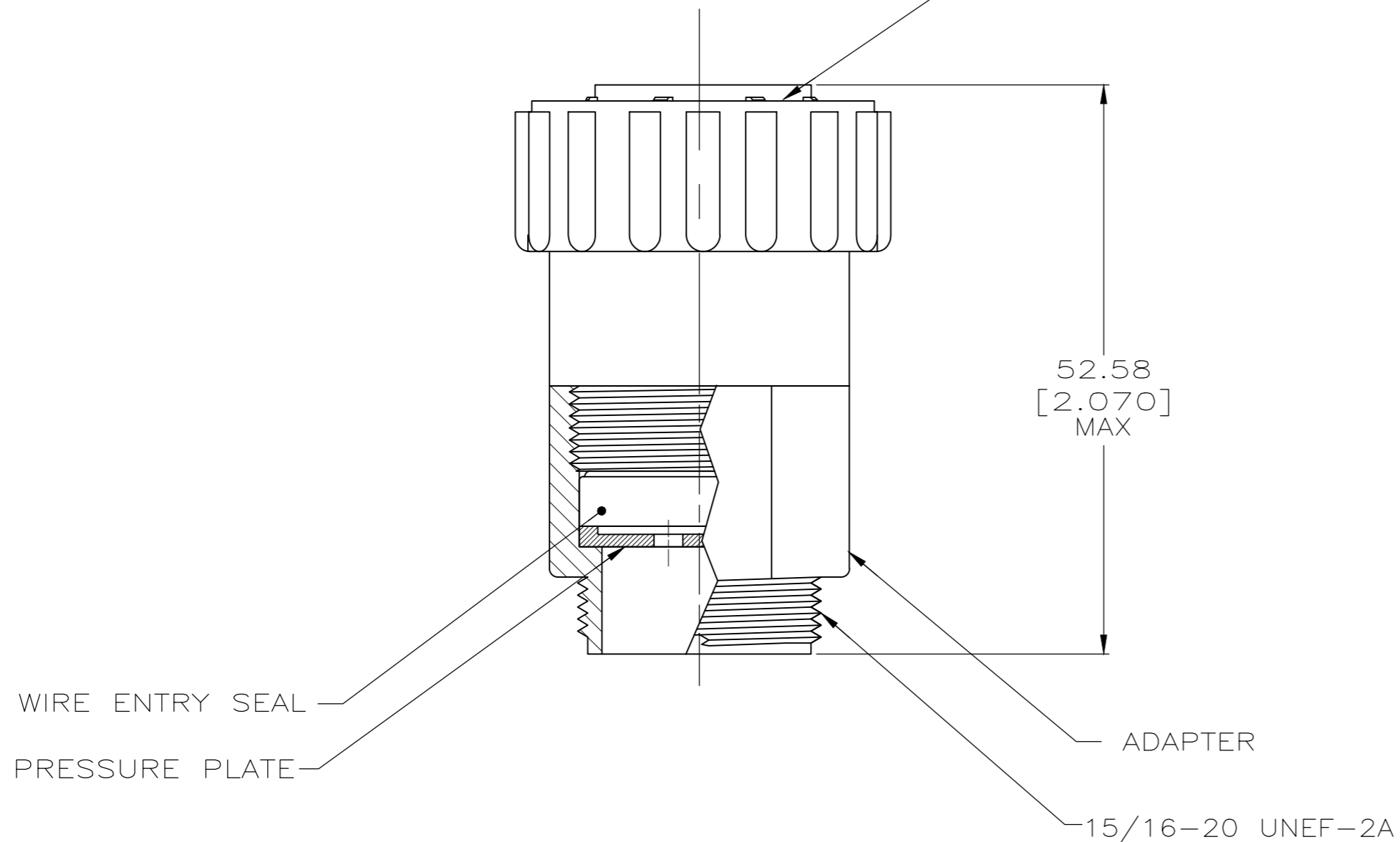
1 HOUSING, ADAPTER AND PRESSURE PLATE: NYLON, BLACK.  
 WIRE ENTRY SEAL: ELASTOMER, RED-IRON OXIDE.  
 PERIPHERAL SEAL: ELASTOMER, GREY.  
 COUPLING RING: POLYPHENYLENE, BLACK.

2 CONNECTOR WILL ACCEPT (14) MULTIMATE PIN CONTACTS.

3 METAL COUPLING RING.



COUPLING RING



3 OBSOLETE ~~796271-2~~  
~~796271-1~~  
 PART NUMBER

THIS DRAWING IS A CONTROLLED DOCUMENT.		DWN L. McEACHIN 27-JAN-2000	TE Connectivity Ltd.	
DIMENSIONS: mm		CHK K. DOWHOWER 27-JAN-2000		
TOLERANCES UNLESS OTHERWISE SPECIFIED:		APVD K. DOWHOWER 27-JAN-2000	NAME ASSEMBLY, PLUG, REV SEX, 17-14, SEALED	
0 PLC ± -	1 PLC ± -	PRODUCT SPEC	SIZE A2	CAGE CODE 00779
2 PLC ± -	3 PLC ± -	APPLICATION SPEC	DRAWING NO C=796271	RESTRICTED TO -
4 PLC ± -	ANGLES ± -		SCALE 2:1	SHEET 1 of 1
MATERIAL 1	FINISH -	WEIGHT 0	CUSTOMER DRAWING	REV D