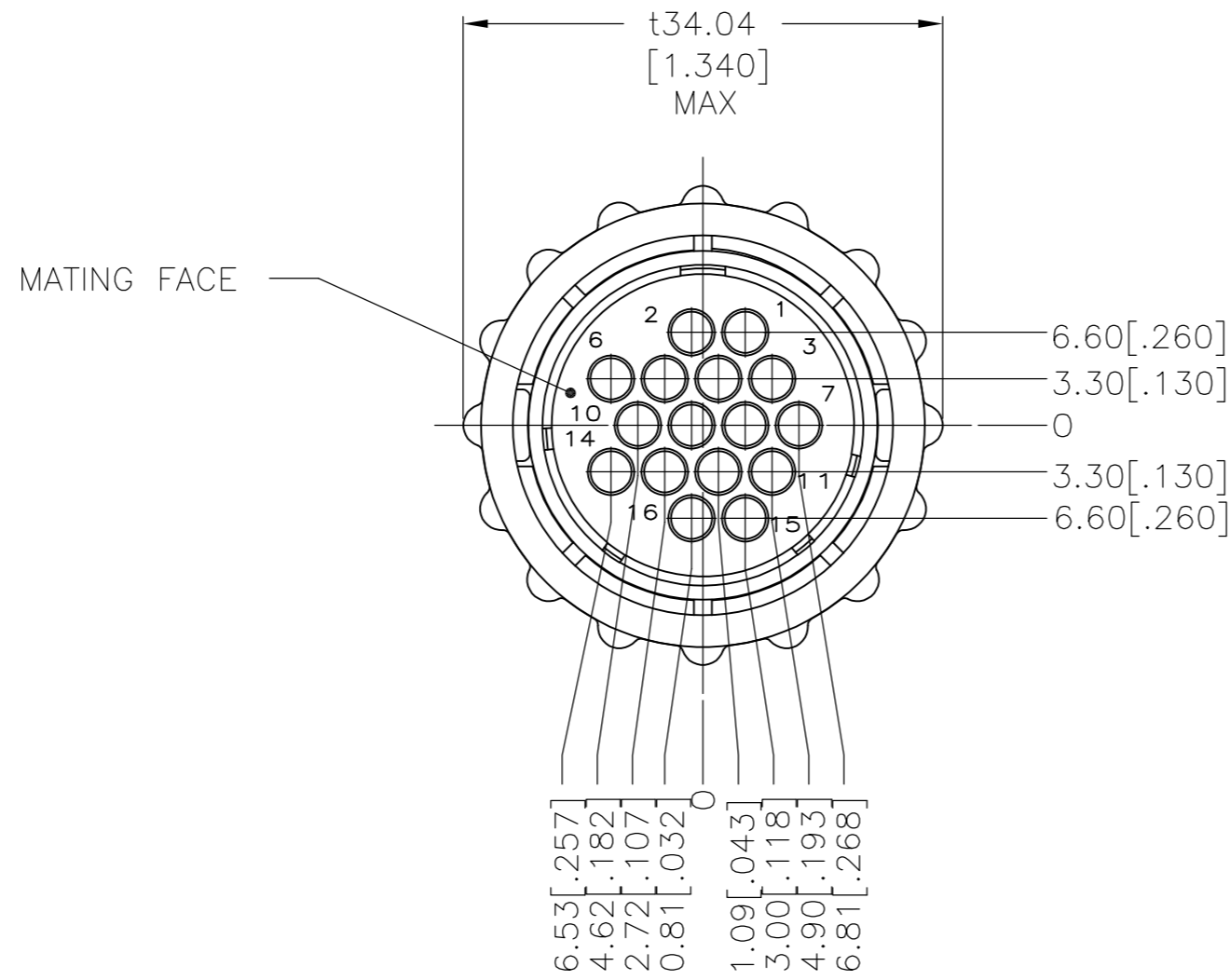
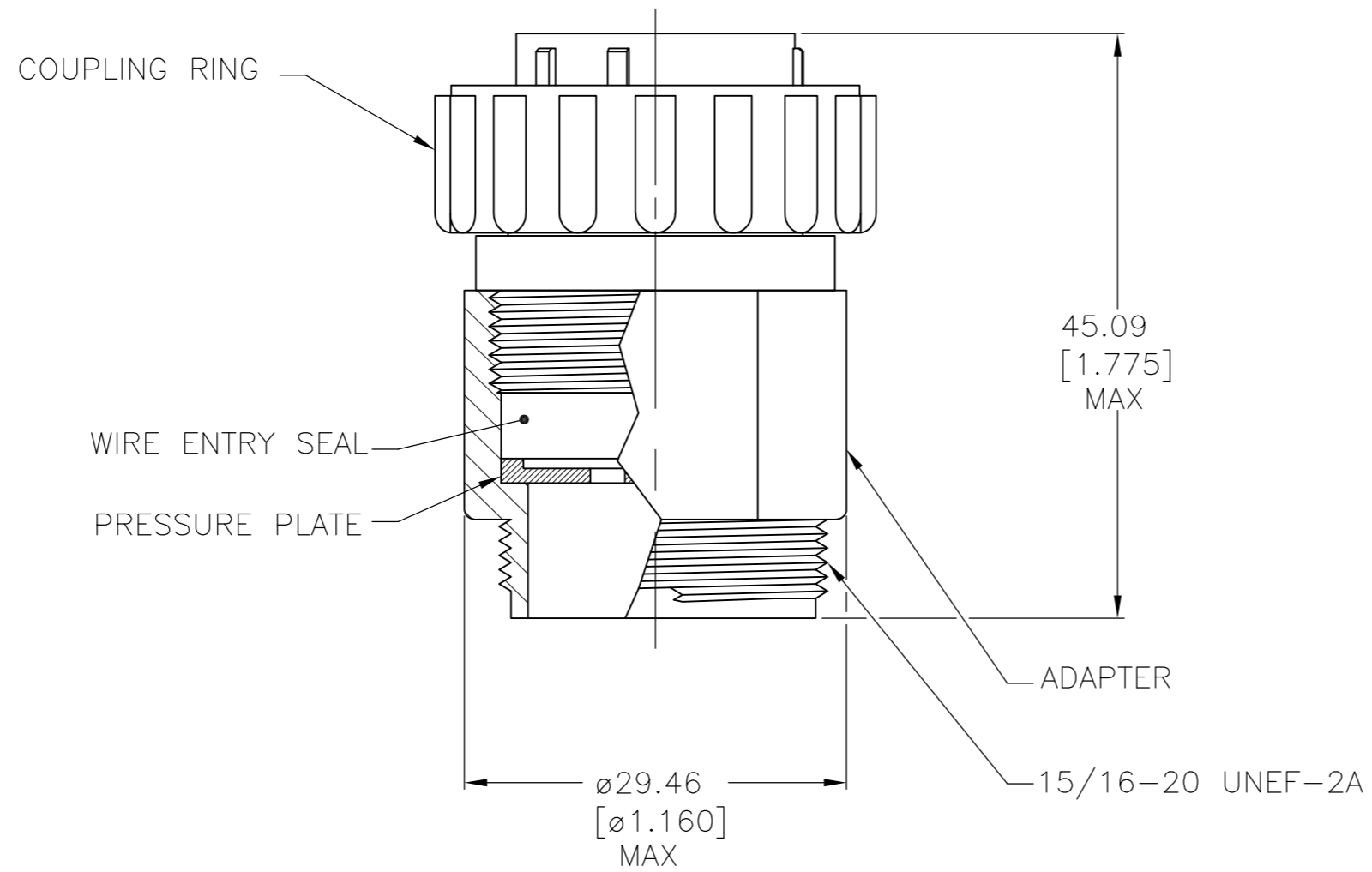


THIS DRAWING IS UNPUBLISHED. RELEASED FOR PUBLICATION  
 © COPYRIGHT - By - ALL RIGHTS RESERVED.

REVISIONS				
P	LTR	DESCRIPTION	DATE	APVD
E2		REVISED PER ECO-16-004800	10SEP2016	NK MZ
F		REVISED PER ECO-16-006378	03NOV2016	RS MZ



- 1 HOUSING, ADAPTER AND PRESSURE PLATE: NYLON, BLACK.  
WIRE ENTRY SEAL: ELASTOMER, SEE TABLE.  
COUPLING RING: POLYPHENYLENE, BLACK.
- 2 CONNECTOR WILL ACCEPT (16) MULTIMATE SOCKET CONTACTS.
- 3 HOUSING, ADAPTOR AND COUPLING RING MATERIAL: POLYESTER, PBT.
- 4 METAL COUPLING RING.



4	OBSOLETE	RED-IRON OXIDE	.065 - .100	STANDARD	—796274-4—
3	OBSOLETE	YELLOW	.040 - .080	SMALL	—796274-3—
1		YELLOW	.040 - .080	SMALL	796274-2
1		RED-IRON OXIDE	.065 - .100	STANDARD	796274-1
		SEAL COLOR	WIRE INSULATION DIAMETER RANGE	INSULATION	PART NUMBER

THIS DRAWING IS A CONTROLLED DOCUMENT.		DWN L. McEACHIN 27-JAN-2000																										
DIMENSIONS: mm [INCHES]		CHK K. DOWHOWER 27-JAN-2000																										
TOLERANCES UNLESS OTHERWISE SPECIFIED:		APVD K. DOWHOWER 27-JAN-2000	NAME ASSEMBLY, PLUG, STANDARD SEX, 17-16, STANDARD OR SMALL INSULATION DIA., SEALED																									
<table border="1"> <tr><td>0</td><td>PLC</td><td>±</td><td>-</td></tr> <tr><td>1</td><td>PLC</td><td>±</td><td>-</td></tr> <tr><td>2</td><td>PLC</td><td>±</td><td>-</td></tr> <tr><td>3</td><td>PLC</td><td>±</td><td>-</td></tr> <tr><td>4</td><td>PLC</td><td>±</td><td>-</td></tr> <tr><td></td><td>ANGLES</td><td>±</td><td>-</td></tr> </table>		0	PLC	±	-	1	PLC	±	-	2	PLC	±	-	3	PLC	±	-	4	PLC	±	-		ANGLES	±	-	PRODUCT SPEC —	SIZE A2	CAGE CODE 00779
0	PLC	±	-																									
1	PLC	±	-																									
2	PLC	±	-																									
3	PLC	±	-																									
4	PLC	±	-																									
	ANGLES	±	-																									
MATERIAL —		FINISH —	WEIGHT —	DRAWING NO C=796274																								
CUSTOMER DRAWING			SCALE 2:1	SHEET 1 of 1																								
			REV F	RESTRICTED TO —																								