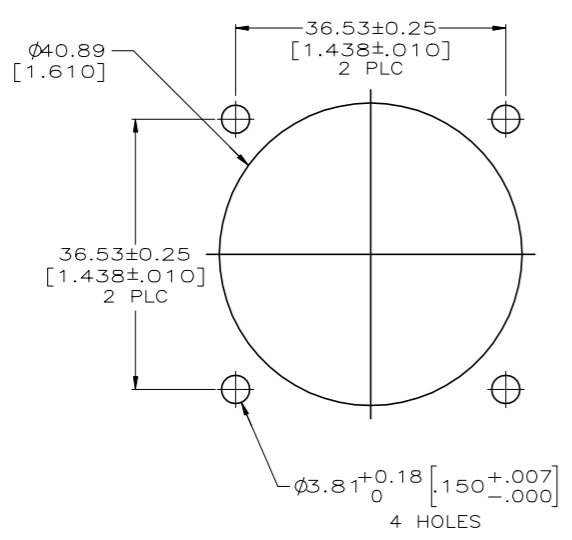
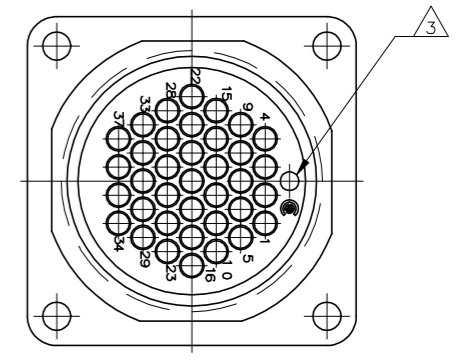
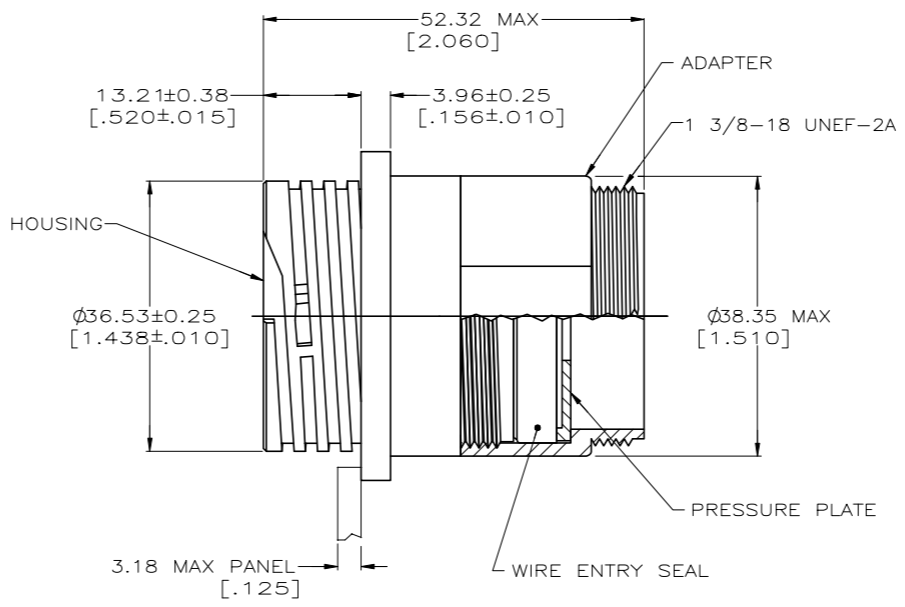
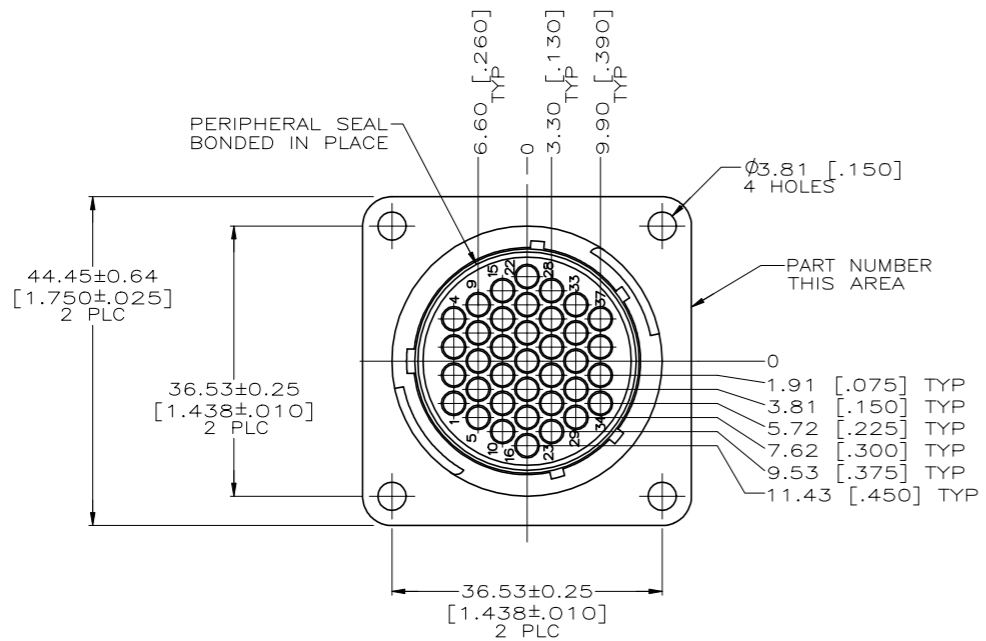


THIS DRAWING IS UNPUBLISHED. RELEASED FOR PUBLICATION  
 © COPYRIGHT - By - ALL RIGHTS RESERVED.

REVISIONS				
#	LTR	DESCRIPTION	DATE	DNW APVD
B		REVISED PER ECO-11-019033	20SEP11	KH MZ
C		REVISED PER ECO-19-011232	06AUG2019	RS MZ



RECOMMENDED PANEL CUTOUT

- 1 ADAPTER AND HOUSING: NYLON, BLACK.  
WIRE ENTRY SEAL: ELASTOMER, RED-IRON OXIDE.  
PERIPHERAL SEAL: ELASTOMER, BLACK.
- 2. CONNECTOR WILL ACCEPT (37) MULTIMATE PIN CONTACTS.
- 3 ORIENTATION HOLE USED IN THE MANUFACTURING PROCESS ONLY.  
THIS HOLE IS NOT INTENDED FOR WIRE INSERTION.

796286-1  
PART NUMBER

THIS DRAWING IS A CONTROLLED DOCUMENT.		DNW 11 NOV 98	TE Connectivity
DIMENSIONS: INCHES		CHK K.DOWHWOR 15NOV99	
TOLERANCES UNLESS OTHERWISE SPECIFIED:		APVD K.DOWHWOR 15NOV99	NAME
0 PLC ± -	1 PLC ± -	PRODUCT SPEC	RCPT ASSEMBLY, SIZE 23-37, STANDARD SEX, SQUARE FLANGE, SEALED CIRCULAR PLASTIC CONNECTOR
2 PLC ± 0.1X(.005)	3 PLC ± -	APPLICATION SPEC	108-1579
4 PLC ± -	ANGLES ± -	SIZE	A1
MATERIAL	FINISH	WEIGHT	CAGE CODE DRAWING NO
1	-	-	00779 C=796286
CUSTOMER DRAWING		SCALE 2:1	SHEET 1 OF 1 REV C