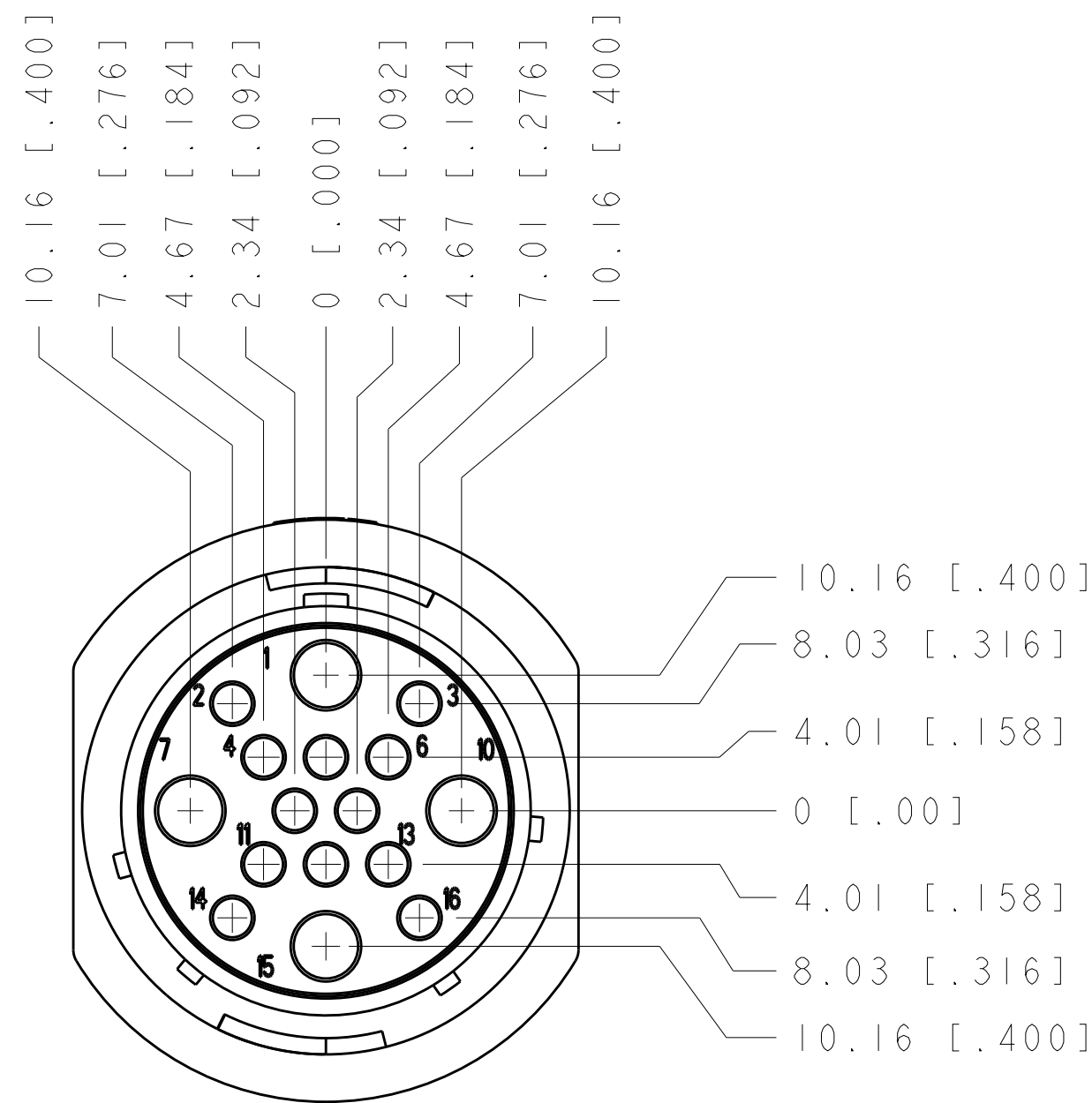
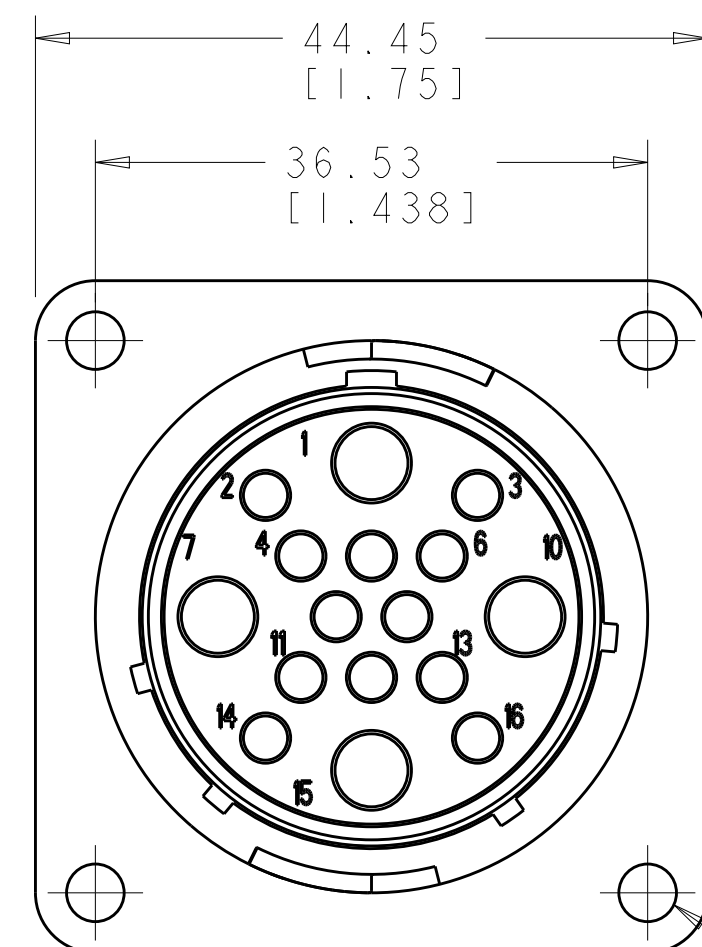


P	LTR	DESCRIPTION	DATE	DWN	APVD
E		REVISED EC 0G3B-0155-05	23MAY2005	SW	SH
F		ADDED -3, ECO-06-013943	22JUN2006	SW	SH
G		REVISED PER ECR-16-016548	27FEB2017	RS	MZ
H		REVISED PER ECO-19-011232	08AUG2019	RS	MZ

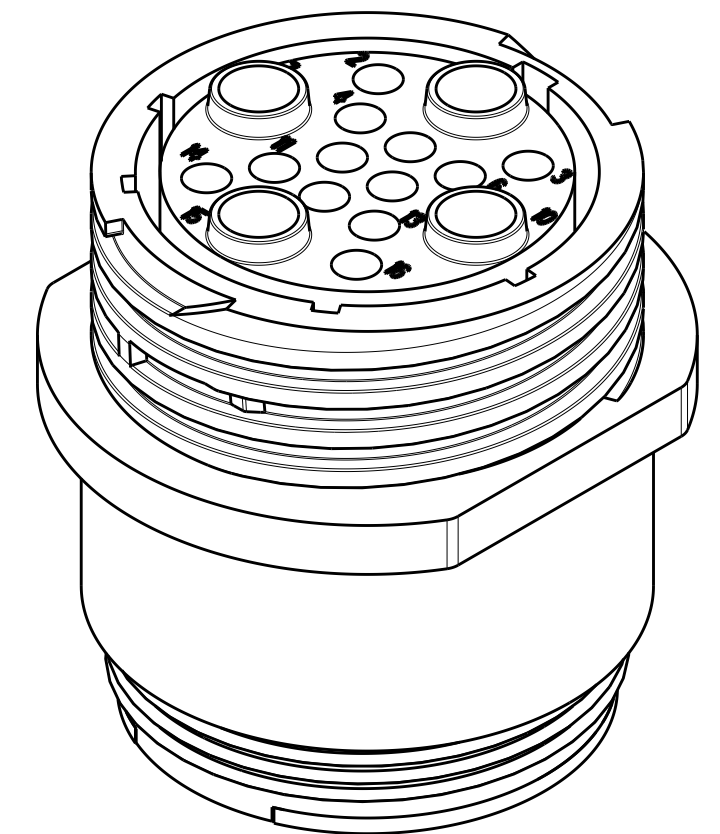
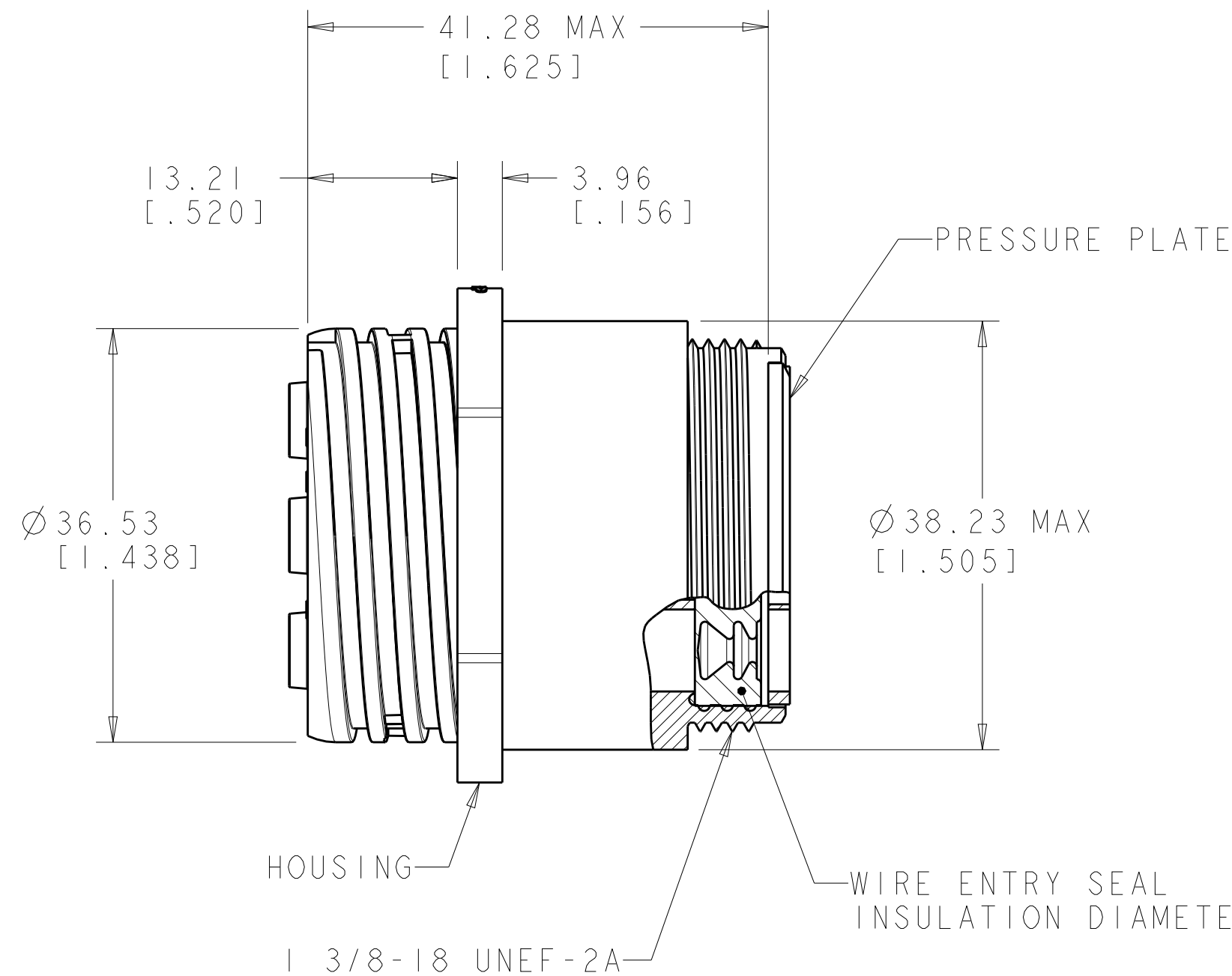


FREE-HANGING VERSION



SQUARE FLANGE VERSION

THREADED INSERT  
QTY: 4, SEE TABLE



1 HOUSING & PRESSURE PLATE: NYLON, BLACK.  
WIRE ENTRY SEAL: ELASTOMER, RED-IRON OXIDE.  
PERIPHERAL SEAL: ELASTOMER, BLACK.

2. CONNECTOR WILL ACCEPT (12) MULTIMATE SOCKET  
AND (4) POWER SOCKET CONTACTS.

OBSOLETE	.095-.205	NO	SQUARE FLANGE	796330-3
OBSOLETE	.150-.260	YES	SQUARE FLANGE	796330-2
	.095-.205	NO	FREE-HANGING	796330-1
	INSULATION DIAMETER	THREADED INSERT	HOUSING VERSION	PART NUMBER

THIS DRAWING IS A CONTROLLED DOCUMENT.

DWN	S. WELDON	13DEC1999
CHK	J. ENGLE	13DEC1999
APVD	J. ENGLE	13DEC1999
PRODUCT SPEC	108-1579	
APPLICATION SPEC		
WEIGHT		
CUSTOMER DRAWING	SCALE 2:1	SHEET 1 OF 1

**STE** TE Connectivity

NAME: RECEPTACLE ASSY, SERIES 6, REVERSE SEX, SIZE 23-16 CIRCULAR PLASTIC CONNECTOR

SIZE: A2 CAGE CODE: 00779 DRAWING NO: C-796330 RESTRICTED TO: H