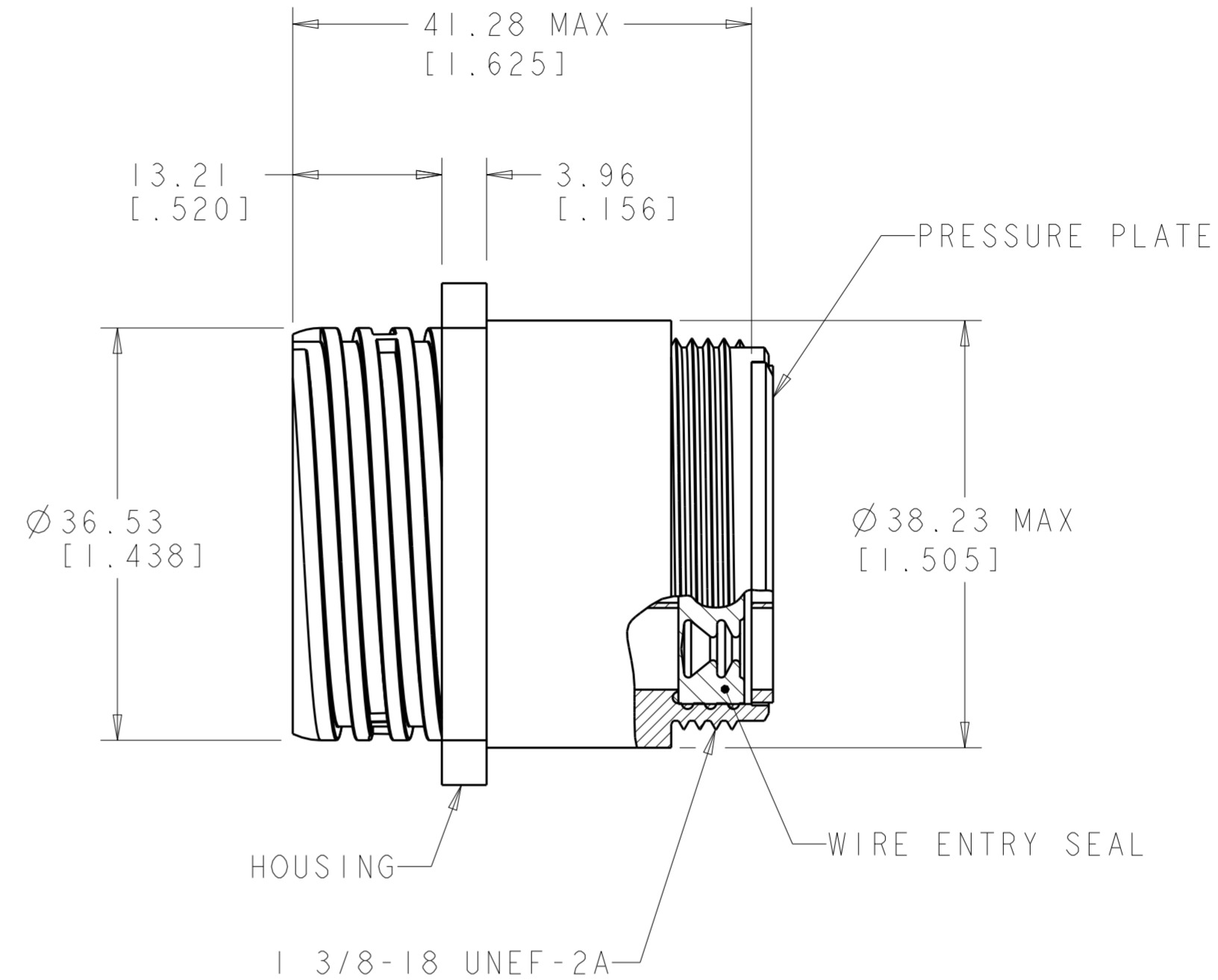
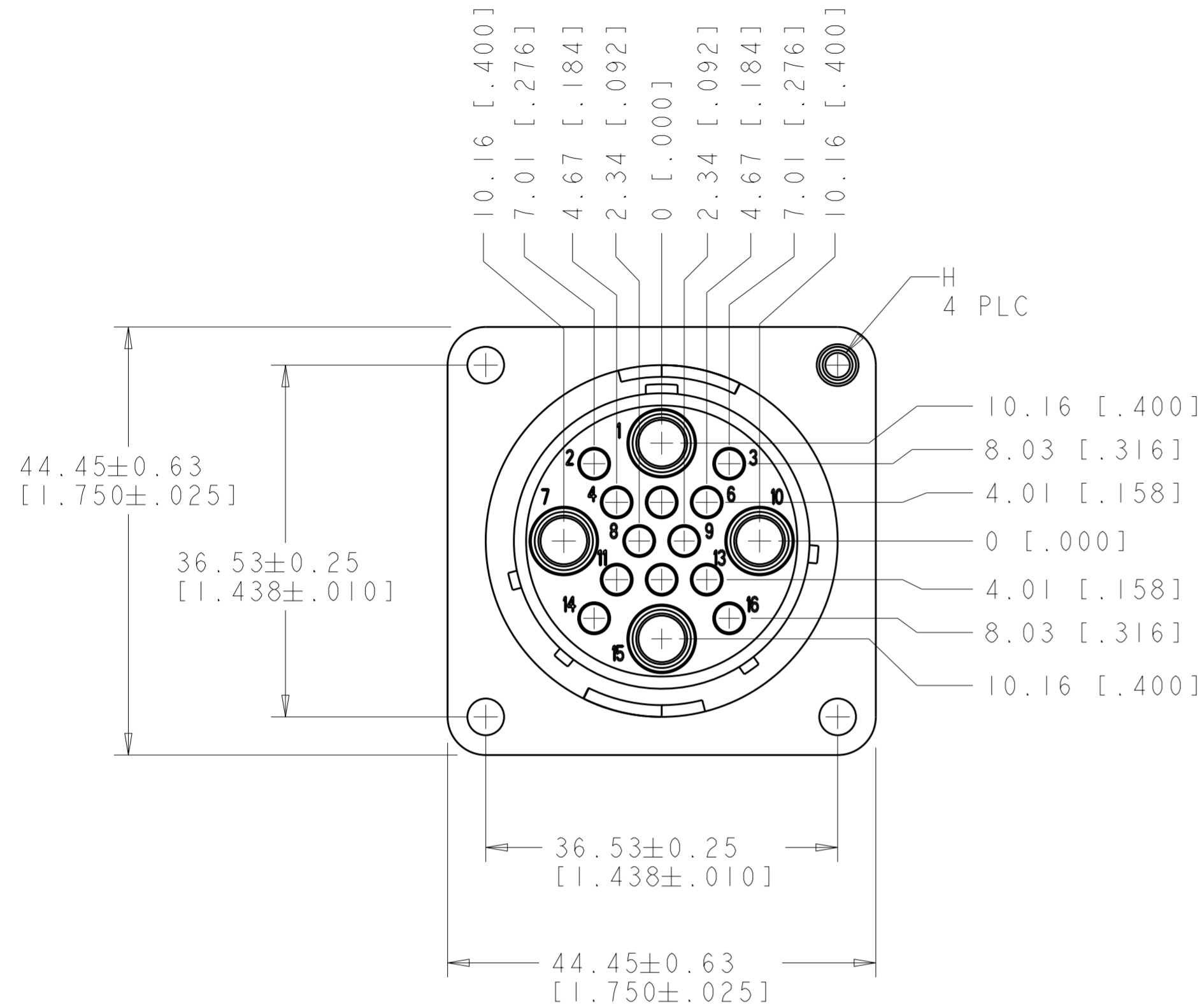
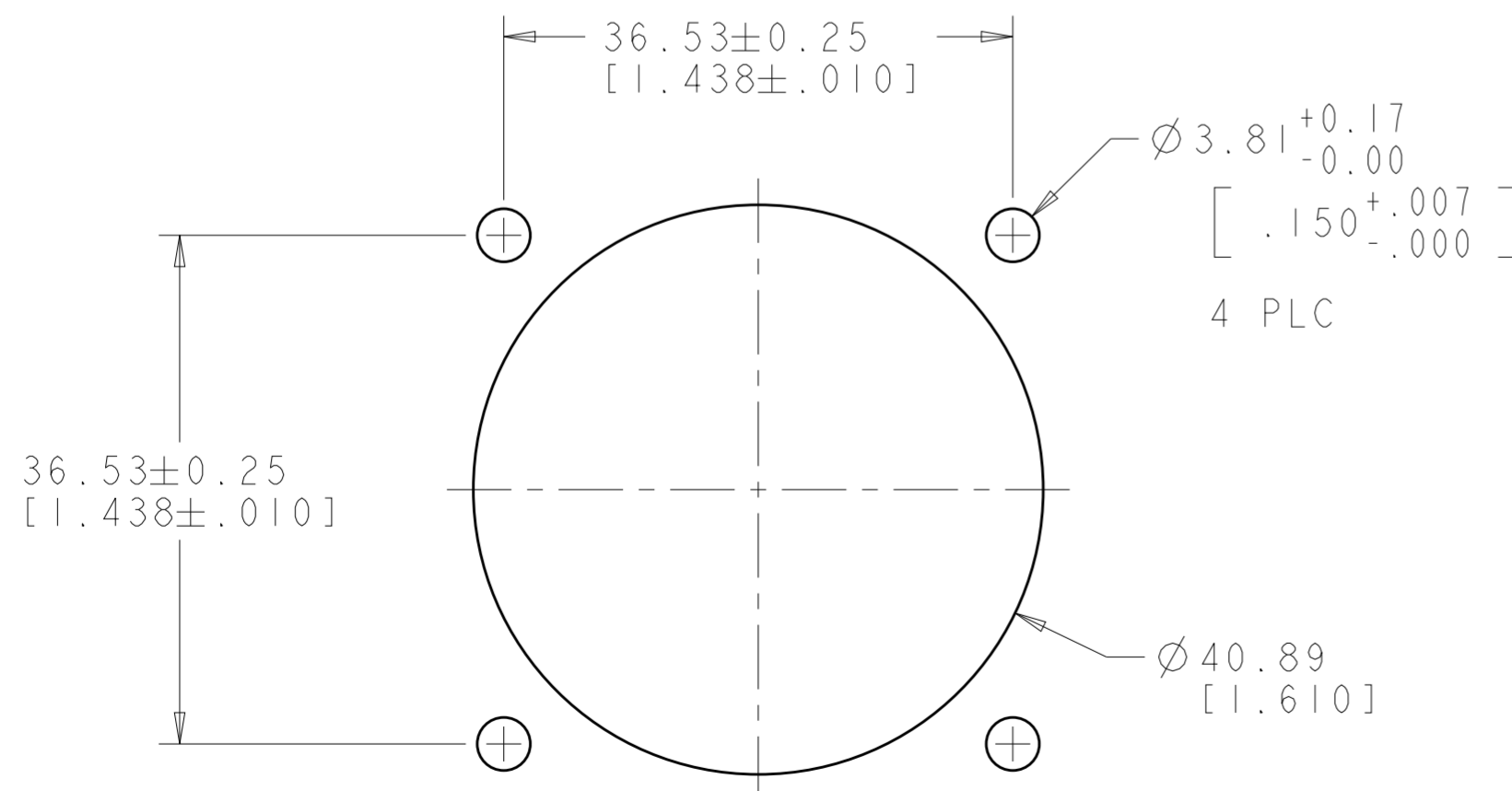


REVISIONS				
P	LTR	DESCRIPTION	DATE	APVD
B2		REVISED PER ECO-16-004800	08SEP2016	NK MZ
C		REVISED PER ECO-19-011232	08AUG2019	RS MZ



- 1 HOUSING & PRESSURE PLATE: NYLON, BLACK.  
WIRE ENTRY SEAL: ELASTOMER, RED-IRON OXIDE.  
PERIPHERAL SEAL: ELASTOMER, BLACK.
- 2. WILL ACCEPT (12) MULTIMATE PINS AND (4) POWER MALE CONTACTS.
- 3 OBSOLETE PARTS: OBSOLETE CIS STREAMLINING PER D.RENAUD/D.SINISI



RECOMMENDED PANEL CUTOUT

3	OBSOLETE	POWER	$3.81 \pm 0.07$ [.150 ± .003]	796466-3
	OBSOLETE	STD	W/ THREADED INSERTS	796466-2
		STD	$3.81 \pm 0.07$ [.150 ± .003]	796466-1
		WIRE ENTRY SEAL	H	PART NUMBER

DIMENSIONS:		TOLERANCES UNLESS OTHERWISE SPECIFIED:		DWN S. WELDON 10MAY00		CHK K. DOWHOWER 10MAY00		APVD K. DOWHOWER 10MAY00		NAME	
mm	[INCHES]	0 PLC	±	PRODUCT SPEC	108-1579	RECEPTACLE ASSY, SERIES 6, STANDARD SEX, SIZE 23-16, CIRCULAR PLASTIC CONNECTOR					
		1 PLC	±	APPLICATION SPEC	-	SIZE	A200779	CAGE CODE	C-796466	DRAWING NO	RESTRICTED TO
		2 PLC	±0.02	WEIGHT	-	SCALE	2:1	SHEET	1	OF	1
		3 PLC	±	CUSTOMER DRAWING							REV
		4 PLC	±								C
		ANGLES	±								
		FINISH	±								