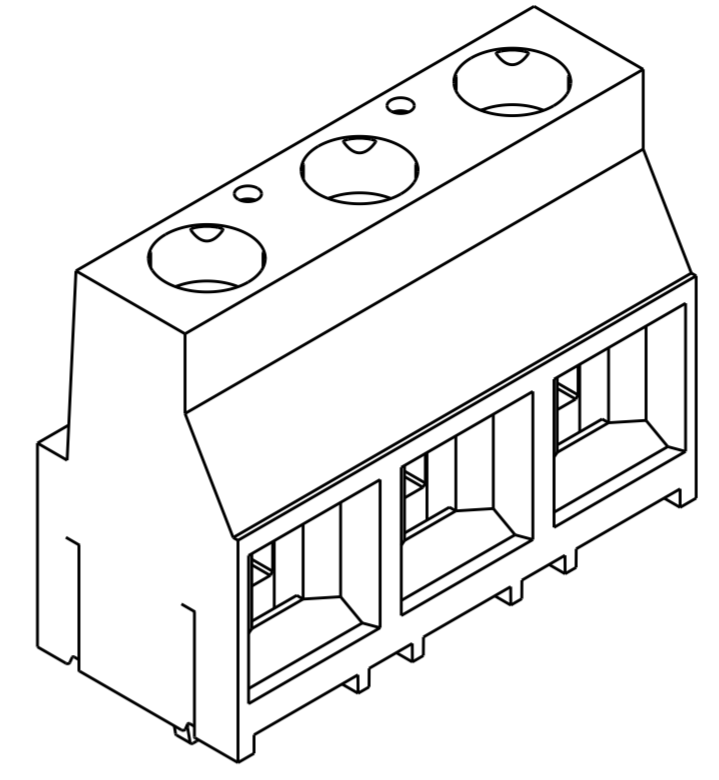
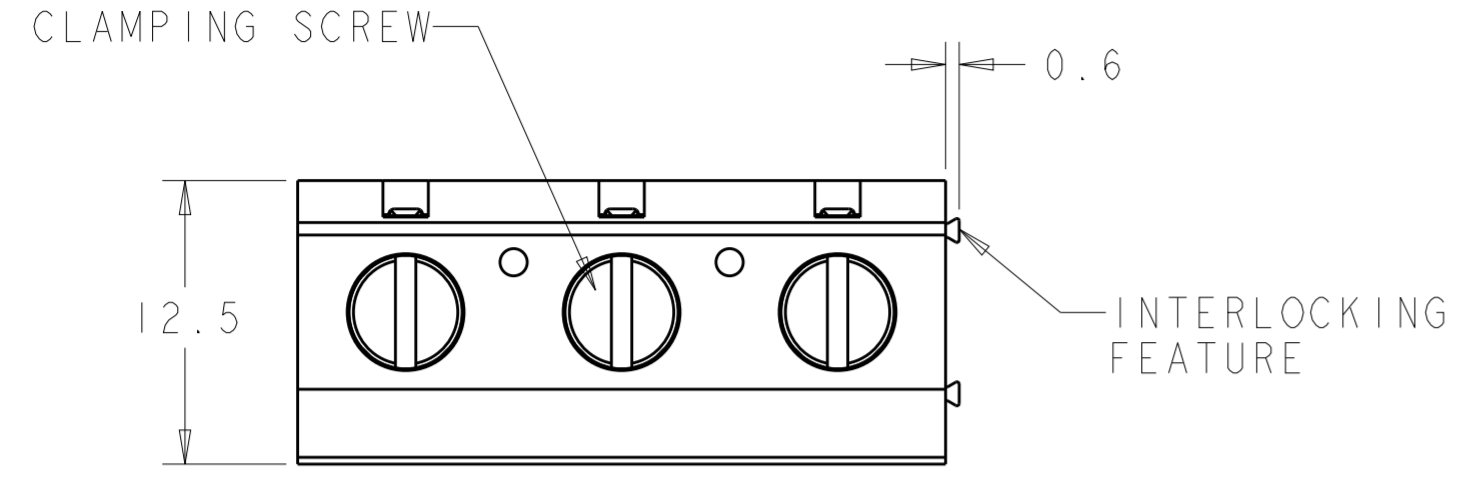


THIS DRAWING IS UNPUBLISHED. RELEASED FOR PUBLICATION 20
 © COPYRIGHT 20 BY - ALL RIGHTS RESERVED.

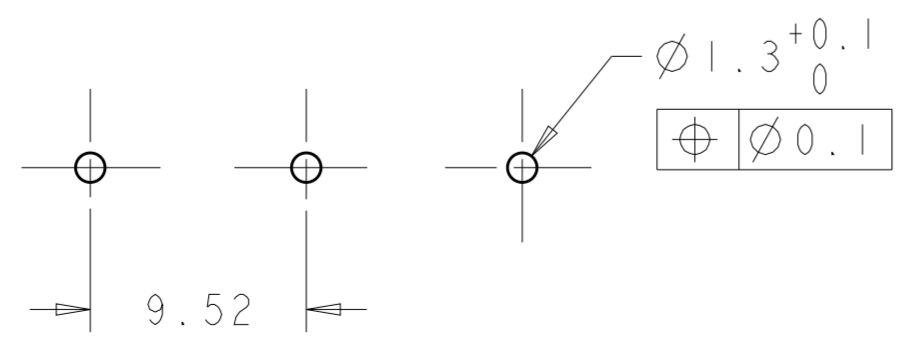
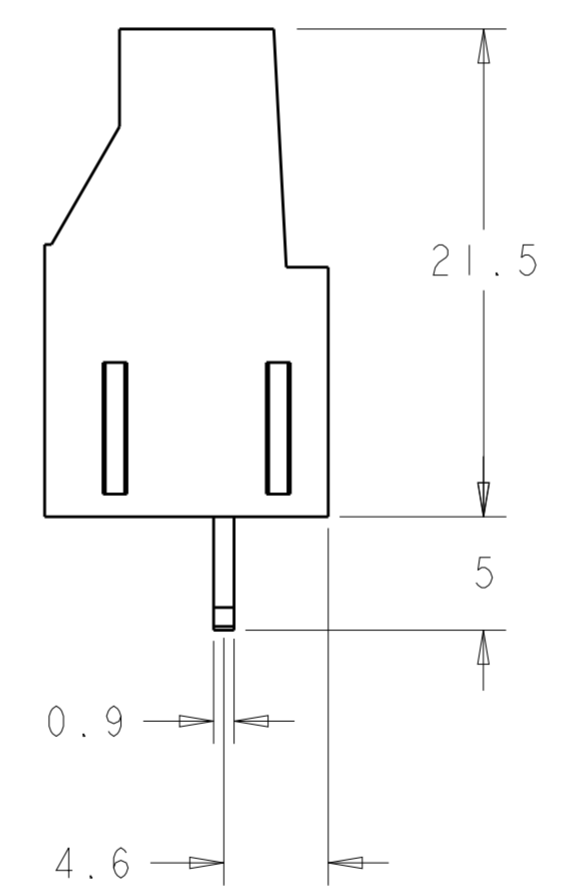
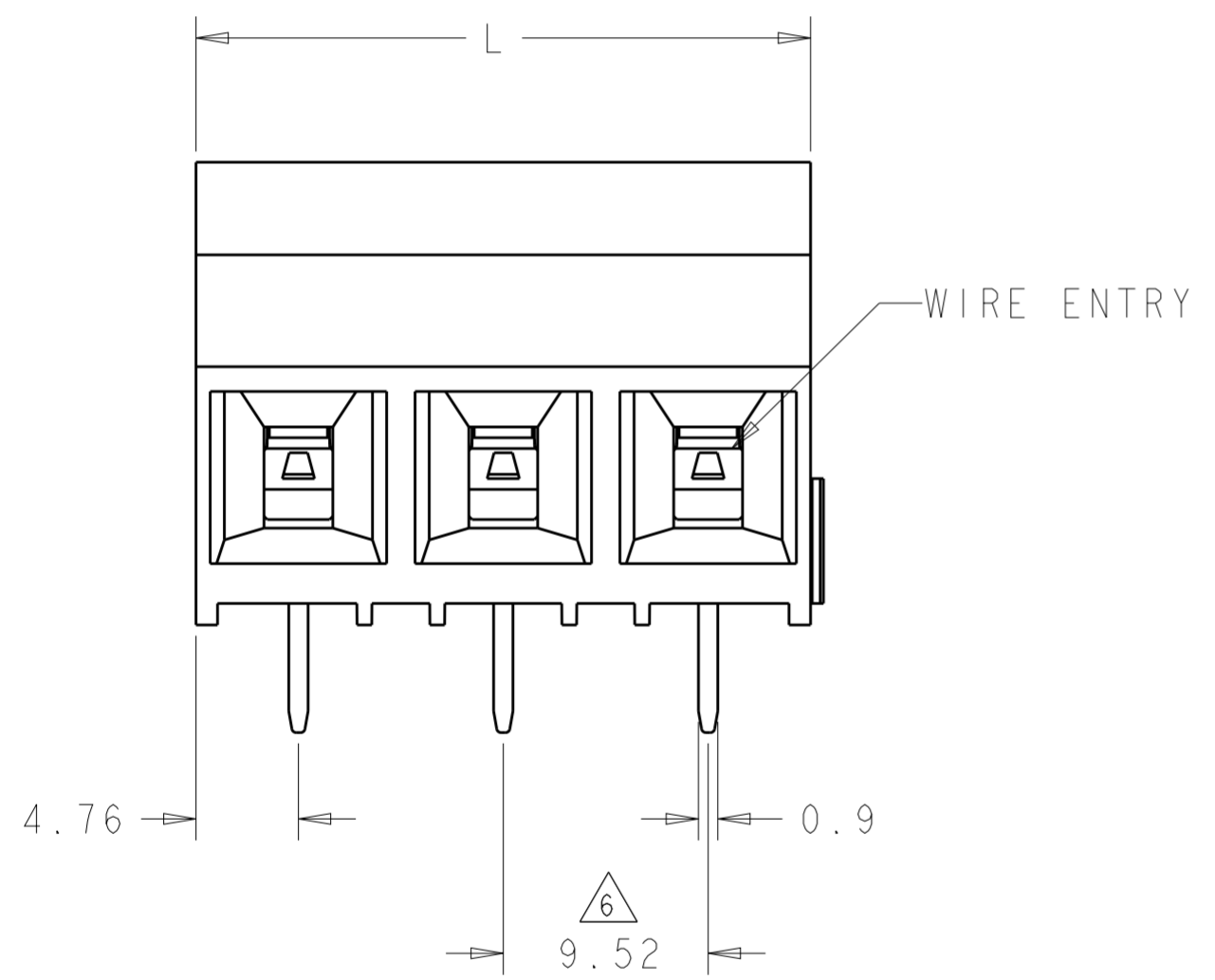
REVISIONS				
P	LTR	DESCRIPTION	DATE	APVD
C		PACKAGING CHANGED FROM BLACK POLYURETHANE SPONGE TO TRAY	12MAR2018	RK PS



796739-3 AS SHOWN

NOTES:

- MATERIALS AND FINISH
 HOUSING: PA 6-6, UL 94-V0, COLOR GREEN
 CLAMP: BRASS, NICKEL PLATED.
 CLAMPING SCREW: M3.5, BRASS, NICKEL PLATED.
 TERMINAL: BRASS, TIN PLATED.
- MECHANICAL
 WIRE STRIPPING LENGTH : 7.0-8.0 mm
 MIN. PC BOARD HOLES DIAMETER : 1.3 mm
 MAX. PC BOARD THICKNESS : 4 mm
 RECOMMENDED TIGHTENING TORQUE FOR SCREW : 0.8 Nm.
- ELECTRICAL
 WIRE RANGE : 10-30 AWG
 MAX. VOLTAGE : 600 V
 MAX CURRENT : 30 A
 CONTACT RESISTANCE : <15 m Ohm
 INSULATION RESISTANCE : >1000 M Ohm (500V DC)
- END-TO-END STACKABLE W/INTERLOCK, WITHOUT LOSS OF CENTERLINE SPACING.
- RECOGNIZED UNDER THE COMPONENT PROGRAM OF UNDERWRITERS LABORATORY INC. FILE No. E60677.
- NOT CUMULATIVE TOLERANCE.
- PARTS LARGER THAN 3 POSITION ARE MADE FROM INTERLOCKING 2 OR 3 POSITION PARTS TOGETHER.
- PACKED IN TRAY.



RECOMMENDED PC BOARD LAYOUT

AR	796739-2 796739-3	95.20	10	1-796739-0
2	796739-2	38.08	4	796739-4
-	-	28.56	3	796739-3
-	-	19.04	2	796739-2
QTY	PART NO			
MAKE FROM $\triangle 7$		L	NO OF POSN	PART NUMBER

THIS DRAWING IS A CONTROLLED DOCUMENT.		DWN E. ZANOLINI 02MAR2001	STE TE Connectivity	
DIMENSIONS: mm		CHK E. ZANOLINI 02MAR2001		
TOLERANCES UNLESS OTHERWISE SPECIFIED:		APVD D. BIEVENOUR 02MAR2001	NAME	
0 PLC ±0.15		PRODUCT SPEC	TERMINAL BLOCK, PCB MOUNT	
1 PLC ±0.2		APPLICATION SPEC	SIDE WIRE ENTRY, HIGH CURRENT	
2 PLC ±0.2		WEIGHT	W/INTERLOCK, 9.52mm PITCH	
3 PLC ±		SCALE	SIZE	CAGE CODE
4 PLC ±		3:1	A2	00779
ANGLES ±2		SHEET	DRAWING NO	REV
FINISH		1	C-796739	C
MATERIAL SEE NOTES	SEE NOTES	CUSTOMER DRAWING	RESTRICTED TO	